



HYOSUNG

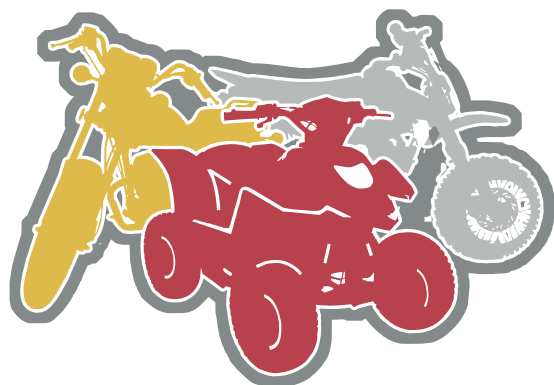


GV 250

Aquila

Euro 3

Reservevedele



ScanMI **APS**

SCANDINAVIAN MACHINERY IMPORT

Skovbyvej 99, Skovby

6470 Sydals

Telefon: +45 73 15 11 00

Fax: +45 73 15 11 01

E-mail: info@scanmi.dk

www.scanmi.dk

CVR: 27 73 31 07

REFERENCE

1.The detailed specifications of each model are referred by the persons who are in charge of overseas marketing team, Hyosung.

2.Special demand

When you order any colored parts including Fuel tank, please add color code to the end of parts number and it will be helpful to register your parts order.

※ Color code(2008)

0MS : BLACK + SILVER

0SD : BLUE + SILVER

00N : BLACK + ORANGE

0PM : BLACK + RED

※ Color code(2009)

0BK : BLACK

0SN : BLACK + SILVER

0RN : BLACK + RED

HYOSUNG

FIG 1-1

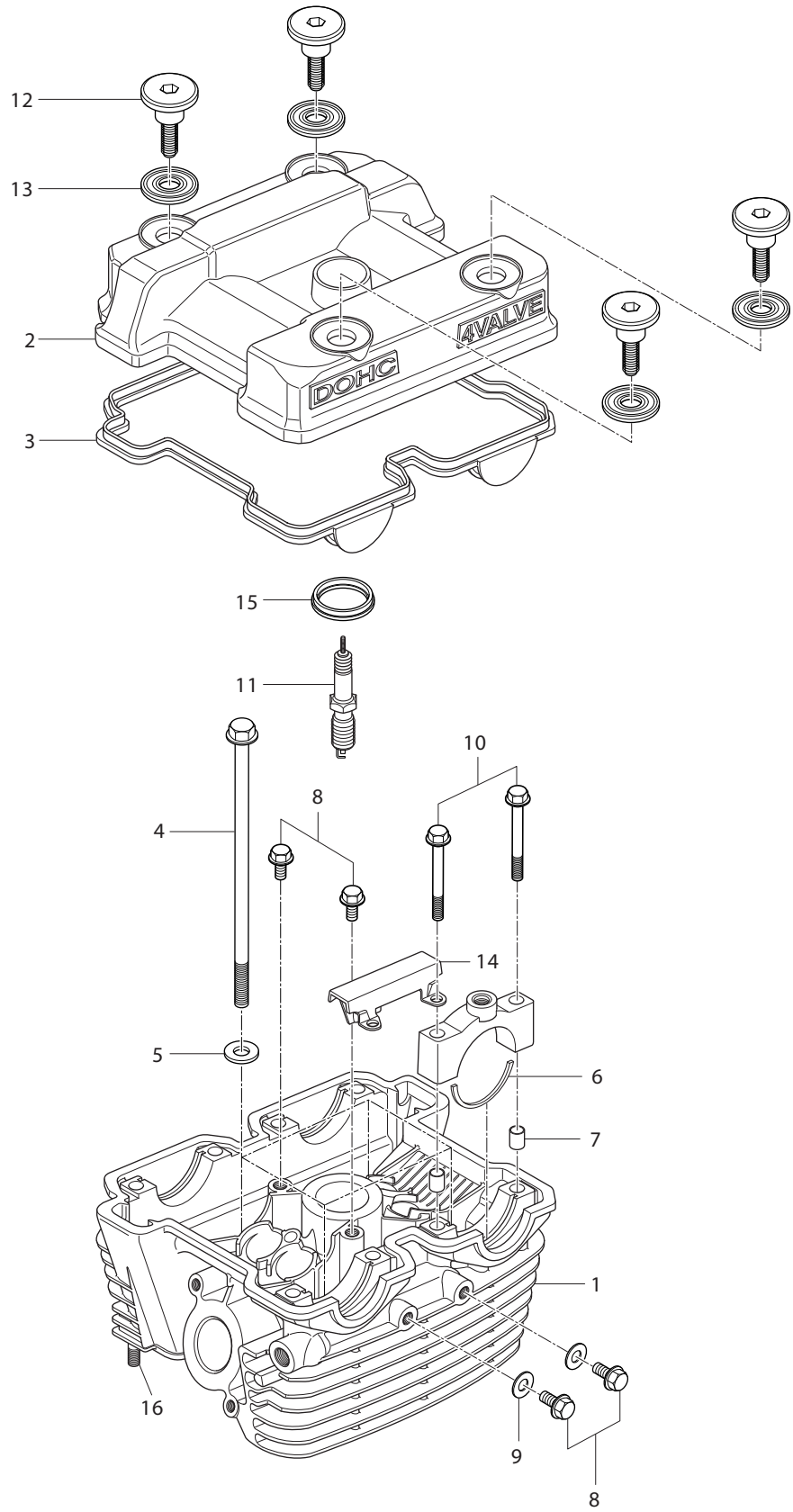


FIG 1-1. CYLINDER HEAD/(FRONT)

REF. NO.	GV250 - FI (2008)		GV250N - EI (2009)			PARTS NAME	Q'TY (PCS)	REMARKS
	7EU01/7G01/7S01	8EN01	9EU01/9F01/9G01	8EN01	9EG02			
1	11110SJ8600HPA	11110SJ8600HPA	11110SJ8600HPA	11110SJ8600HPA	11110SJ8600HPA	HEAD ASS'Y, cylinder	1	
2	11171HG510203P	11171HG510203P	11171HG510203P	11171HG510203P	11171HG510203P	COVER ,cylinder head	1	
3	11173HG5100	11173HG5100	11173HG5100	11173HG5100	11173HG5100	GASKET,cylinder head cover NO.1	1	
4	09103H08306	09103H08306	09103H08306	09103H08306	09103H08306	BOLT, cylinder head L=130	4	
5	09103H08306	09103H08306	09103H08306	09103H08306	09103H08306	GASKET, cylinder head bolt	4	
6	09168-08021	09168-08021	09168-08021	09168-08021	09168-08021	C-RING, camshaft	4	
7	09206-08001	09206-08001	09206-08001	09206-08001	09206-08001	PIN, camshaft housing knock	8	
8	01517-06128	01517-06128	01517-06128	01517-06128	01517-06128	BOLT, oil galley	4	
9	09168H06009	09168H06009	09168H06009	09168H06009	09168H06009	GASKET,oil galley bolt	2	
10	09103-06013	09103-06013	09103-06013	09103-06013	09103-06013	BOLT, camshaft housing	8	
11	09482-00456	09482-00456	09482-00456	09482-00456	09482-00456	PLUG,spark CR8E	1	
12	09109H07018	09109H07018	09109H07018	09109H07018	09109H07018	BOLT, cylinder head cover	4	
13	09161H11008	09161H11008	09161H11008	09161H11008	09161H11008	WASHER , cylinder head cover	4	
14	12782-35C00	12782-35C00	12782-35C00	12782-35C00	12782-35C00	GUIDE , camchain NO.2	1	
15	11178-17E00	11178-17E00	11178-17E00	11178-17E00	11178-17E00	GASKET, cylinder head cover NO.2	1	
16	01421-06258	01421-06258	01421-06258	01421-06258	01421-06258	BOLT,cylinder head stud(M6)	3	

FIG 1-2

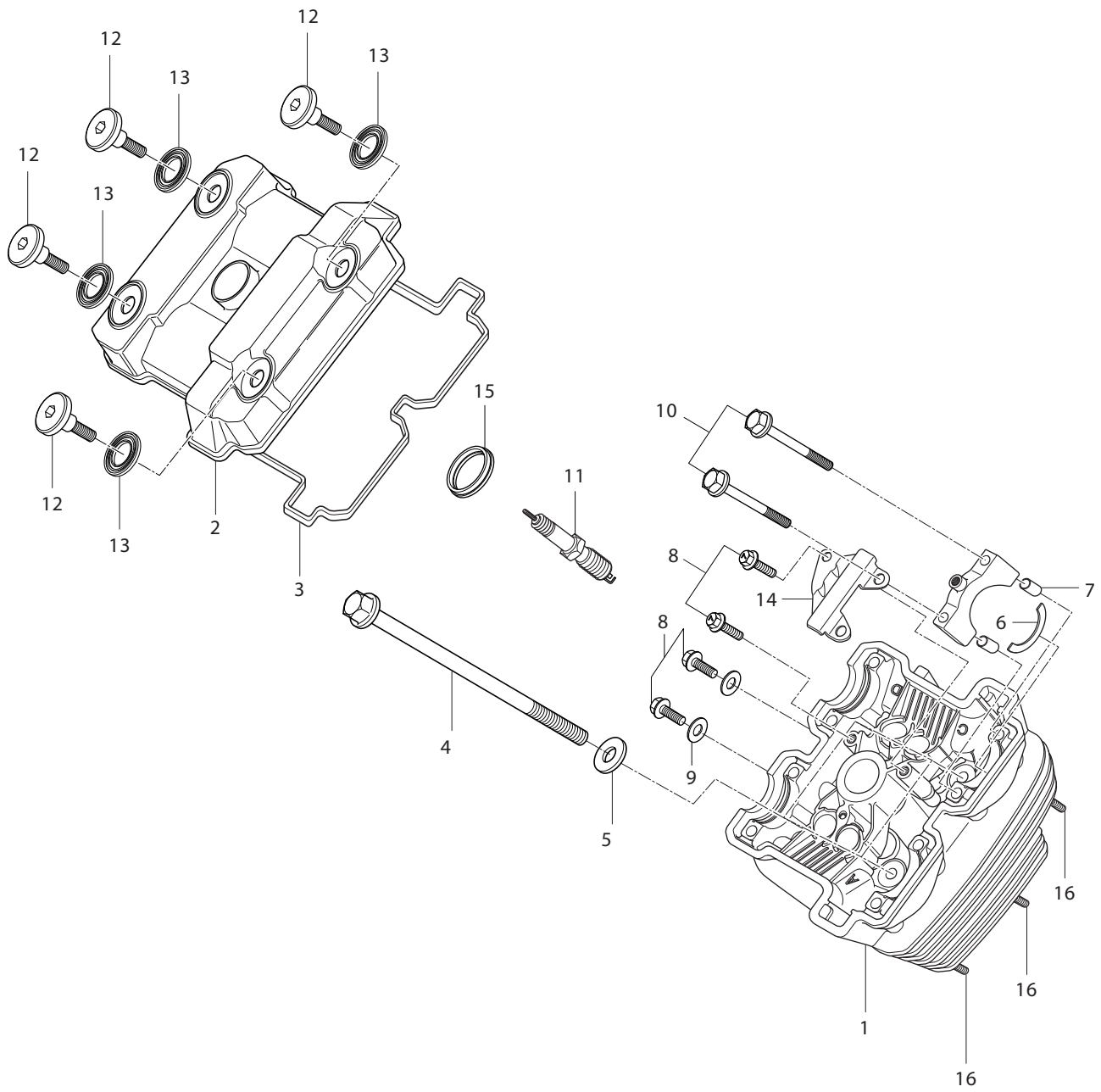


FIG 1-2. CYLINDER HEAD/(REAR)

REF. NO.	GV250 - FI (2008)		GV250N - EI (2009)			PARTS NAME	Q'TY (PCS)	REMARKS
	7EU01/7G01/7S01	8EN01	9EU01/9F01/9G01	8EN01	9EG02			
1	11110SJ8690HPA	11110SJ8690HPA	11110SJ8690HPA	11110SJ8690HPA	11110SJ8690HPA	HEAD ASS'Y, cylinder	1	
2	11171HG510203P	11171HG510203P	11171HG510203P	11171HG510203P	11171HG510203P	COVER ,cylinder head	1	
3	11173HG5100	11173HG5100	11173HG5100	11173HG5100	11173HG5100	GASKET,cylinder head cover NO.1	1	
4	09103H08306	09103H08306	09103H08306	09103H08306	09103H08306	BOLT, cylinder head L=130	4	
5	09168-08021	09168-08021	09168-08021	09168-08021	09168-08021	GASKET, cylinder head bolt	4	
6	09390-35001	09390-35001	09390-35001	09390-35001	09390-35001	C-RING, camshaft	4	
7	09206-08001	09206-08001	09206-08001	09206-08001	09206-08001	PIN, camshaft housing knock	8	
8	01517-06128	01517-06128	01517-06128	01517-06128	01517-06128	BOLT, oil galley	4	
9	09168H06009	09168H06009	09168H06009	09168H06009	09168H06009	GASKET,oil galley bolt	2	
10	09103-06013	09103-06013	09103-06013	09103-06013	09103-06013	BOLT, camshaft hou ing	8	
11	09482-00456	09482-00456	09482-00456	09482-00456	09482-00456	PLUG,spark C 8E	1	
12	09109H07018	09109H07018	09109H07018	09109H07018	09109H07018	BOLT, cylinder head cover	4	
13	09161H11008	09161H11008	09161H11008	09161H11008	09161H11008	WASHER , cylinder head cover	4	
14	12782-35C00	12782-35C00	12782-35C00	12782-35C00	12782-35C00	GUIDE , camchain NO.2	1	
15	11178-17E00	11178-17E00	11178-17E00	11178-17E00	11178-17E00	GASKET, cylinder head cover NO.2	1	
16	01421-06258	01421-06258	01421-06258	01421-06258	01421-06258	BOLT,cylinder head tud(M6)	3	

FIG 2

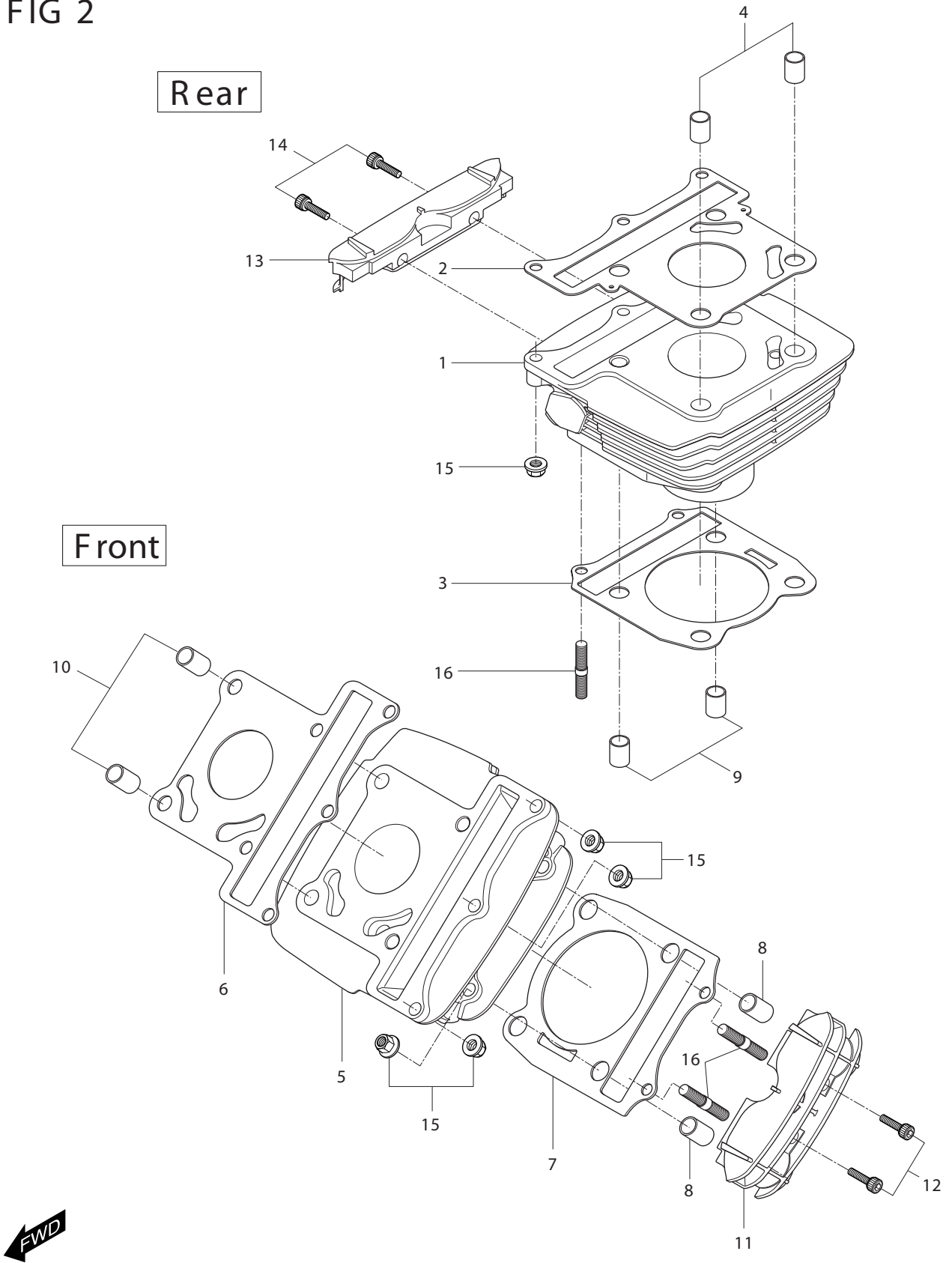


FIG 2. CYLINDER/FRONT,REAR

REF. NO.	GV250 - FI (2008)		GV250N - EI (2009)			PARTS NAME	Q'TY (PCS)	REMARKS
	7EU01/7G01/7S01	8EN01	9EU01/9F01/9G01	8EN01	9EG02			
1	11220HJ8650PCY	11220HJ8650PCY	11220HJ8650PCY	11220HJ8650PCY	11220HJ8650PCY	CYLINDER COMP , rear	1	
2	11141HJ8210	11141HJ8210	11141HJ8210	11141HJ8210	11141HJ8210	GASKET, cylinder head	1	
3	11241HG5103	11241HG5103	11241HG5103	11241HG5103	11241HG5103	GASKET, cylinder	1	
4	04213-11169	04213-11169	04213-11169	04213-11169	04213-11169	PIN, cylinder head knock	2	
5	11210HJ8650PCY	11210HJ8650PCY	11210HJ8650PCY	11210HJ8650PCY	11210HJ8650PCY	CYLINDER COMP , front	1	
6	11141HJ8210	11141HJ8210	11141HJ8210	11141HJ8210	11141HJ8210	GASKET, cylinder head	1	
7	11241HG5103	11241HG5103	11241HG5103	11241HG5103	11241HG5103	GASKET, cylinder	1	
8	04213-11149	04213-11149	04213-11149	04213-11149	04213-11149	KNOCK PIN, cylinder	2	
9	04213-11149	04213-11149	04213-11149	04213-11149	04213-11149	KNOCK PIN, cylinder	2	
10	04213-11169	04213-11169	04213-11169	04213-11169	04213-11169	PIN, cylinder head knock	2	
11	11251HG5101	11251HG5101	11251HG5101	11251HG5101	11251HG5101	FIN, cylinder (FRONT)	1	
12	07110-05168	07110-05168	07110-05168	07110-05168	07110-05168	BOLT, cylinder fin (FRONT)	2	
13	11251HG5101	11251HG5101	11251HG5101	11251HG5101	11251HG5101	FIN, cylinder (REAR)	1	
14	07110-05168	07110-05168	07110-05168	07110-05168	07110-05168	BOLT, cylinder fin (REAR)	2	
15	08316-16068	08316-16068	08316-16068	08316-16068	08316-16068	NUT,cylinder head(116)	6	
16	01421-06258	01421-06258	01421-06258	01421-06258	01421-06258	BOLT,cylinder s tud	4	

FIG 3

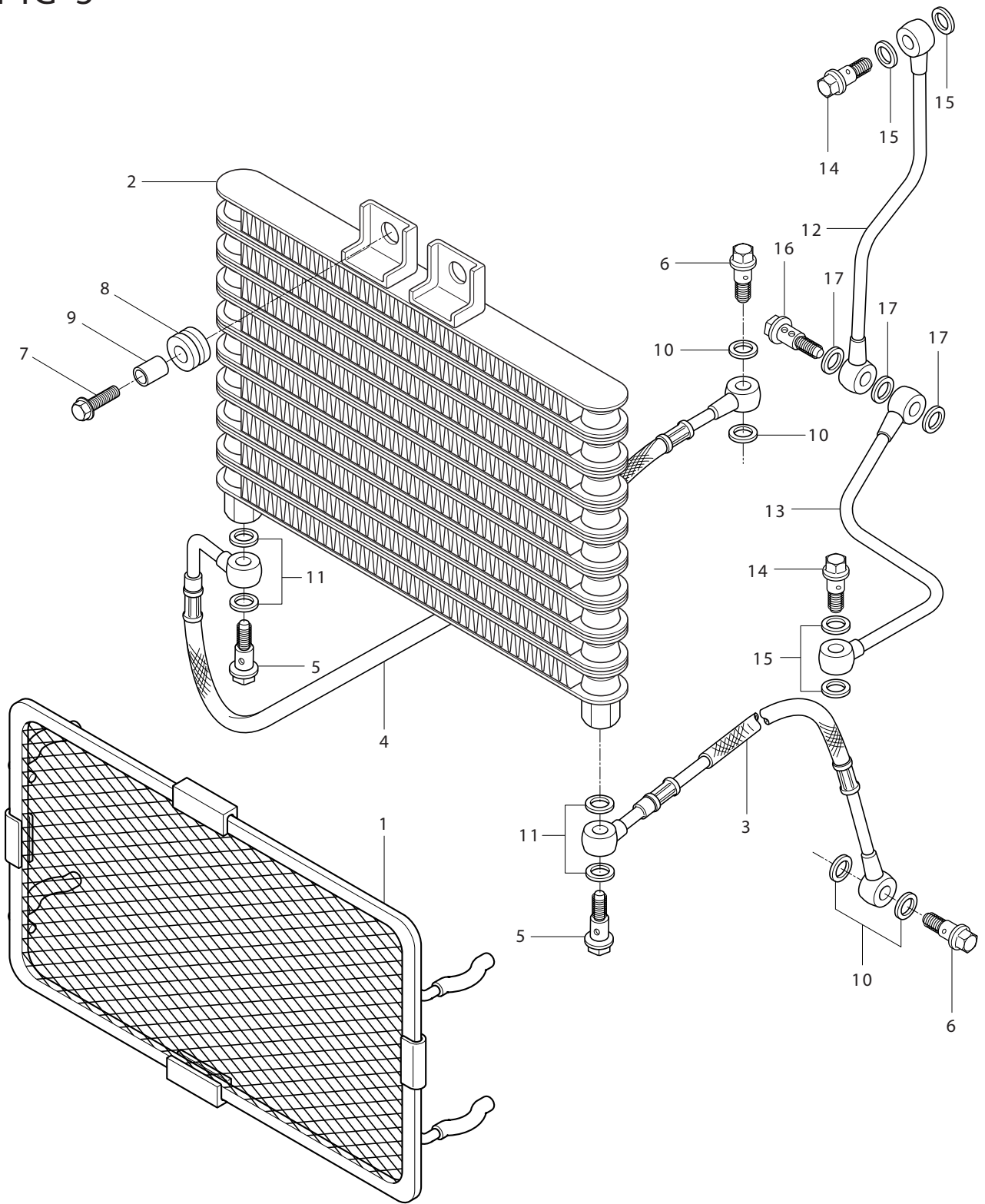


FIG 3. OIL COOLER

REF. NO.	GV250 - FI (2008)		GV250N - EI (2009)			PARTS NAME	Q'TY (PCS)	REMARKS
	7EU01/7G01/7S01	8EN01	9EU01/9F01/9G01	8EN01	9EG02			
1	16810HJ8201	16810HJ8201	16810HJ8201	16810HJ8201	16810HJ8201	GRILLE COMP , oil cooler NO.1	1	
2	16600HJ8200121	16600HJ8200121	16600HJ8200121	16600HJ8200121	16600HJ8200121	COOLER ASS'Y, oil	1	
3	16460HJ8200	16460HJ8200	16460HJ8200	16460HJ8200	16460HJ8200	HOSE COMP , oil cooler NO.1	1	
4	16470HJ8200	16470HJ8200	16470HJ8200	16470HJ8200	16470HJ8200	HOSE COMP , oil cooler NO.2	1	
5	09360H12007	09360H12007	09360H12007	09360H12007	09360H12007	BOLT, oil cooler hose union NO.2	2	
6	09360H10034	09360H10034	09360H10034	09360H10034	09360H10034	BOLT, oil cooler hose union NO.1	2	
7	09116-06143	09116-06143	09116-06143	09116-06143	09116-06143	BOLT, oil cooler	2	
8	09320-10015	09320-10015	09320-10015	09320-10015	09320-10015	CUSHION, oil cooler	2	
9	09180-06030	09180-06030	09180-06030	09180-06030	09180-06030	SPACER , oil cooler	2	
10	09161-10009	09161-10009	09161-10009	09161-10009	09161-10009	GASKET, oil cooler NO.1	4	
11	09168-14011	09168-14011	09168-14011	09168-14011	09168-14011	GASKET, oil cooler NO.2	4	
12	11280HG5101	11280HG5101	11280HG5101	11280HG5101	11280HG5101	PIPE COMP , oil front	1	
13	11290HG5101	11290HG5101	11290HG5101	11290HG5101	11290HG5101	PIPE COMP , oil rear	1	
14	09360H10034	09360H10034	09360H10034	09360H10034	09360H10034	UNION BOLT, oil pipe upper	2	
15	09161-10009	09161-10009	09161-10009	09161-10009	09161-10009	GASKE T, oil pipe upper	4	
16	15331HG5101	15331HG5101	15331HG5101	15331HG5101	15331HG5101	UNION BOLT, oil pipe lower	1	
17	09161-10009	09161-10009	09161-10009	09161-10009	09161-10009	GASKET, oil pipe lower	3	

FIG 4

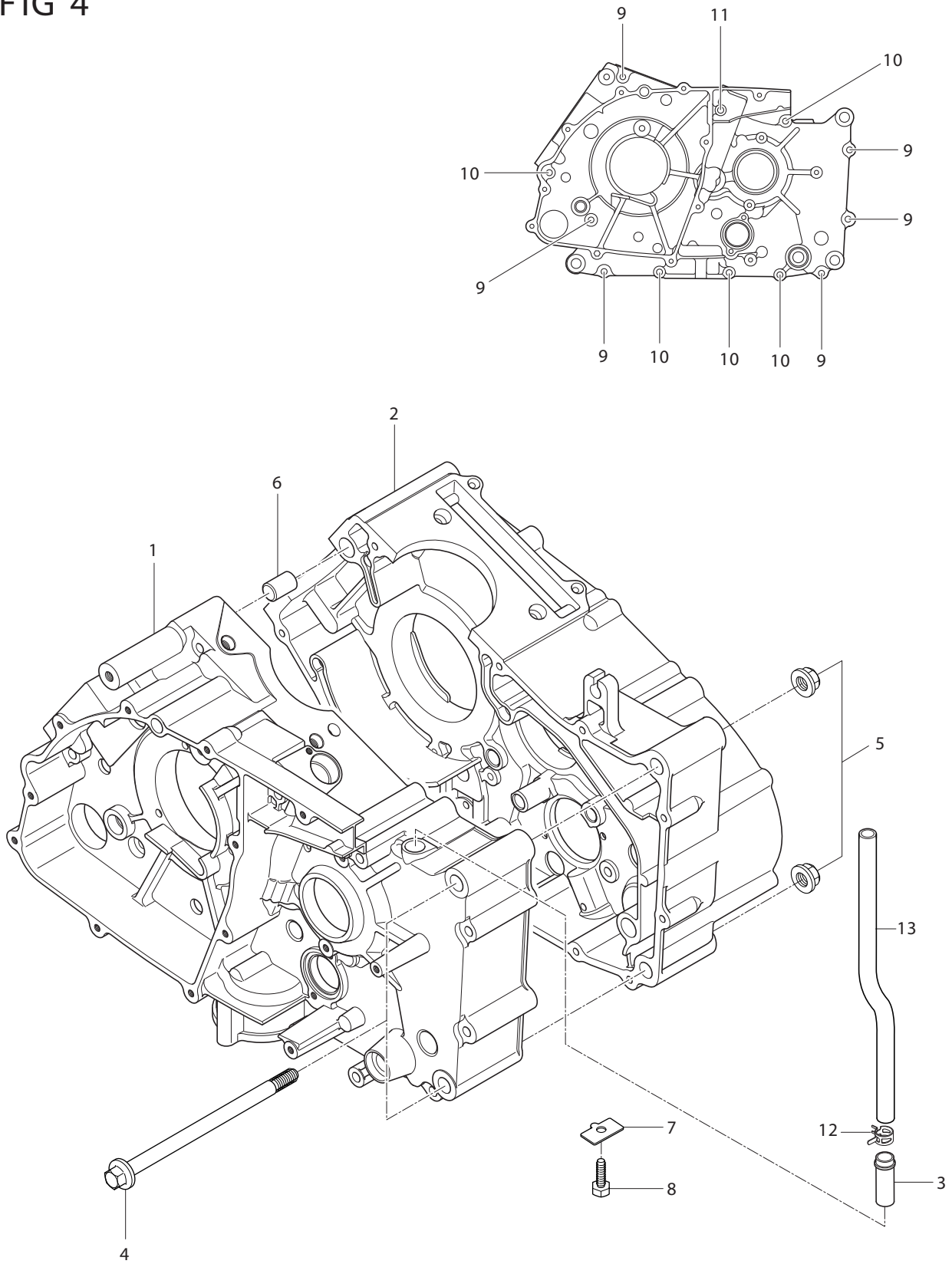


FIG 4. CRANK CASE

REF. NO.	GV250 - FI (2008)		GV250N - EI (2009)			PARTS NAME	Q'TY (PCS)	REMARKS
	7EU01/7G01/7S01	8EN01	9EU01/9F01/9G01	8EN01	9EG02			
0	11300HJ8200HPA	11300HJ8200HPA	11300HJ8200HPA	11300HJ8200HPA	11300HJ8200HPA	CRANKCASE ASSY	1	
1	11321HJ8201HPA	11321HJ8201HPA	11321HJ8201HPA	11321HJ8201HPA	11321HJ8201HPA	CRANKCASE COMP , L	1	
2	11310HJ8201HPA	11310HJ8201HPA	11310HJ8201HPA	11310HJ8201HPA	11310HJ8201HPA	CRANKCASE COMP , R	1	
3	09364-12001	09364-12001	09364-12001	09364-12001	09364-12001	UNION, breather hose	1	
4	09103H10022	09103H10022	09103H10022	09103H10022	09103H10022	BOLT, frame & engine l=110	3	
5	08319-31106	08319-31106	08319-31106	08319-31106	08319-31106	NUT, frame & engine	3	
6	04211-13189	04211-13189	04211-13189	04211-13189	04211-13189	PIN, crankcase knock	2	
7	11319-05200	11319-05200	11319-05200	11319-05200	11319-05200	PLATE , oil gallery plug	1	
8	01107-06106	01107-06106	01107-06106	01107-06106	01107-06106	BOLT, oil gallery plug plate	1	
9	01547-06558	01547-06558	01547-06558	01547-06558	01547-06558	BOLT, crankcase	6	
10	01547-06808	01547-06808	01547-06808	01547-06808	01547-06808	BOLT, crankcase	5	
11	02112-06908	02112-06908	02112-06908	02112-06908	02112-06908	SCREW,crankcase	1	
12	09401H14401	09401H14401	09401H14401	09401H14401	09401H14401	CLIP ,breather oil return	1	
13	16831HN9101	16831HN9101	16831HN9101	16831HN9101	16831HN9101	HOSE ,breather oil return	1	

FIG 5

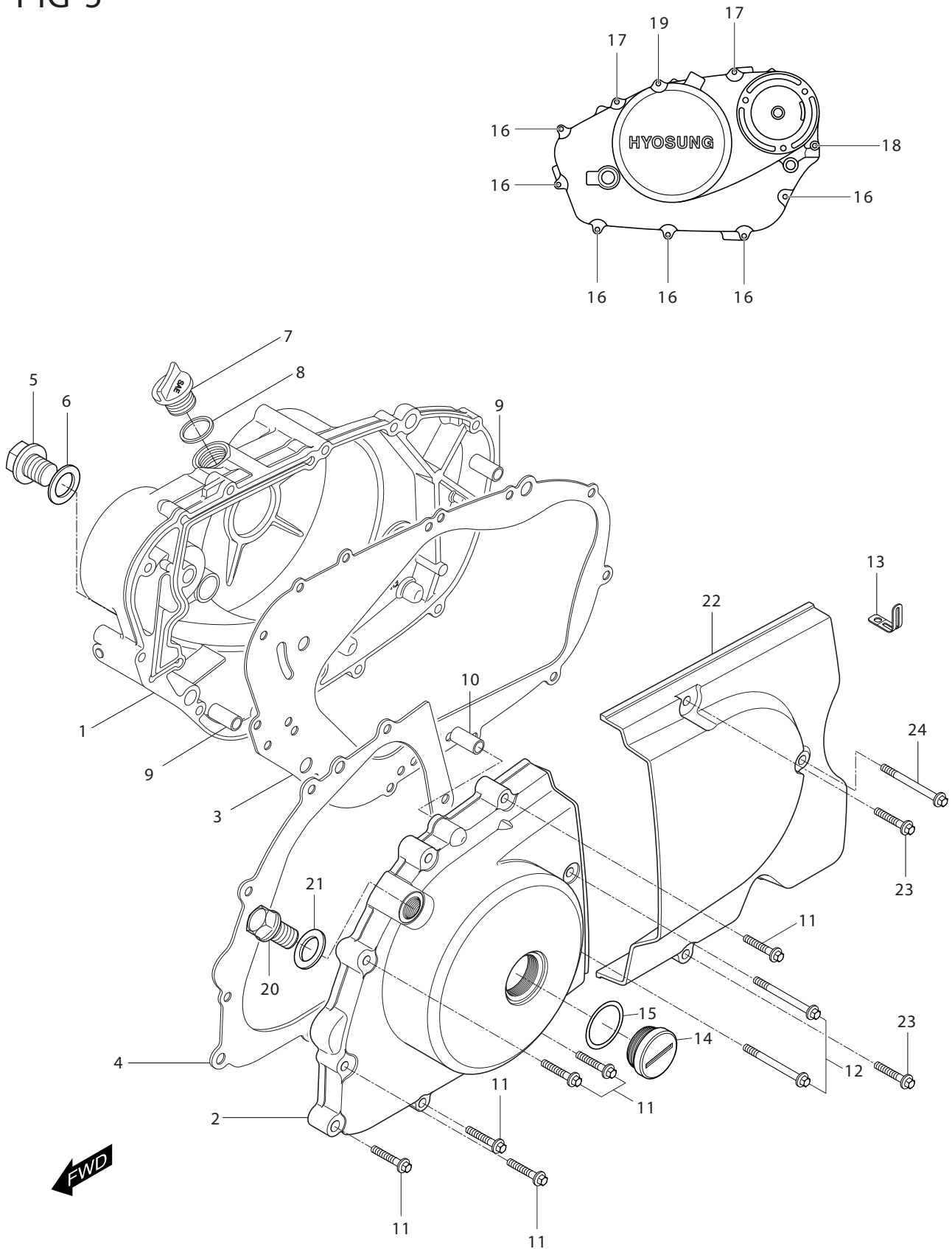


FIG 5. CRANK CASE COVER

REF. NO.	GV250 - FI (2008)		GV250N - EI (2009)			PARTS NAME	Q'TY (PCS)	REMARKS
	7EU01/7G01/7S01	8EN01	9EU01/9F01/9G01	8EN01	9EG02			
1	11341SJ8200HPA	11341SJ8200HPA	11341SJ8200HPA	11341SJ8200HPA	11341SJ8200HPA	COVER COMP, clutch	1	
2	11351HJ82020BF	11351HJ82020BF	11351HJ82020BF	11351HJ82020BF	11351HJ82020BF	COVER , magneto	1	
3	11482HG5102	11482HG5102	11482HG5102	11482HG5102	11482HG5102	GASKET, clutch cover (NA)	1	
4	11483HG5102	11483HG5102	11483HG5102	11483HG5102	11483HG5102	GASKET, magneto cover	1	
5	09247-14026	09247-14026	09247-14026	09247-14026	09247-14026	PLUG, oil check	1	
6	09168H14003	09168H14003	09168H14003	09168H14003	09168H14003	GASKET, oil check plug	1	
7	09259-2000903P	09259-2000903P	09259-2000903P	09259-2000903P	09259-2000903P	PLUG, eng oil filler	1	
8	09280-17003	09280-17003	09280-17003	09280-17003	09280-17003	O-RING, eng oil filler plug	1	
9	04213-13189	04213-13189	04213-13189	04213-13189	04213-13189	PIN, clutch cover knock	2	
10	04213-09129	04213-09129	04213-09129	04213-09129	04213-09129	PIN,magneto cover knock	1	
11	01547-06308	01547-06308	01547-06308	01547-06308	01547-06308	BOLT, magneto cover	7	
12	01547-06708	01547-06708	01547-06708	01547-06708	01547-06708	BOLT, magneto cover	2	
13	09403H09304	09403H09304	09403H09304	09403H09304	09403H09304	CLAMP, clutch cable	1	
14	09259-2601503P	09259-2601503P	09259-2601503P	09259-2601503P	09259-2601503P	PLUG, crankshaft hole	1	
15	09280-22008	09280-22008	09280-22008	09280-22008	09280-22008	O-R ING, crankshaft hole plug	1	
16	01547-06258	01547-06258	01547-06258	01547-06258	01547-06258	BOLT, clutch cover	6	
17	01547-06358	01547-06358	01547-06358	01547-06358	01547-06358	BOLT, clutch cover	2	
18	01547-06608	01547-06608	01547-06608	01547-06608	01547-06608	BOLT, clutch cover	1	
19	01547-06758	01547-06758	01547-06758	01547-06758	01547-06758	BOLT, clutch cover	1	
20	09247H12102	09247H12102	09247H12102	09247H12102	09247H12102	PLUG, TDC	1	
21	09168H12003	09168H12003	09168H12003	09168H12003	09168H12003	GASKET, T.D.C plug	1	
22	11360HJ8200HPA	11360HJ8200HPA	11360HJ8200HPA	11360HJ8200HPA	11360HJ8200HPA	COVER COMP, engine sprocket	1	
23	01547-06308	01547-06308	01547-06308	01547-06308	01547-06308	BOLT, engine sprocket cover	2	
24	01547-06708	01547-06708	01547-06708	01547-06708	01547-06708	BOLT, engine sprocket cover	1	

FIG 6

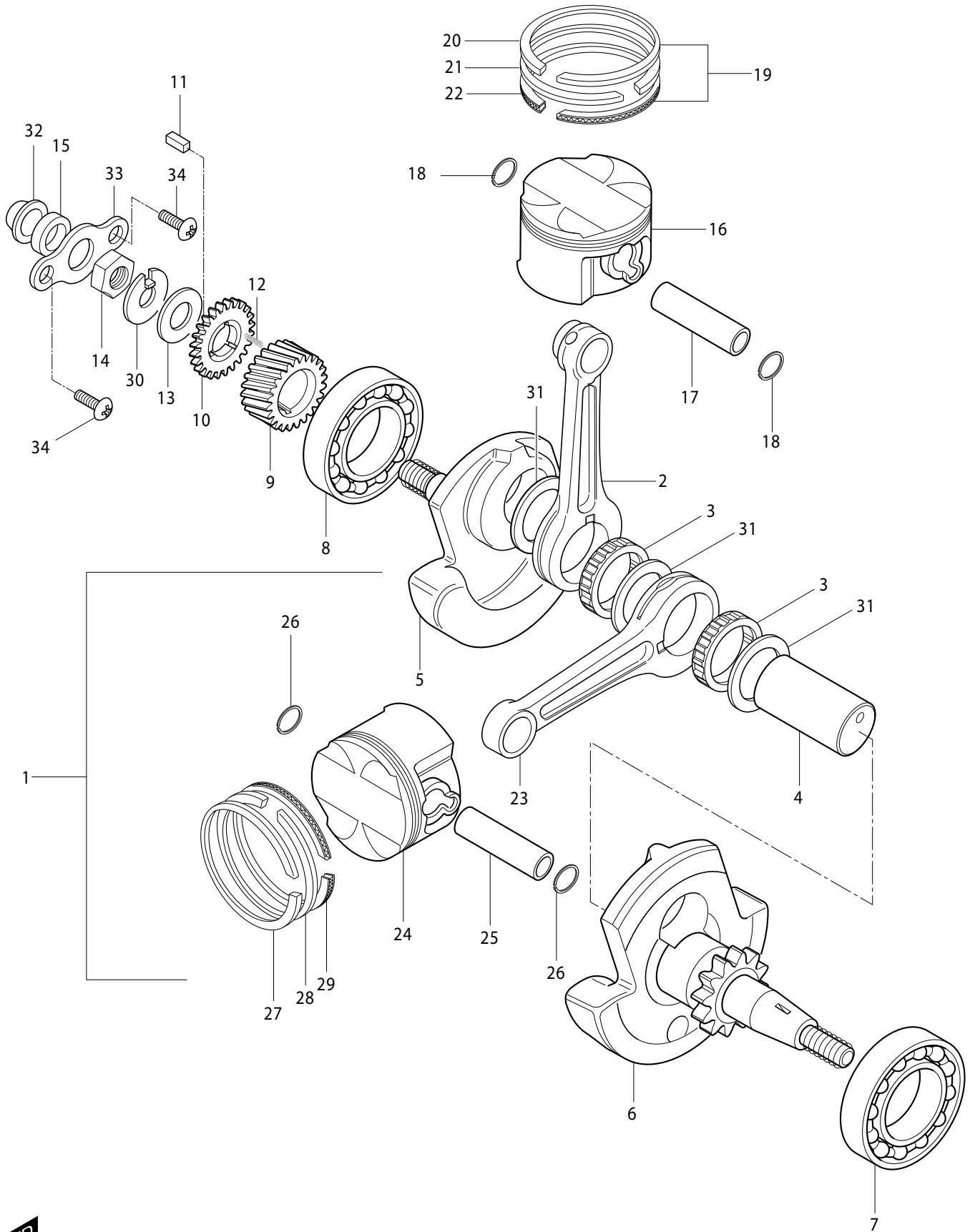


FIG 6. CRANK SHAFT

REF. NO.	GV250 - FI (2008)		GV250N - EI (2009)			PARTS NAME	QTY (PCS)	REMARKS
	7EU01/7G01/7S01	SEN01	9EU01/9F01/9G01	SEN01	9EG02			
1	12200HJ8200HPA	12200HJ8200HPA	12200HJ8200HPA	12200HJ8200HPA	12200HJ8200HPA	CRANK SHAFT ASS'Y	1	
2	12161HJ8201	12161HJ8201	12161HJ8201	12161HJ8201	12161HJ8201	ROD, connecting	1	
3	09263H30002	09263H30002	09263H30002	09263H30002	09263H30002	BEARING, crank pin	2	
4	12211HJ8202HPA	12211HJ8202HPA	12211HJ8202HPA	12211HJ8202HPA	12211HJ8202HPA	PIN, crank	1	
5	12221HJ8203CSA	12221HJ8203CSA	12221HJ8203CSA	12221HJ8203CSA	12221HJ8203CSA	CRANK SHAFT, R	1	
6	12221HJ8203CSA	12221HJ8203CSA	12221HJ8203CSA	12221HJ8203CSA	12221HJ8203CSA	CRANK SHAFT, L	1	
7	09262H35002	09262H35002	09262H35002	09262H35002	09262H35002	BEARING, crank shaft, R	1	
8	09262H35002	09262H35002	09262H35002	09262H35002	09262H35002	BEARING, crank shaft, L	1	
9	21111HJ8201	21111HJ8201	21111HJ8201	21111HJ8201	21111HJ8201	GEAR, primary drive	1	
10	21112HJ8200	21112HJ8200	21112HJ8200	21112HJ8200	21112HJ8200	GEAR, primary drive NO.2	1	
11	09421H05001	09421H05001	09421H05001	09421H05001	09421H05001	KEY, primary drive gear	1	
12	21114-35C00	21114-35C00	21114-35C00	21114-35C00	21114-35C00	SPRING,primary drive gear	3	
13	09166H16021	09166H16021	09166H16021	09166H16021	09166H16021	WASHER, primary drive gear thrust	1	
14	09140-16019	09140-16019	09140-16019	09140-16019	09140-16019	NUT,primary drive gear	1	
15	09282-12001	09282-12001	09282-12001	09282-12001	09282-12001	SEAL, crank shaft oil rh	1	
16	12111-16E00	12111-16E00	12111-16E00	12111-16E00	12111-16E00	PISTON,rear	1	
17	12151-30B00	12151-30B00	12151-30B00	12151-30B00	12151-30B00	PIN, piston	1	
18	09381-15001	09381-15001	09381-15001	09381-15001	09381-15001	CIRCLIP, piston pin	2	
19	12140-16E00	12140-16E00	12140-16E00	12140-16E00	12140-16E00	RINGSET, piston	2	
20	12141-16E00	12141-16E00	12141-16E00	12141-16E00	12141-16E00	RING, piston 1st	1	
21	12142-16E00	12142-16E00	12142-16E00	12142-16E00	12142-16E00	RING, piston 2nd	1	
22	12144-16E00	12144-16E00	12144-16E00	12144-16E00	12144-16E00	RING, piston oil	1	
23	12161HJ8200	12161HJ8200	12161HJ8200	12161HJ8200	12161HJ8200	ROD, connecting	1	
24	12111-16E00	12111-16E00	12111-16E00	12111-16E00	12111-16E00	PISTON,front	1	
25	12151-30B00	12151-30B00	12151-30B00	12151-30B00	12151-30B00	PIN, piston	1	
26	09381-15001	09381-15001	09381-15001	09381-15001	09381-15001	CIRCLIP, piston pin	2	
27	12141-16E00	12141-16E00	12141-16E00	12141-16E00	12141-16E00	RING, piston 1st	1	
28	12142-16E00	12142-16E00	12142-16E00	12142-16E00	12142-16E00	RING, piston 2nd	1	
29	12144-16E00	12144-16E00	12144-16E00	12144-16E00	12144-16E00	RING, piston oil	1	
30	09166H16032	09166H16032	09166H16032	09166H16032	09166H16032	WASHER,primary drive gear lock	1	
31	09160H30001	09160H30001	09160H30001	09160H30001	09160H30001	WASHER	3	
32	11342HG5100	11342HG5100	11342HG5100	11342HG5100	11342HG5100	JET	1	
33	11343HG5100	11343HG5100	11343HG5100	11343HG5100	11343HG5100	RETAINER	1	
34	02112-06108	02112-06108	02112-06108	02112-06108	02112-06108	SCREW	2	

FIG.7

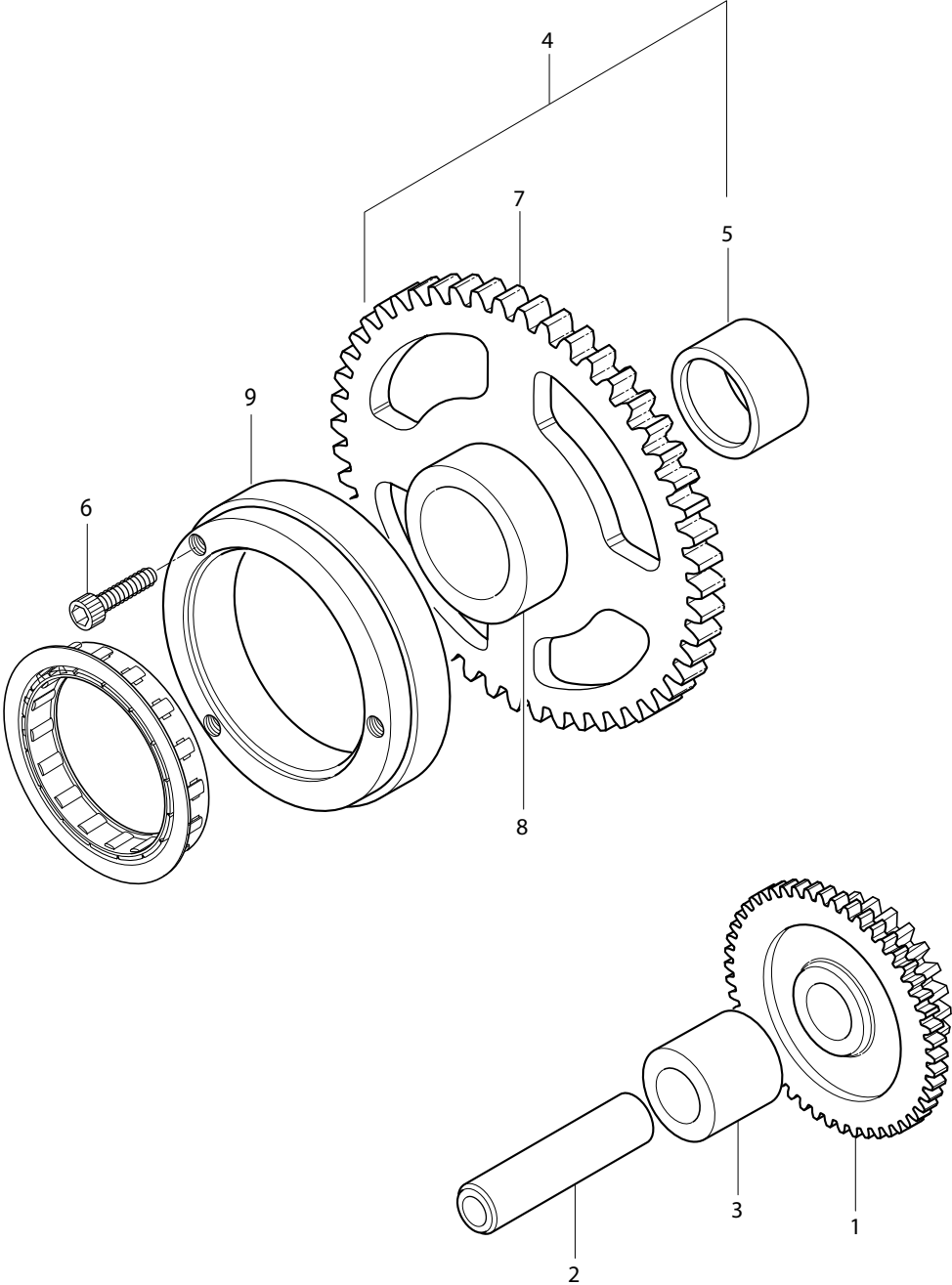


FIG 7. STARTER CLUTCH

REF. NO.	GV250 - FI (2008)		GV250N - EI (2009)			PARTS NAME	Q'TY (PCS)	REMARKS
	7EU01/7G01/7S01	8EN01	9EU01/9F01/9G01	8EN01	9EG02			
1	12611HJ8200	12611HJ8200	12611HJ8200	12611HJ8200	12611HJ8200	GEAR , starter idle	1	
2	12612HG5100	12612HG5100	12612HG5100	12612HG5100	12612HG5100	SHAFT,starter idle gear	1	
3	09180-13006	09180-13006	09180-13006	09180-13006	09180-13006	SPACE , starter idle gear	1	
4	12620HJ8204	12620HJ8204	12620HJ8204	12620HJ8204	12620HJ8204	GEAR COMP , starter clutch	1	
5	09304H25002	09304H25002	09304H25002	09304H25002	09304H25002	BUSH, starter clutch gear	1	NOT SALE
6	09106H08026	09106H08026	09106H08026	09106H08026	09106H08026	BOLT, starter clutch	3	
7	12622HJ8201	12622HJ8201	12622HJ8201	12622HJ8201	12622HJ8201	GEAR , starter clutch	1	NOT SALE
8	12621HJ8200	12621HJ8200	12621HJ8200	12621HJ8200	12621HJ8200	RACE , starter clutch gear inner	1	NOT SALE
9	12614HS5000	12614HS5000	12614HS5000	12614HS5000	12614HS5000	CLUTCH, starter one way	1	

FIG 8

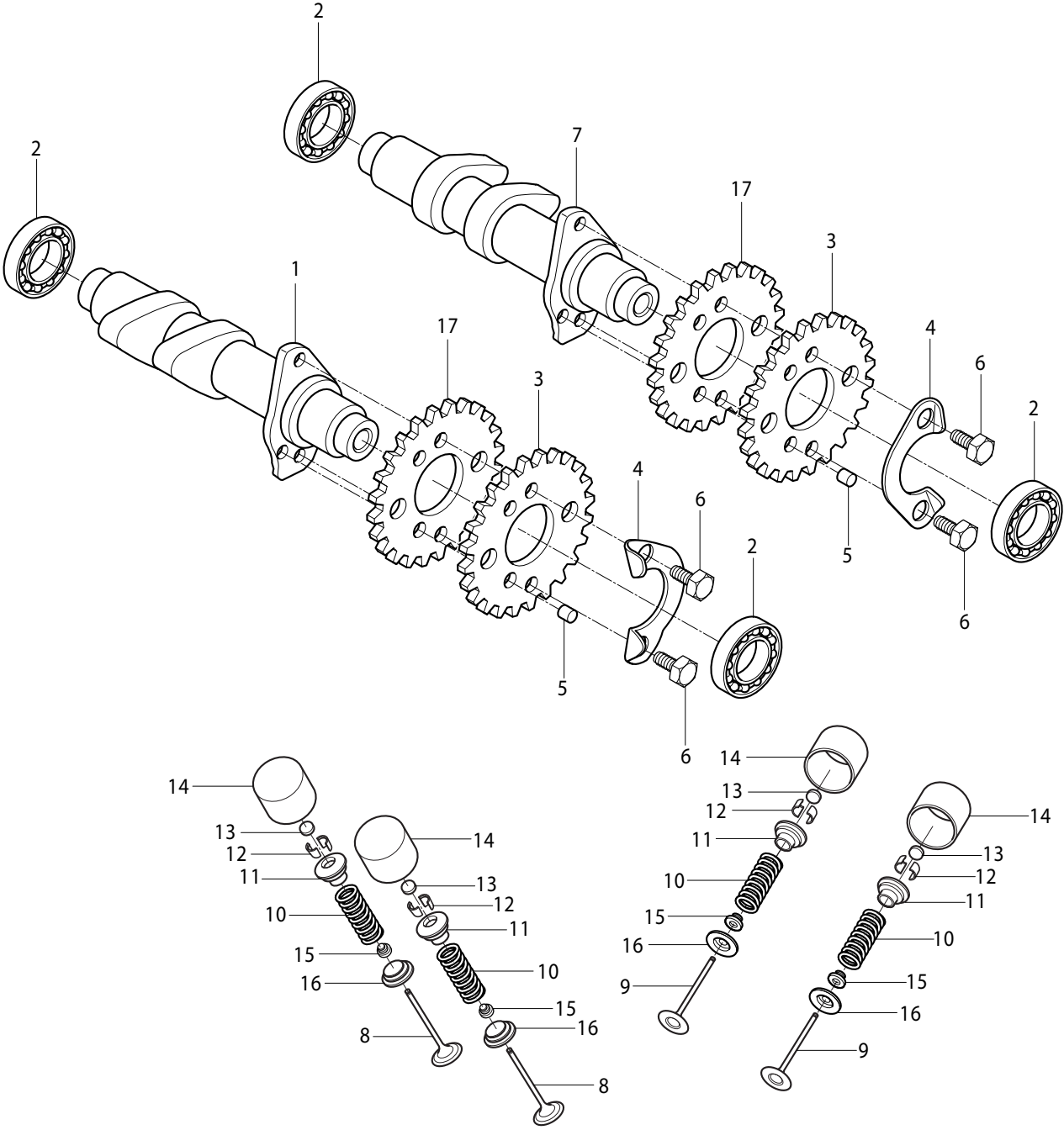


FIG 8. CAMSHAFT REAR / FRONT

REF. NO.	GV250 - FI (2008)		GV250N - EI (2009)			PARTS NAME	Q'TY (PCS)	REMARKS
	7EU01/7G01/7S01	8EN01	9EU01/9F01/9G01	8EN01	9EG02			
1	12711HR8600888	12711HR8600888	12711HR8600888	12711HR8600888	12711HR8600888	CAMSHAFT, intake	2	
2	09262-17019	09262-17019	09262-17019	09262-17019	09262-17019	BEARING, camshaft	8	
3	12741H16E00	12741H16E00	12741H16E00	12741H16E00	12741H16E00	SPROCKET, camshaft front	2	
4	12747-44B00	12747-44B00	12747-44B00	12747-44B00	12747-44B00	WASHER , sprocket	4	
5	09261-05005	09261-05005	09261-05005	09261-05005	09261-05005	PIN, sprocket	4	
6	09111-06032	09111-06032	09111-06032	09111-06032	09111-06032	BOLT, sprocket	8	
7	12721HJ8200888	12721HJ8200888	12721HJ8200888	12721HJ8200888	12721HJ8200888	CAMSHAFT, exhaust	2	
8	12911HJ8200	12911HJ8200	12911HJ8200	12911HJ8200	12911HJ8200	VALVE , intake	4	
9	12912HJ8200	12912HJ8200	12912HJ8200	12912HJ8200	12912HJ8200	VALVE , exhaust	4	
10	12921HJ8200	12921HJ8200	12921HJ8200	12921HJ8200	12921HJ8200	SPRING, valve	8	
11	12931HJ8200	12931HJ8200	12931HJ8200	12931HJ8200	12931HJ8200	RETAINER , valve spring	8	
12	12932HJ8200	12932HJ8200	12932HJ8200	12932HJ8200	12932HJ8200	COTTER , valve	16	
13	12892-05C00(#120~220)	12892-05C00(#120~220)	12892-05C00(#120~220)	12892-05C00(#120~220)	12892-05C00(#120~220)	S HIM, tappet	8	
14	12881HJ8200	12881HJ8200	12881HJ8200	12881HJ8200	12881HJ8200	TAPPET	8	
15	09289H04002	09289H04002	09289H04002	09289H04002	09289H04002	SEAT, valve stem oil	8	
16	12933HJ8200	12933HJ8200	12933HJ8200	12933HJ8200	12933HJ8200	SEAT, valve spring	8	
17	12742HJ8200	12742HJ8200	12742HJ8200	12742HJ8200	12742HJ8200	SPROCKET, camshaft rear	2	

FIG 9

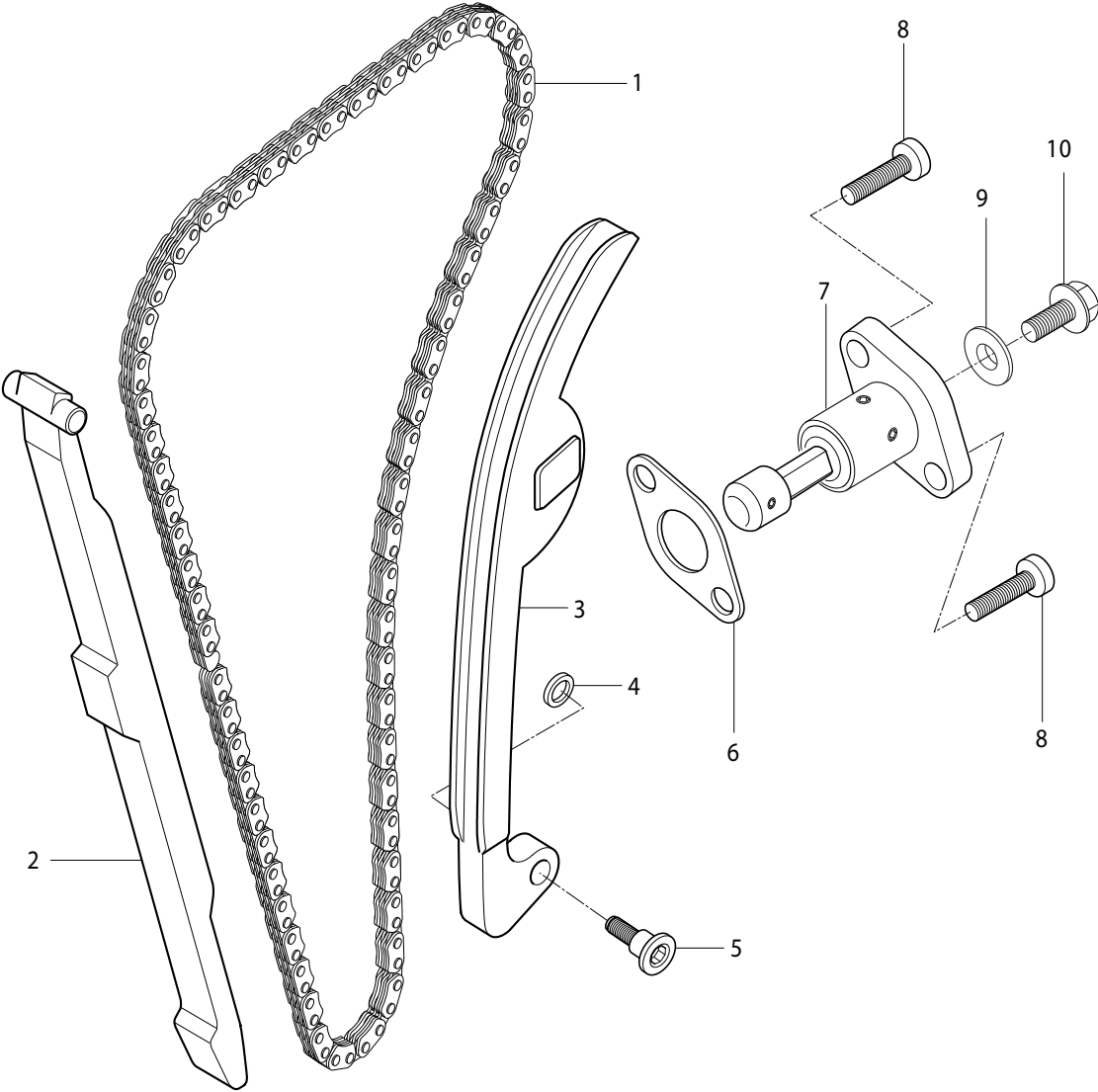


FIG 9. CAM CHAIN

REF. NO.	GV250 - FI (2008)		GV250N - EI (2009)			PARTS NAME	Q'TY (PCS)	REMARKS
	7EU01/7G01/7S01	8EN01	9EU01/9F01/9G01	8EN01	9EG02			
1	12760-16E00	12760-16E00	12760-16E00	12760-16E00	12760-16E00	CHAIN COMP , camshaft drive	2	
2	12771-16E00	12771-16E00	12771-16E00	12771-16E00	12771-16E00	GUIDE , camchain NO.1	2	
3	12811HJ8200	12811HJ8200	12811HJ8200	12811HJ8200	12811HJ8200	TENSIONER , camchain	2	
4	08211-06181	08211-06181	08211-06181	08211-06181	08211-06181	WASHER , camchain tensioner bolt	2	
5	12812H35C00	12812H35C00	12812H35C00	12812H35C00	12812H35C00	BOLT, camchain tensioner	2	
6	12837HP7600	12837HP7600	12837HP7600	12837HP7600	12837HP7600	GASKET, tensioner adjuster	2	
7	12830H88600	12830H88600	12830H88600	12830H88600	12830H88600	ADJUSTER ASS`Y, tensioner	2	
8	07110-06208	07110-06208	07110-06208	07110-06208	07110-06208	BOLT, tensioner adjuster	4	
9	12838HP7600	12838HP7600	12838HP7600	12838HP7600	12838HP7600	O-RING, adjuster	2	
10	12839HN9120	12839HN9120	12839HN9120	12839HN9120	12839HN9120	SCREW, tensioner adjuster	2	

FIG.10

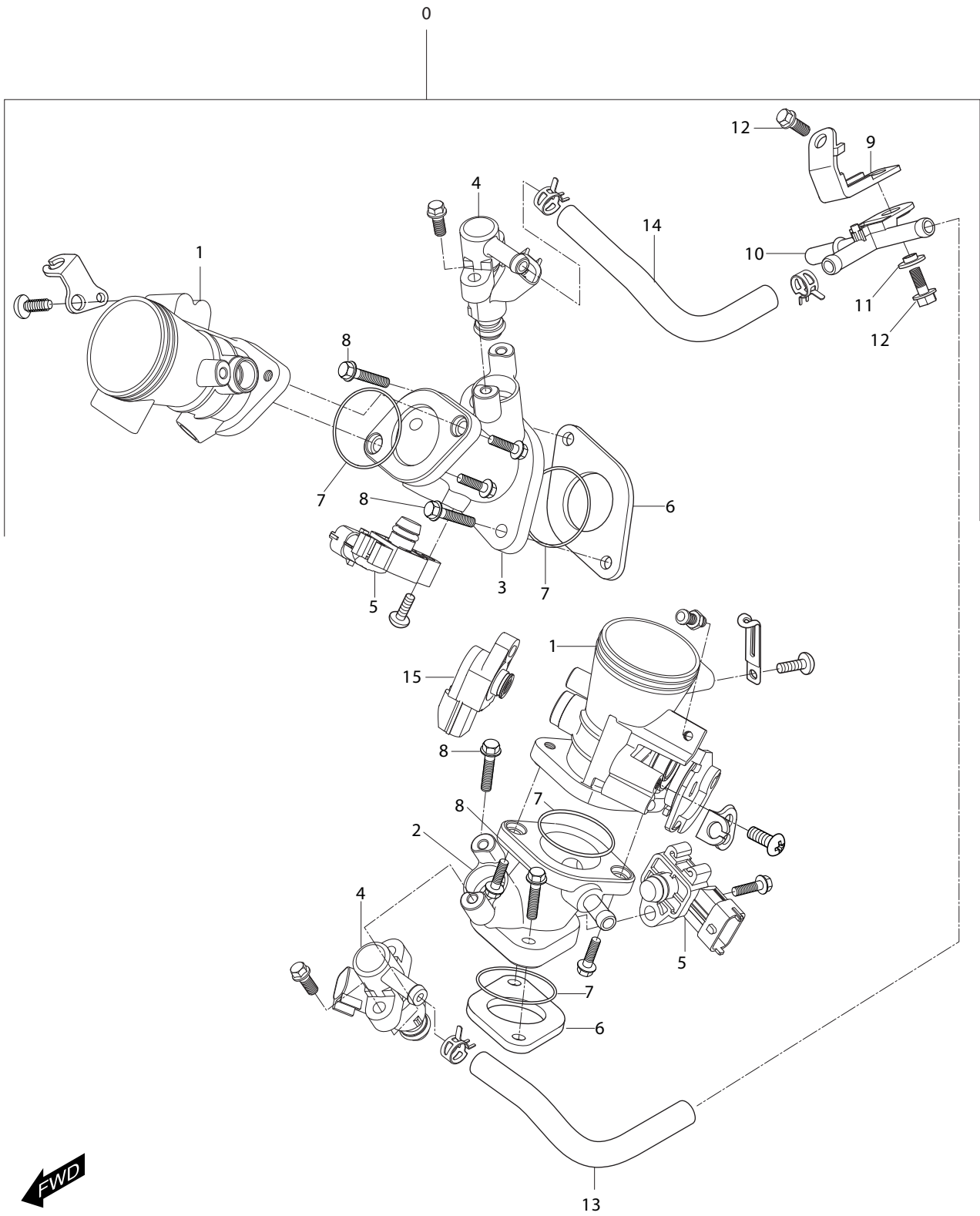


FIG 10. THROTTLE BODY

REF. NO.	GV250 - FI (2008)		GV250N - EI (2009)			PARTS NAME	Q'TY (PCS)	REMARKS
	7EU01/7G01/7S01	8EN01	9EU01/9F01/9G01	8EN01	9EG02			
0	13400HR8600	13400HR8600	13400H88601	13400H88601	13400H88601	BODY ASS'Y, throttle	1	
1	13410H88600	13410H88600	13410H88600	13410H88600	13410H88600	BODY COMP , throttle	2	NOT SALE
2	13110H88600	13110H88600	13110H88600	13110H88600	13110H88600	PIPE COMP , intake front	1	NOT SALE
3	13120H88600	13120H88600	13120H88600	13120H88600	13120H88600	PIPE COMP , intake rear	1	NOT SALE
4	15710HR8600	15710HR8600	15710H88601	15710H88601	15710H88601	INJECTOR	2	
5	37920HP8800	37920HP8800	37920H88600	37920H88600	37920H88600	SENSOR , intake air pressure	2	
6	13129HR8600	13129HR8600	13129HR8600	13129HR8600	13129HR8600	INSULATOR , carburetor	2	
7	09280H34000	09280H34000	09280H34000	09280H34000	09280H34000	O-RING, intake pipe	4	
8	09128-06006	09128-06006	09128-06006	09128-06006	09128-06006	SCREW, intake pipe	4	
9			15160H88400	15160H88400	15160H88400	BRACKET COMP , fuel hose joint	1	
10	15911HR8400	15911HR8400	15911HP9300	15911HP9300	15911HP9300	JOINT, fuel hose	1	
11	09169H06078	09169H06078	09169H06078	09169H06078	09169H06078	WASHER , fuel hose joint	1	
12	01517-06125	01517-06125	01517-06125	01517-06125	01517-06125	BOLT, joint	2	
13	15870HR8400	15870HR8400	15870H88401	15870H88401	15870H88401	HOSE ASS'Y, fuel injector joint No1.	1	
14	15870HR8600	15870HR8600	15880H88401	15880H88401	15880H88401	HOSE ASS'Y, fuel injector joint No2.	1	
15	13580HP8800	13580HP8800	13580H88600	13580H88600	13580H88600	SENSOR , therottle position(TPS)	1	

FIG.10-1

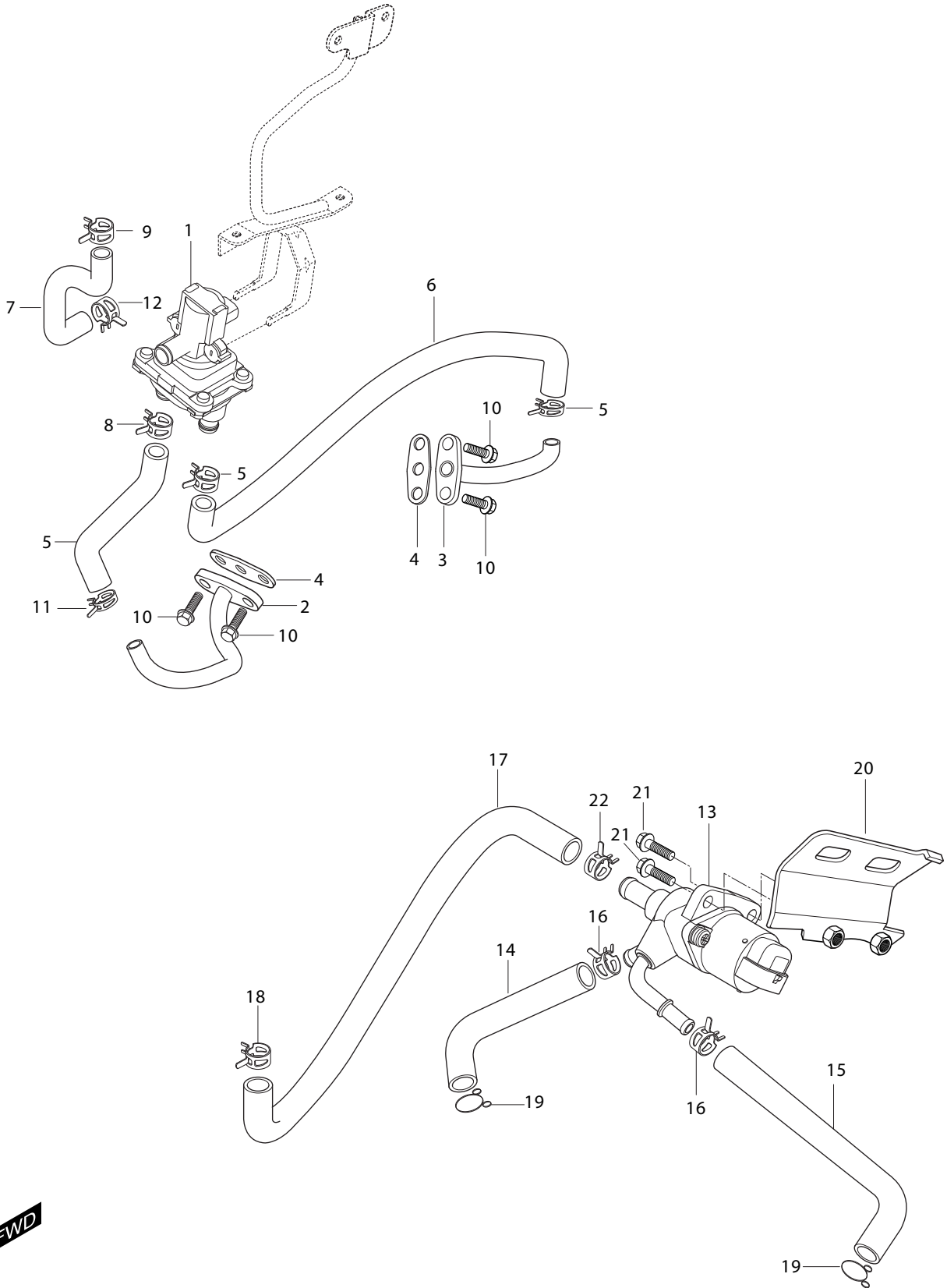


FIG 10-1. 2ND AIR & ISC

REF. NO.	GV250 - FI (2008)		GV250N - EI (2009)			PARTS NAME	Q'TY (PCS)	REMARKS
	7EU01/7G01/7S01	8EN01	9EU01/9F01/9G01	8EN01	9EG02			
1	18500HP8800	18500HP8800	18500H89800	18500H89800	18500H89800	VALVE ASS'Y, 2nd air	1	
2			18610HJ8290	18610HJ8290	18610HJ8290	PIPE COMP , 2nd air front	1	NOT SALE
3			18610HM8130	18610HM8130	18610HM8130	PIPE COMP , 2nd air rear	1	NOT SALE
4			18615HN9101	18615HN9101	18615HN9101	GASKET, 2nd air pipe	2	NOT SALE
5	18631HR8400	18631HR8400	18631H88400	18631H88400	18631H88400	HOSE , 2nd air pipe front	1	
6	18641HR8400	18641HR8400	18641H88400	18641H88400	18641H88400	HOSE , 2nd air pipe rear	1	
7	18651HR8400	18651HR8400	18651H88400	18651H88400	18651H88400	HOSE , 2nd air cleaner	1	
8			09401H16401	09401H16401	09401H16401	CLAMP , 2nd air pipe hose	2	
9			09401H16401	09401H16401	09401H16401	CLAMP , 2nd air cleaner hose	1	
10			09128-06005	09128-06005	09128-06005	BOLT, 2nd air pipe	4	
11			09401H15401	09401H15401	09401H15401	CLAMP , 2nd air pipe	2	
12			09401H18401	09401H18401	09401H18401	CLAMP , 2nd air cleaner	1	
13	37940HR8410	37940HR8410	37940HR8410	37940HR8410	37940HR8410	SOLENOID, idle speed control	1	
14			18731HR8400	18731HR8400	18731HR8400	HOSE , isc No.1	1	
15			18741HR8400	18741HR8400	18741HR8400	HOSE , isc No.2	1	
16			09401H11403	09401H11403	09401H11403	CLAMP , isc hose	2	
17	18581HR8600	18581HR8600	18581HR8600	18581HR8600	18581HR8600	HOSE , isc air cleaner	1	
18			09401H10401	09401H10401	09401H10401	CLAMP , isc air cleaner hose	1	
19			09401-10401	09401-10401	09401-10401	CLIP , isc hose	2	
20	13790HR8400	13790HR8400	13790HR8400	13790HR8400	13790HR8400	BRACKET COMP , isc	1	
21			01547-06208	01547-06208	01547-06208	BPLT, isc	2	
22			09401H13401	09401H13401	09401H13401	CLAMP , isc	1	

FIG.11

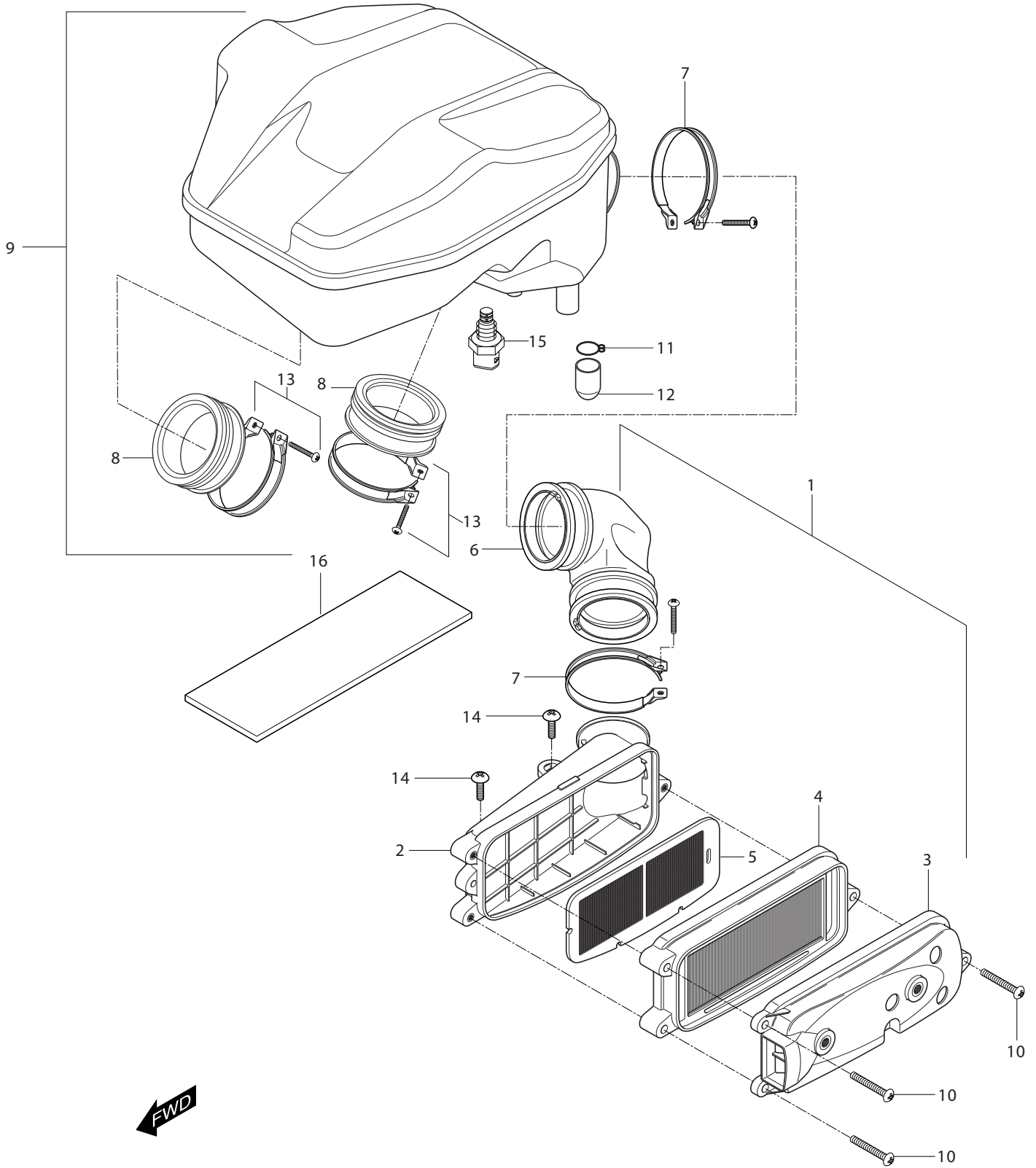


FIG 11. AIR CLEANER & CHAMBER

REF. NO.	GV250 - FI (2008)		GV250N - EI (2009)			PARTS NAME	Q'TY (PCS)	REMARKS
	7EU01/7G01/7S01	8EN01	9EU01/9F01/9G01	8EN01	9EG02			
1	13700HR8400	13700HR8400	13700HR8400	13700HR8400	13700HR8400	CLEANER ASS'Y, air		
2	13720HG5101	13720HG5101	13720HG5101	13720HG5101	13720HG5101	CASE COMP , air cleaner		NOT SALE
3	13740HG5102	13740HG5102	13740HG5102	13740HG5102	13740HG5102	CAP COMP , air cleaner		NOT SALE
4	13780HR8400	13780HR8400	13780HR8400	13780HR8400	13780HR8400	FILTER COMP , air cleaner		
5	13750HG5100	13750HG5100	13750HG5100	13750HG5100	13750HG5100	TRAP COMP ,frame		NOT SALE
6	13831HG5101	13831HG5101	13831HG5101	13831HG5101	13831HG5101	TUBE , connecting		NOT SALE
7	09402H74217	09402H74217	09402H74217	09402H74217	09402H74217	CLAMP , connecting tube		
8	13881HR8400	13881HR8400	13881HR8400	13881HR8400	13881HR8400	TUBE OUTLET		
9	13800HR8400	13800HR8400	13800HR8400	13800HR8400	13800HR8400	CHAMBER ASS`Y, air cleaner		
10	02142-05305	02142-05305	02142-05305	02142-05305	02142-05305	SCREW, air cleaner cap		
11	09401-14301	09401-14301	09401-14301	09401-14301	09401-14301	CLIP , oil drain plug		
12	13895HF4500	13895HF4500	13895HF4500	13895HF4500	13895HF4500	PLUG,oil drain		
13	09402-56208	09402-56208	09402-56208	09402-56208	09402-56208	CLAMP ,outlet tube carb		
14	09136-06017	09136-06017	09136-06017	09136-06017	09136-06017	SCREW,air cleaner		
15	37930HP8800	37930HP8800	37930H89300	37930H89300	37930H89300	SENSOR , intake air temperature(IATS)		
16	44613HE7100	44613HE7100	44613HE7100	44613HE7100	44613HE7100	CUSHION, air cleaner		

FIG 12

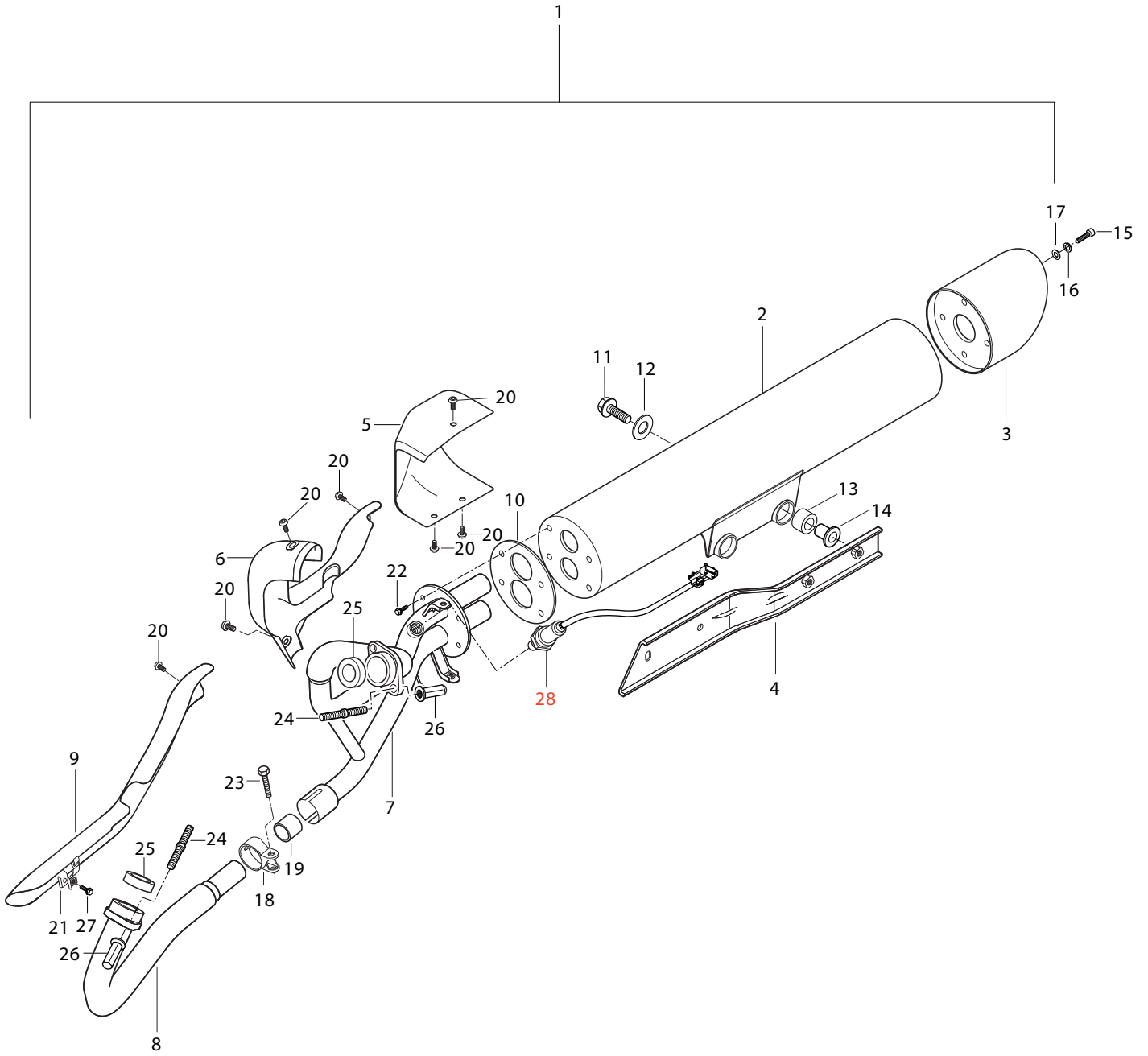


FIG 12. MUFFLER

REF. NO.	GV250 - FI (2008)		GV250N - EI (2009)			PARTS NAME	Q'TY (PCS)	REMARKS
	7EU01/7G01/7S01	8EN01	9EU01/9F01/9G01	8EN01	9EG02			
1	14305HR8451PLH	14305HR8451PLH	14305H88400PLH	14305H88400PLH	14305H88400PLH	MUFFLER , ASS'Y	1	
2	14305HR8450	14305HR8450	14310H88400	14310H88400	14310H88400	BODY COMP , MUFFLER	1	
3	14790HR5200	14790HR5200	14790HR5200	14790HR5200	14790HR5200	COVER , MUFFLER REAR	1	
4	14410HR5200	14410HR5200	14410HR5200	14410HR5200	14410HR5200	BRACKET, MUFFLER SUPPORT NO.1	1	
5	14711HR5200	14711HR5200	14711HR5200	14711HR5200	14711HR5200	COVER , EXHAUST JOINT	1	
6	14730HR8400	14730HR8400	14730HR8400	14730HR8400	14730HR8400	COVER , EXHAUST REAR PIPE	1	
7	14160HR8401	14160HR8401	14160HR8401	14160HR8401	14160HR8401	PIPE COMP , EXHAUST REAR	1	
8	14150HS8400	14150HS8400	14150HS8400	14150HS8400	14150HS8400	PIPE COMP , EXHAUST FRONT	1	
9	14721HR5200	14721HR5200	14721HR5200	14721HR5200	14721HR5200	COVER COMP , EXHAUST FRONT PIPE	1	
10	14314HR5200	14314HR5200	14314HR5200	14314HR5200	14314HR5200	GASKET, MUFFLER BODY	1	
11	01517-08468	01517-08468	01517-08468	01517-08468	01517-08468	BOLT, MUFFLER SUPPORT BRACKET BODY	2	
12	09160-08002	09160-08002	09160-08002	09160-08002	09160-08002	WASHER , MUFFLER SUPPORT BRACKET BODY	2	
13	09320H12059	09320H12059	09320H12059	09320H12059	09320H12059	CUSHION, MUFFLER SUPPORT	2	
14	41160HN9100	41160HN9100	41160HN9100	41160HN9100	41160HN9100	SPACER COMP , MUFFLER SUPPORT	2	
15	09106H06001	09106H06001	09106H06001	09106H06001	09106H06001	BOLT, MUFFLER REAR COVER	4	
16	08321-31068	08321-31068	08321-31068	08321-31068	08321-31068	WASHER , MUFFLER REAR COVER	4	
17	08322-21068	08322-21068	08322-21068	08322-21068	08322-21068	WASHER , MUFFLER REAR COVER	4	
18	14470HG5101	14470HG5101	14470HG5101	14470HG5101	14470HG5101	CONNECTOR COMP , EXHAUST PIPE	1	
19	14773HG5101	14773HG5101	14773HG5101	14773HG5101	14773HG5101	GASKET, CONNECTOR EXHAUST PIPE	1	
20	09119H06001	09119H06001	09119H06001	09119H06001	09119H06001	BOLT, EXHAUST COVER	7	
21	14776HR5200	14776HR5200	14776HR5200	14776HR5200	14776HR5200	CLAMP , EXHAUST FRONT PIPE	1	
22	09106H06001	09106H06001	09106H06001	09106H06001	09106H06001	BOLT, MUFFLER BODY GASKET	4	
23	01137-08358	01137-08358	01137-08358	01137-08358	01137-08358	BOLT, CONNECTOR EXHAUST PIPE	1	
24	01421-08258	01421-08258	01421-08258	01421-08258	01421-08258	STUD BOLT, EXHAUST PIPE	4	
25	14181-46E00	14181-46E00	14181-46E00	14181-46E00	14181-46E00	GASKET, EXHAUST PIPE	2	
26	09143H08001	09143H08001	09143H08001	09143H08001	09143H08001	NUT, EXHAUST PIPE	4	
27	09106H06031	09106H06031	09106H06031	09106H06031	09106H06031	BOLT, EXHAUST FRONT PIPE COVER CLAMP	1	
28	37950H8800	37950H8800	37950H89300	37950H89300	37950H89300	SENSOR , oxygen	1	

FIG 13

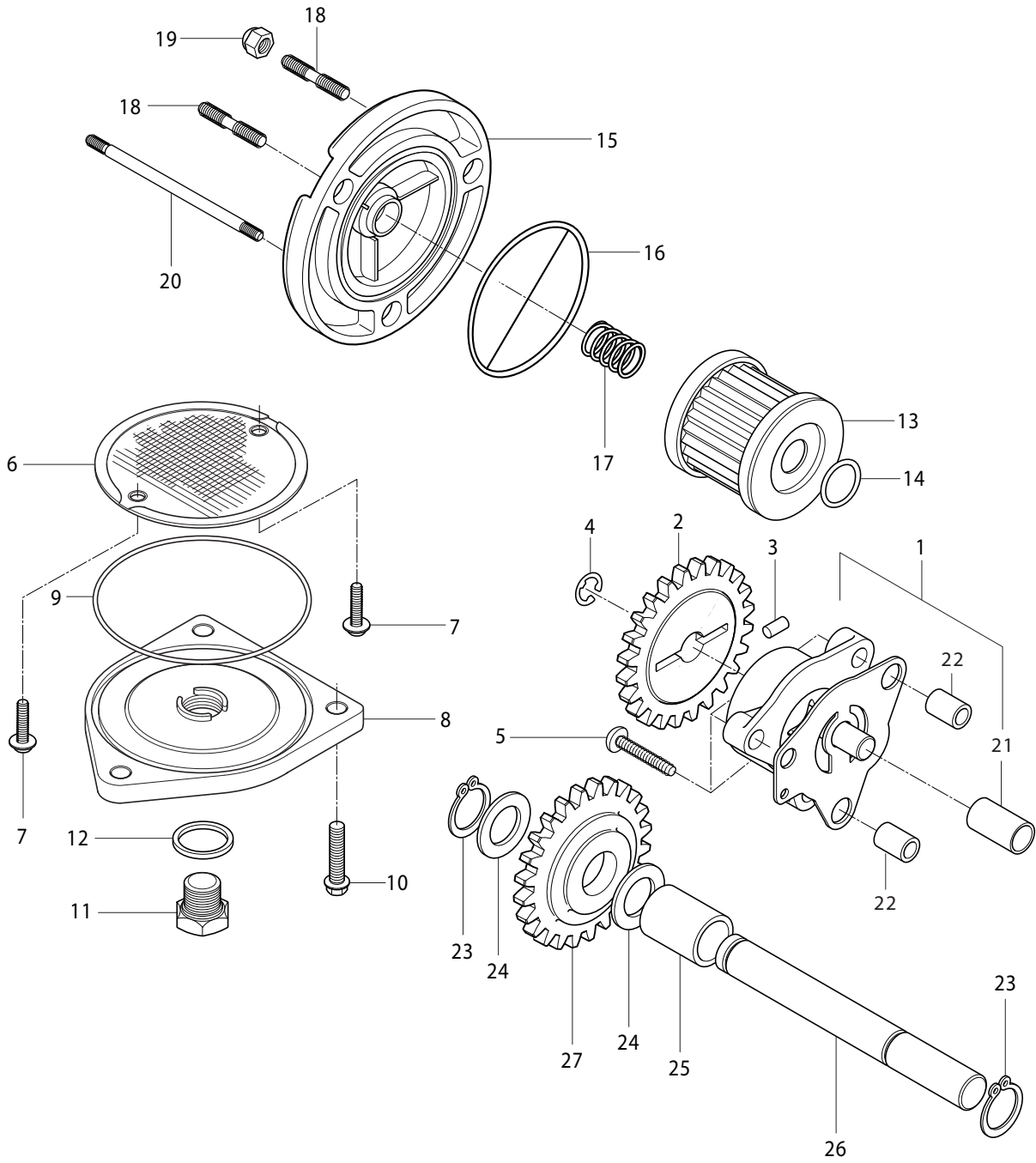


FIG 13. OIL PUMP

REF. NO.	GV250 - FI (2008)		GV250N - EI (2009)			PARTS NAME	Q'TY (PCS)	REMARKS
	7EU01/7G01/7S01	8EN01	9EU01/9F01/9G01	8EN01	9EG02			
1	16400HG5102	16400HG5102	16400HG5102	16400HG5102	16400HG5102	PUMP ASSY, oil	1	
2	16331HG5102	16331HG5102	16331HG5102	16331HG5102	16331HG5102	GEAR , oil pump driven	1	
3	09261-02001	09261-02001	09261-02001	09261-02001	09261-02001	PIN, oil pump driven gear	1	
4	08332-11069	08332-11069	08332-11069	08332-11069	08332-11069	CIRCLIP , oil pump driven gear	1	
5	02112-06258	02112-06258	02112-06258	02112-06258	02112-06258	SCREW, oil pump	3	
6	16520-05202	16520-05202	16520-05202	16520-05202	16520-05202	STRAINER COMP , engine oil	1	
7	02112-95126	02112-95126	02112-95126	02112-95126	02112-95126	SCREW, engine oil strainer	2	
8	16523-05200	16523-05200	16523-05200	16523-05200	16523-05200	CAP , oil strainer	1	
9	09280-60005	09280-60005	09280-60005	09280-60005	09280-60005	O-RING, strainer cap	1	
10	01547-06208	01547-06208	01547-06208	01547-06208	01547-06208	BOLT, oil strainer cap	3	
11	09247H14019	09247H14019	09247H14019	09247H14019	09247H14019	PLUG, oil drain	1	
12	09168H14003	09168H14003	09168H14003	09168H14003	09168H14003	GASKET, drain plug	1	
13	16510-05240HAS	16510-05240HAS	16510-05240HAS	16510-05240HAS	16510-05240HAS	FILTER COMP , engine oil	1	
14	09280-13004	09280-13004	09280-13004	09280-13004	09280-13004	O-RING, oil filter	1	
15	16512HG51000BF	16512HG51000BF	16512HG51000BF	16512HG51000BF	16512HG51000BF	CAP , oil filter	1	
16	09280-54001	09280-54001	09280-54001	09280-54001	09280-54001	O-RING, oil filter cap	1	
17	09440-18002	09440-18002	09440-18002	09440-18002	09440-18002	SPRING, oil filter cap	1	
18	01421-06128	01421-06128	01421-06128	01421-06128	01421-06128	BOLT, oil filter cap stud	2	
19	08313-11068	08313-11068	08313-11068	08313-11068	08313-11068	NUT, oil filter cap	3	
20	01421-06658	01421-06658	01421-06658	01421-06658	01421-06658	BOLT, oil filter cap stud	1	
21	16419HG5100	16419HG5100	16419HG5100	16419HG5100	16419HG5100	BUSH,oil pump	1	
22	09206-08001	09206-08001	09206-08001	09206-08001	09206-08001	PIN, oil pump knock	2	
23	08331-31109	08331-31109	08331-31109	08331-31109	08331-31109	CIRCLE LIP	2	
24	08211-10181	08211-10181	08211-10181	08211-10181	08211-10181	WASHER	2	
25	09180H10022	09180H10022	09180H10022	09180H10022	09180H10022	SPACER	1	
26	16451HG5101	16451HG5101	16451HG5101	16451HG5101	16451HG5101	SHAFT,oil pump idle gear	1	
27	16431HG5104	16431HG5104	16431HG5104	16431HG5104	16431HG5104	GEAR ,oil pump idle	1	

FIG.14

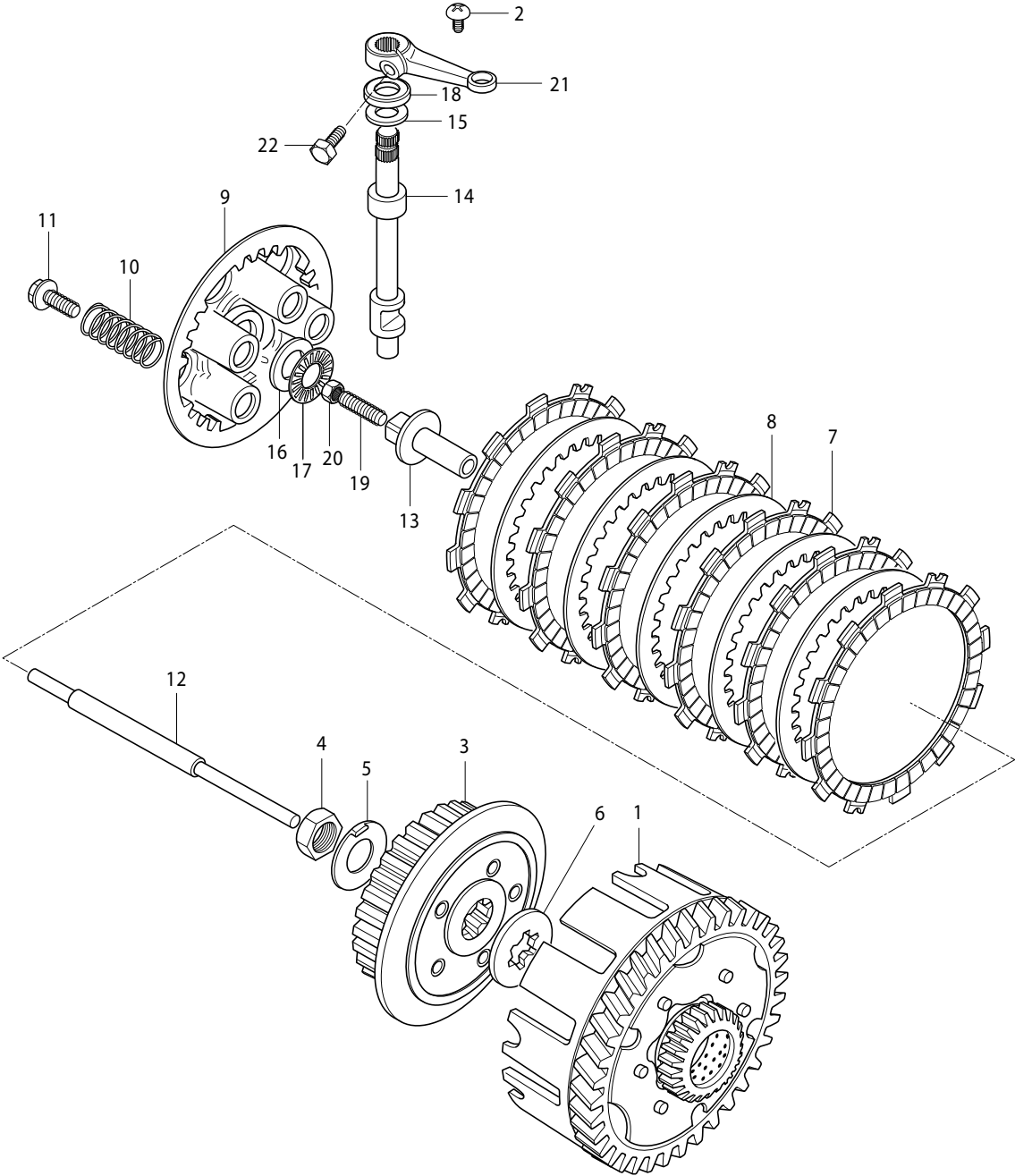


FIG 14. CLUTCH ASS'Y

REF. NO.	GV250 - FI (2008)		GV250N - EI (2009)			PARTS NAME	Q'TY (PCS)	REMARKS
	7EU01/7G01/7S01	8EN01	9EU01/9F01/9G01	8EN01	9EG02			
0	21200HJ8200HPA	21200HJ8200HPA	21200HJ8200HPA	21200HJ8200HPA	21200HJ8200HPA	GEAR ASS'Y,primary driven		
1	21210HJ8201	21210HJ8201	21210HJ8201	21210HJ8201	21210HJ8201	GEAR COMP , primary driven	1	
2	02142-06108	02142-06108	02142-06108	02142-06108	02142-06108	STOPPER , clutch release camshaft oil	1	
3	21411HJ8203	21411HJ8203	21411HJ8203	21411HJ8203	21411HJ8203	HUB, clutch sleeve	1	
4	09140-16014	09140-16014	09140-16014	09140-16014	09140-16014	NUT, clutch sleeve hub	1	
5	09169-16003	09169-16003	09169-16003	09169-16003	09169-16003	WASHER , clutch sleeve hub	1	
6	09167H18001	09167H18001	09167H18001	09167H18001	09167H18001	THRUST WASHER , clutch sleeve hub	1	
7	21441HJ8201	21441HJ8201	21441HJ8201	21441HJ8201	21441HJ8201	PLATE , clutch drive	6	
8	21451HJ8201	21451HJ8201	21451HJ8201	21451HJ8201	21451HJ8201	PLATE , clutch driven	5	
9	21462HJ8201	21462HJ8201	21462HJ8201	21462HJ8201	21462HJ8201	DIS K, clutch pressure	1	
10	09440H16003	09440H16003	09440H16003	09440H16003	09440H16003	SPRING, clutch	5	
11	09116H05001	09116H05001	09116H05001	09116H05001	09116H05001	BOLT, clutch spring	5	
12	23111HJ8202	23111HJ8202	23111HJ8202	23111HJ8202	23111HJ8202	ROD, clutch push	1	
13	23121-38201	23121-38201	23121-38201	23121-38201	23121-38201	PIECE , clutch push	1	
14	23122HG5100	23122HG5100	23122HG5100	23122HG5100	23122HG5100	CAM SHAFT, clutch release	1	
15	08211-10201	08211-10201	08211-10201	08211-10201	08211-10201	THRUST WASHER , clutch release camshaft	1	
16	09160-15015	09160-15015	09160-15015	09160-15015	09160-15015	THRUST WASHER , clutch release	1	
17	09263H15001	09263H15001	09263H15001	09263H15001	09263H15001	THRUST BEARING, clutch release	1	
18	09282-10007	09282-10007	09282-10007	09282-10007	09282-10007	OIL SEAL, clutch release camshaft(10x20x6)	1	
19	09134-06010	09134-06010	09134-06010	09134-06010	09134-06010	SCREW, clutch release adjuster	1	
20	08310-22068	08310-22068	08310-22068	08310-22068	08310-22068	NUT, clutch release adjust	1	
21	23271HJ8250	23271HJ8250	23271HJ8250	23271HJ8250	23271HJ8250	ARM, clutch release	1	
22	01107-06168	01107-06168	01107-06168	01107-06168	01107-06168	BOLT, clutch release arm	1	

FIG.15

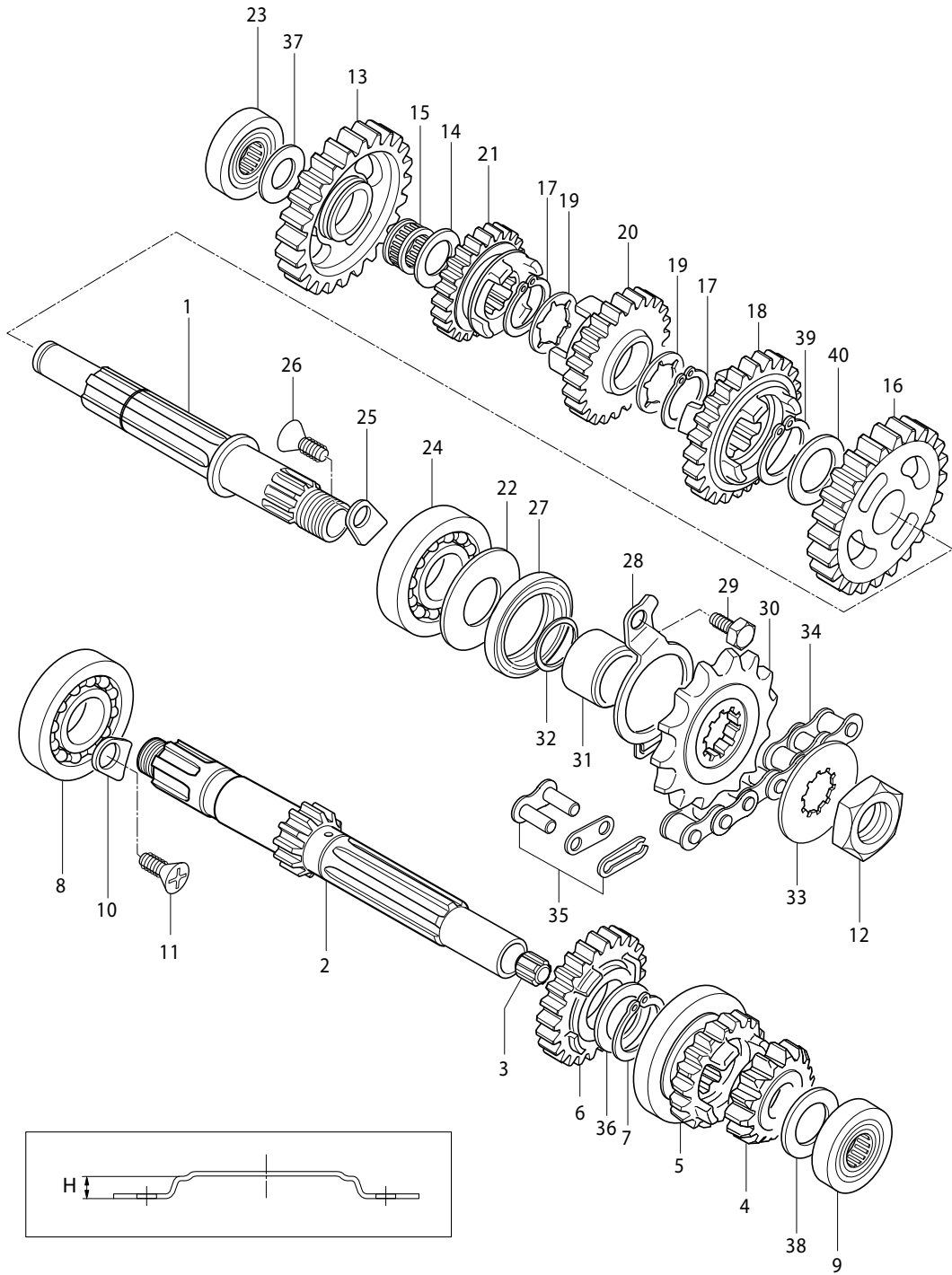


FIG 15. TRANSMISSION

REF. NO.	GV250 - FI (2008)		GV250N - EI (2009)			PARTS NAME	QTY (PCS)	REMARKS
	7EU01/7G01/7S01	SEN01	9EU01/9F01/9G01	SEN01	9EG02			
0	24130HJ8200HPA	24130HJ8200HPA	24130HJ8200HPA	24130HJ8200HPA	24130HJ8200HPA	DRIVE SHAFT ASS'Y	1	
1	24130HJ8201	24130HJ8201	24130HJ8201	24130HJ8201	24130HJ8201	SHAFT COMP , drive	1	
2	24121HJ8202	24121HJ8202	24121HJ8202	24121HJ8202	24121HJ8202	SHAFT, counter	1	
3	24125-38201	24125-38201	24125-38201	24125-38201	24125-38201	BUSH, counter shaft	1	
4	24221HJ8201	24221HJ8201	24221HJ8201	24221HJ8201	24221HJ8201	GEAR , 2nd drive	1	
5	24230HJ8200	24230HJ8200	24230HJ8200	24230HJ8200	24230HJ8200	GEAR COMP , 3rd drive	1	
6	24251HJ8202	24251HJ8202	24251HJ8202	24251HJ8202	24251HJ8202	GEAR , 5th drive	1	
7	09380H20001	09380H20001	09380H20001	09380H20001	09380H20001	CIRCLIP , 5th drive gear	1	
8	08110-62050	08110-62050	08110-62050	08110-62050	08110-62050	BEARING,counter shaft R (#6205)	1	
9	09263H17001	09263H17001	09263H17001	09263H17001	09263H17001	BEARING,counter shaft L	1	
10	24741HG5100	24741HG5100	24741HG5100	24741HG5100	24741HG5100	RETAINER , counter shaft bearing	1	
11	02122-06128	02122-06128	02122-06128	02122-06128	02122-06128	SCREW, counter shaft bearing rtng	1	
12	09140-16017	09140-16017	09140-16017	09140-16017	09140-16017	NUT, engine sprocket	1	
13	24311HJ8200	24311HJ8200	24311HJ8200	24311HJ8200	24311HJ8200	GEAR , 1st driven	1	
14	08211-17261	08211-17261	08211-17261	08211-17261	08211-17261	THRUST WASHER , 1st driven gear L	1	
15	09263H17008	09263H17008	09263H17008	09263H17008	09263H17008	BEARING,1st driven gear	1	
16	24320HJ8200	24320HJ8200	24320HJ8200	24320HJ8200	24320HJ8200	GEAR COMP , 2nd driven	1	
17	09380H20001	09380H20001	09380H20001	09380H20001	09380H20001	CIRCLIP , 4th driven gear	2	
18	24331HJ8200	24331HJ8200	24331HJ8200	24331HJ8200	24331HJ8200	GEAR , 3rd driven	1	
19	09167H18002	09167H18002	09167H18002	09167H18002	09167H18002	THRUST WASHER , 4th driven gear	2	
20	24341HJ8200	24341HJ8200	24341HJ8200	24341HJ8200	24341HJ8200	GEAR , 4th driven	1	
21	24351HJ8202	24351HJ8202	24351HJ8202	24351HJ8202	24351HJ8202	GEAR , 5th driven	1	
22	09160H20011	09160H20011	09160H20011	09160H20011	09160H20011	WASHER , oil sealing	1	
23	09263H17007	09263H17007	09263H17007	09263H17007	09263H17007	BEARING, drive shaft R	1	
24	09262H22016	09262H22016	09262H22016	09262H22016	09262H22016	BEARING, drive shaft L	1	
25	24741HG5100	24741HG5100	24741HG5100	24741HG5100	24741HG5100	RETAINER , drive shaft bearing	1	
26	02122-06128	02122-06128	02122-06128	02122-06128	02122-06128	SCREW, drive shaft bearing retainer	1	
27	09283-27010	09283-27010	09283-27010	09283-27010	09283-27010	OIL SEAL, drive shaft	1	
28	24751HG5102	24751HG5102	24751HG5102	24751HG5102	24751HG5102	RETAINER , drive shaft oil seal	1	
29	01107-06106	01107-06106	01107-06106	01107-06106	01107-06106	BOLT, drive shaft oil seal retainer	2	
30	27510HJ8200	27510HJ8200	27510HJ8200	27510HJ8200	27510HJ8200	SPROCKET COMP, engine 14T(#520)	1	
31	27531HJ8201	27531HJ8201	27531HJ8201	27531HJ8201	27531HJ8201	SPACER ,engine sprocket	1	
32	09280-19005	09280-19005	09280-19005	09280-19005	09280-19005	O-RING, engine sprocket	1	
33	09167-20006	09167-20006	09167-20006	09167-20006	09167-20006	LOCK WASHER , engine sprocket	1	
34	27600HJ8220	27600HJ8220	27600HJ8220	27600HJ8220	27600HJ8220	CHAIN ASS'Y, drive(#520)	1	
35	27620H93B00	27620H93B00	27620H93B00	27620H93B00	27620H93B00	JOINT, chain	1	NOT SALE

FIG.15

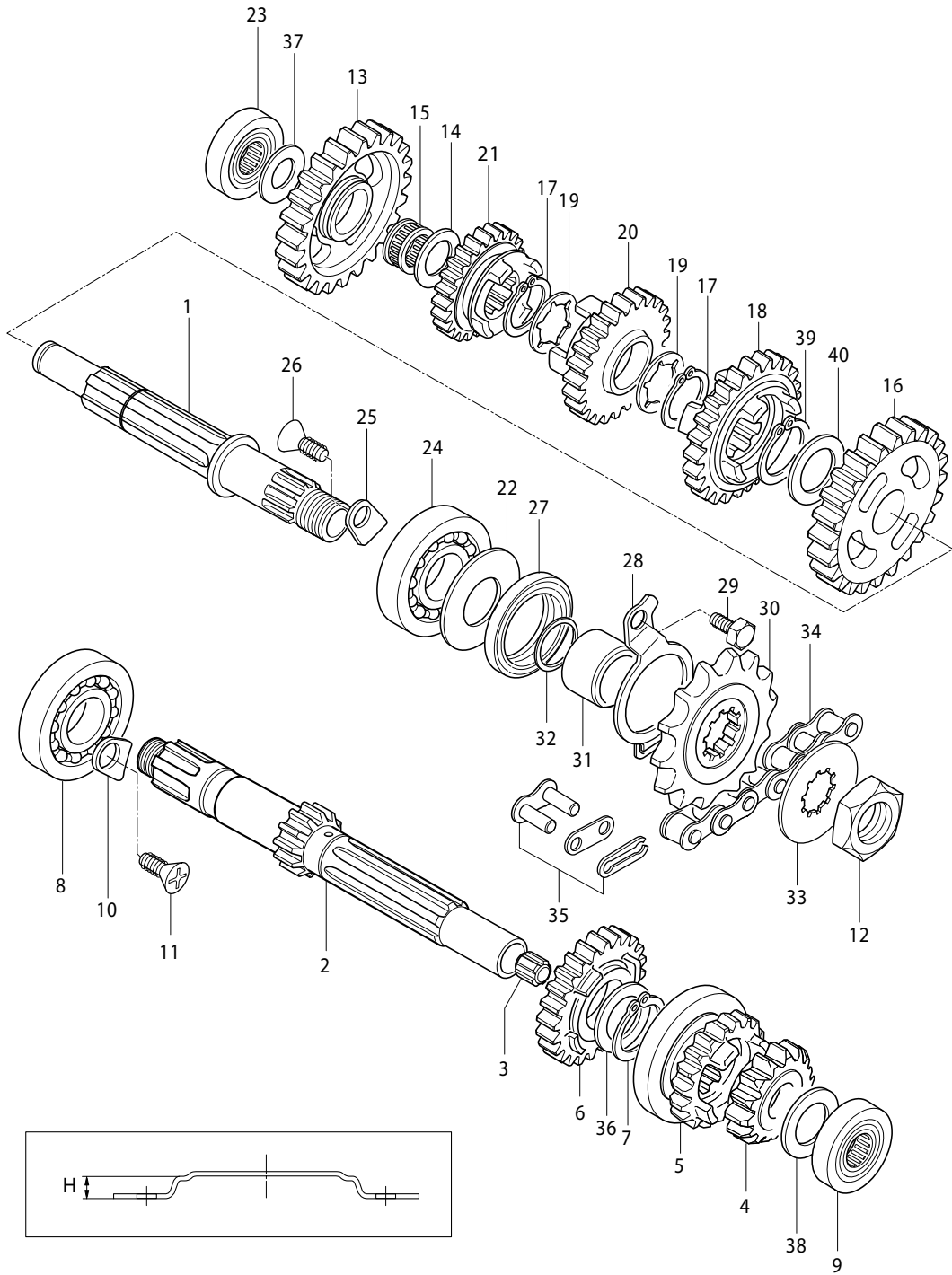


FIG 15. TRANSMISSION

REF. NO.	GV250 - FI (2008)		GV250N - EI (2009)			PARTS NAME	QTY (PCS)	REMARKS
	7EU01/7G01/7S01	8EN01	9EU01/9F01/9G01	8EN01	9EG02			
36	08211-22281	08211-22281	08211-22281	08211-22281	08211-22281	WASHER , 5th drive gear thrust	1	
37	08211-17301	08211-17301	08211-17301	08211-17301	08211-17301	WASHER , drive shaft thrust	1	
38	08211-17301	08211-17301	08211-17301	08211-17301	08211-17301	WASHER , counter shaft thrust	1	
39	09380H20001	09380H20001	09380H20001	09380H20001	09380H20001	CILCLIP , 2nd driven gear	1	
40	08211-22281	08211-22281	08211-22281	08211-22281	08211-22281	WASHER , 2nd driven gear	1	

FIG.16

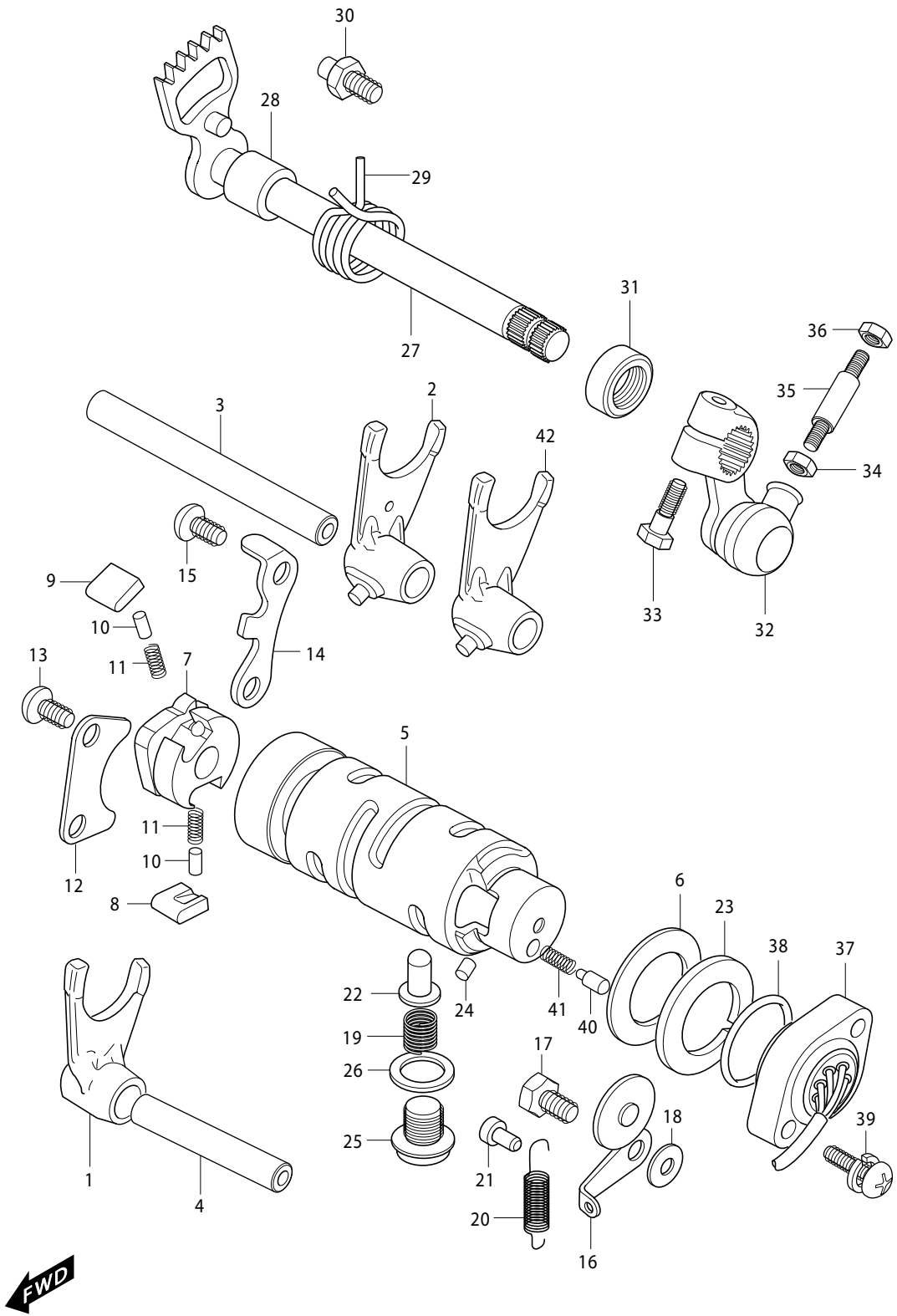


FIG 16. GEAR SHIFTING

REF. NO.	GV250 - FI (2008)		GV250N - EI (2009)			PARTS NAME	QTY (PCS)	REMARKS
	7EU01/7G01/7S01	8EN01	9EU01/9F01/9G01	8EN01	9EG02			
1	25211HJ8200	25211HJ8200	25211HJ8200	25211HJ8200	25211HJ8200	FORK, gear shift No.1	1	
2	25231HJ8200	25231HJ8200	25231HJ8200	25231HJ8200	25231HJ8200	FORK, gear shift No.3	1	
3	25411-05201	25411-05201	25411-05201	25411-05201	25411-05201	SHAFT, gear shift fork No.1	1	
4	25421-35403	25421-35403	25421-35403	25421-35403	25421-35403	SHAFT, gear shift fork No.2	1	
5	25310HJ8200	25310HJ8200	25310HJ8200	25310HJ8200	25310HJ8200	CAM COMP, gear shift	1	
6	08211-25401	08211-25401	08211-25401	08211-25401	08211-25401	WASHER, gear shift cam	1	
7	25322-31301	25322-31301	25322-31301	25322-31301	25322-31301	GEAR, gear shift cam driven	1	
8	25323-34201	25323-34201	25323-34201	25323-34201	25323-34201	PAWL, gear shift No.1	1	
9	25324-34201	25324-34201	25324-34201	25324-34201	25324-34201	PAWL, gear shift No.2	1	
10	09261-05003	09261-05003	09261-05003	09261-05003	09261-05003	PIN, gear shift pawl click	2	
11	09440-04003	09440-04003	09440-04003	09440-04003	09440-04003	SPRING, gear shift pawl return	2	
12	25331-30000	25331-30000	25331-30000	25331-30000	25331-30000	LIFTER, gear shift pawl	1	
13	02122-06128	02122-06128	02122-06128	02122-06128	02122-06128	SCREW, gear shift pawl	2	
14	25341HG5100	25341HG5100	25341HG5100	25341HG5100	25341HG5100	GUIDE, gear shift cam	1	
15	02122-06128	02122-06128	02122-06128	02122-06128	02122-06128	SCREW, gear shift pawl lifter	2	
16	25350HG5100	25350HG5100	25350HG5100	25350HG5100	25350HG5100	STOPPER COMP, gear shift cam	1	
17	09111-06019	09111-06019	09111-06019	09111-06019	09111-06019	BOLT, gear shift cam stopper	1	
18	08211-06141	08211-06141	08211-06141	08211-06141	08211-06141	WASHER, gear shift cam stopper	1	
19	09440H11020	09440H11020	09440H11020	09440H11020	09440H11020	SPRING, gear shift cam stopper	1	
20	09443H08044	09443H08044	09443H08044	09443H08044	09443H08044	SPRING, gear shift cam stopper arm	1	
21	09223-04001	09223-04001	09223-04001	09223-04001	09223-04001	HOOK, gear shift shaft spring	1	
22	25351-30010	25351-30010	25351-30010	25351-30010	25351-30010	STOPPER, gear shift cam neutral	1	
23	25381-45400	25381-45400	25381-45400	25381-45400	25381-45400	PLATE, gear shift cam stopper	1	
24	04221-04069	04221-04069	04221-04069	04221-04069	04221-04069	PIN, gear shift cam stopper plate	1	
25	09247-14026	09247-14026	09247-14026	09247-14026	09247-14026	PLUG, gear shift cam stopper	1	
26	09168H14003	09168H14003	09168H14003	09168H14003	09168H14003	WASHER, gear shift cam stopper plug	1	
27	25510HG5101	25510HG5101	25510HG5101	25510HG5101	25510HG5101	SHAFT COMP, gear shift	1	
28	09180-12068	09180-12068	09180-12068	09180-12068	09180-12068	SPACER, gear shift shaft	1	
29	09444-26013	09444-26013	09444-26013	09444-26013	09444-26013	SPRING, gear shift shaft return	1	
30	25671-01000	25671-01000	25671-01000	25671-01000	25671-01000	STOPPER, gear shift arm	1	
31	09285-12002	09285-12002	09285-12002	09285-12002	09285-12002	OIL SEAL, gear shift shaft	1	
32	25520-32C00	25520-32C00	25520-32C00	25520-32C00	25520-32C00	ARM COMP, gear shift link	1	
33	01107-06208	01107-06208	01107-06208	01107-06208	01107-06208	BOLT, gear shift link arm	1	
34	08310-11068	08310-11068	08310-11068	08310-11068	08310-11068	NUT, gear shift link rod R	1	
35	25525HG5102	25525HG5102	25525HG5102	25525HG5102	25525HG5102	ROD, gear shift link	1	
36	09140-06011	09140-06011	09140-06011	09140-06011	09140-06011	NUT, gear shift link rod L	1	

FIG.16

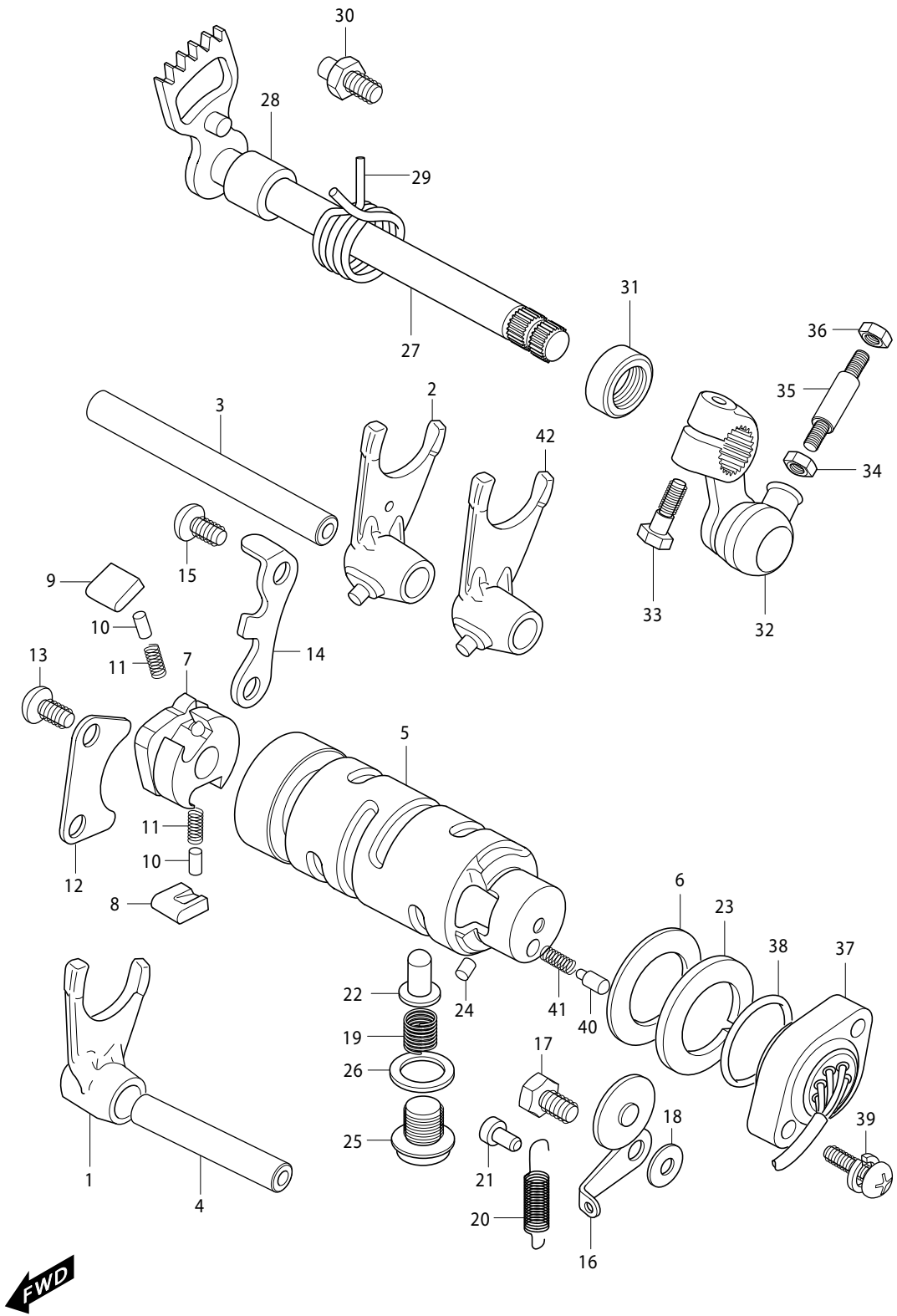


FIG 16. GEAR SHIFTING

REF. NO.	GV250 - FI (2008)		GV250N - EI (2009)			PARTS NAME	QTY (PCS)	REMARKS
	7EU01/7G01/7S01	8EN01	9EU01/9F01/9G01	8EN01	9EG02			
37	37720HR8400	37720HR8400	37720HR8400	37720HR8400	37720HR8400	SENSOR ASS'Y, gear position	1	
38	09280-26003	09280-26003	09280-26003	09280-26003	09280-26003	O-RING, gear shift switch	1	
39	02112-95208	02112-95208	02112-95208	02112-95208	02112-95208	BOLT, gear position sensor	2	
40	09209-05011	09209-05011	09209-05011	09209-05011	09209-05011	CONTACT, gear shift switch	1	
41	09440-04010	09440-04010	09440-04010	09440-04010	09440-04010	SPRING, gear shift switch contact	1	
42	25221HJ8200	25221HJ8200	25221HJ8200	25221HJ8200	25221HJ8200	FORK, gear shift No.2	1	

FIG.17

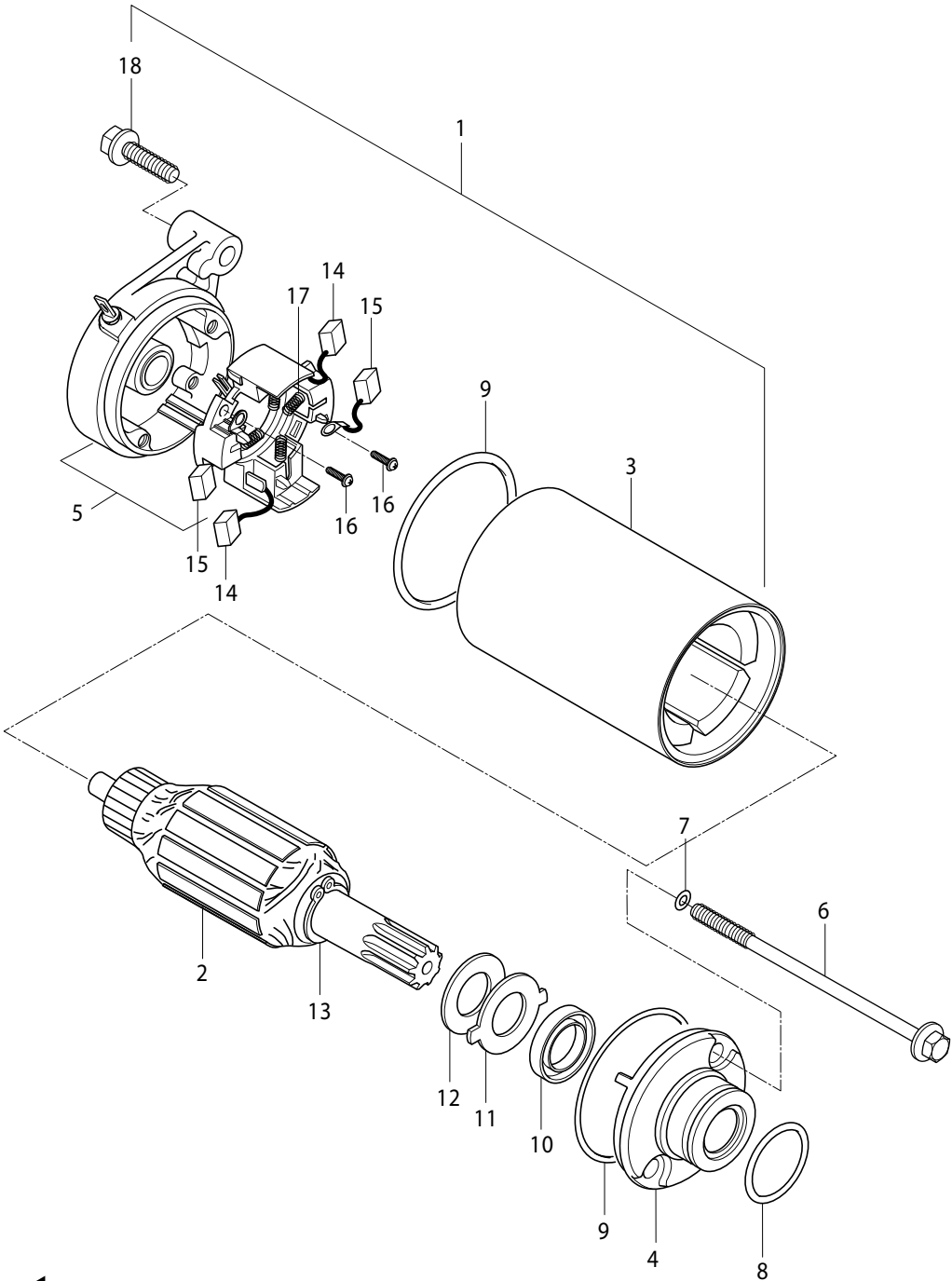


FIG 17. STARTING MOTOR

REF. NO.	GV250 - FI (2008)		GV250N - EI (2009)			PARTS NAME	Q'TY (PCS)	REMARKS
	7EU01/7G01/7S01	8EN01	9EU01/9F01/9G01	8EN01	9EG02			
1	31100HG5100	31100HG5100	31100HG5100	31100HG5100	31100HG5100	MOTOR ASSY, starting	1	
2	31310-11D00	31310-11D00	31310-11D00	31310-11D00	31310-11D00	.ARMATURE ASSY, starter	1	NOT SALE
3	31100-05320	31100-05320	31100-05320	31100-05320	31100-05320	.YOKE ASSY, starter	1	NOT SALE
4	31150-42A01	31150-42A01	31150-42A01	31150-42A01	31150-42A01	.HOUSING ASSY, starter	1	NOT SALE
5	31175HG5100	31175HG5100	31175HG5100	31175HG5100	31175HG5100	.FRAME ASSY, commutator	1	NOT SALE
6	31281-32C10	31281-32C10	31281-32C10	31281-32C10	31281-32C10	.BOLT, through	2	NOT SALE
7	31156-38300	31156-38300	31156-38300	31156-38300	31156-38300	.O-RING	2	NOT SALE
8	09280-24003	09280-24003	09280-24003	09280-24003	09280-24003	.O-RING	1	NOT SALE
9	31264-35C10	31264-35C10	31264-35C10	31264-35C10	31264-35C10	.O-RING	2	NOT SALE
10	31153-49210	31153-49210	31153-49210	31153-49210	31153-49210	.SEAL, oil	1	NOT SALE
11	31361-32C00	31361-32C00	31361-32C00	31361-32C00	31361-32C00	.PLATE, lock	1	NOT SALE
12	31361-38300	31361-38300	31361-38300	31361-38300	31361-38300	.WASHER, plate lock	1	NOT SALE
13	31361-10200	31361-10200	31361-10200	31361-10200	31361-10200	.RING, shaft snap	1	NOT SALE
14	31132-32C10	31132-32C10	31132-32C10	31132-32C10	31132-32C10	.BRUSH SUB-ASSY, starter	2	NOT SALE
15	31131-32C20	31131-32C20	31131-32C20	31131-32C20	31131-32C20	.BRUSH, starter	2	NOT SALE
16	31114-32C10	31114-32C10	31114-32C10	31114-32C10	31114-32C10	.SCREW	2	NOT SALE
17	31135-32C10	31135-32C10	31135-32C10	31135-32C10	31135-32C10	.SPRING, compression coil	4	NOT SALE
18	01547-06308	01547-06308	01547-06308	01547-06308	01547-06308	BOLT, starting motor	2	

FIG 18

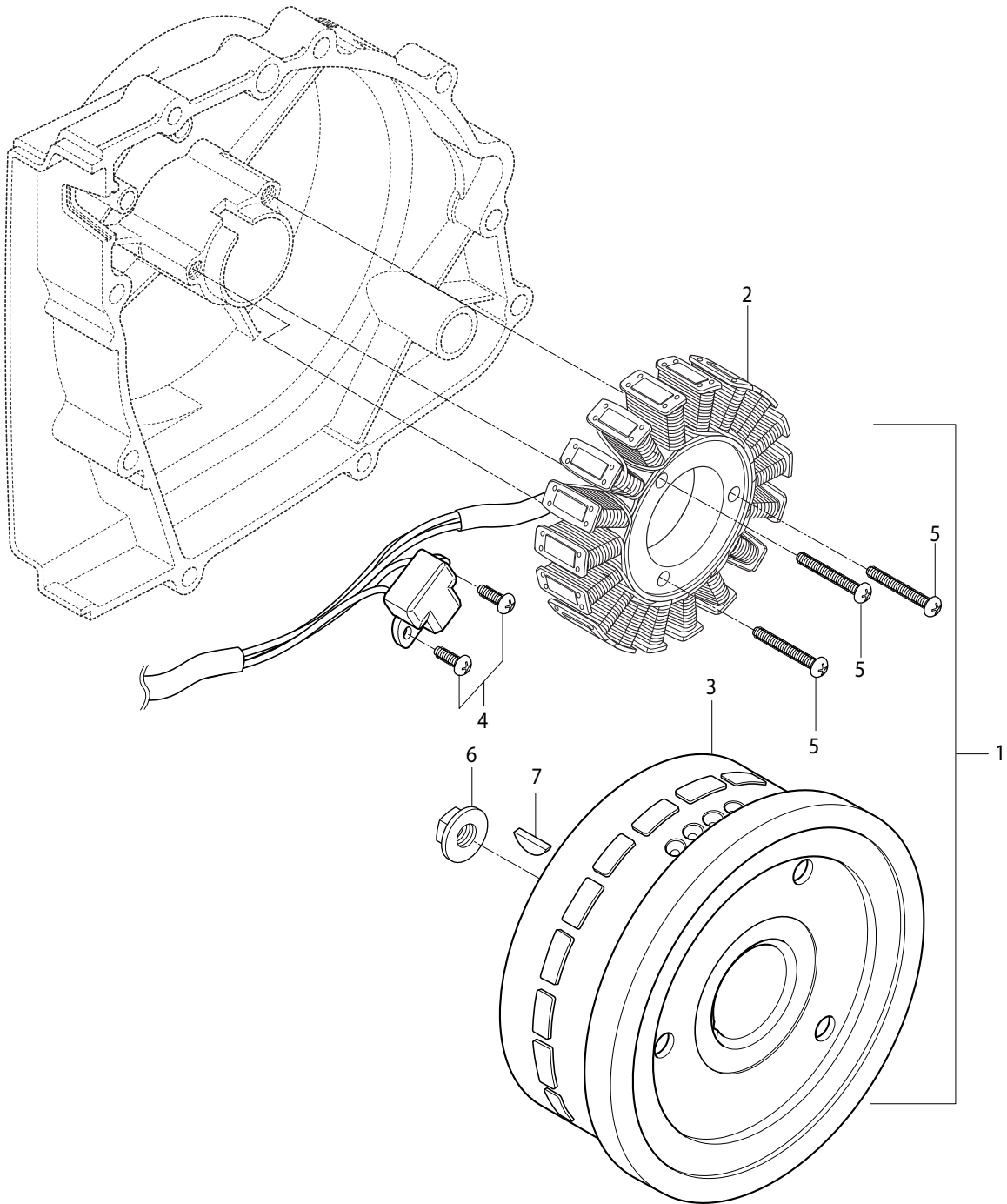


FIG 18. MAGNETO ASS'Y

REF. NO.	GV250 - FI (2008)		GV250N - EI (2009)			PARTS NAME	Q'TY (PCS)	REMARKS
	7EU01/7G01/7S01	8EN01	9EU01/9F01/9G01	8EN01	9EG02			
1	32100HR8400	32100HR8400	32100H88400	32100H88400	32100H88400	MAGNETO ASS'Y	1	
2			32101HR8400	32101HR8400	32101HR8400	STATOR ASS'Y	1	NOT SALE
3			32102H88400	32102H88400	32102H88400	ROTOR , fly wheel	1	NOT SALE
4	02142-05128	02142-05128	02142-05128	02142-05128	02142-05128	SCREW, pick-up coil	2	
5	02112-05258	02112-05258	02112-05258	02112-05258	02112-05258	SCREW, magneto stator	3	
6	08316-26128	08316-26128	08316-26128	08316-26128	08316-26128	NUT, magneto fly wheel	1	
7	08341-31049	08341-31049	08341-31049	08341-31049	08341-31049	KEY, magneto	1	

FIG 19

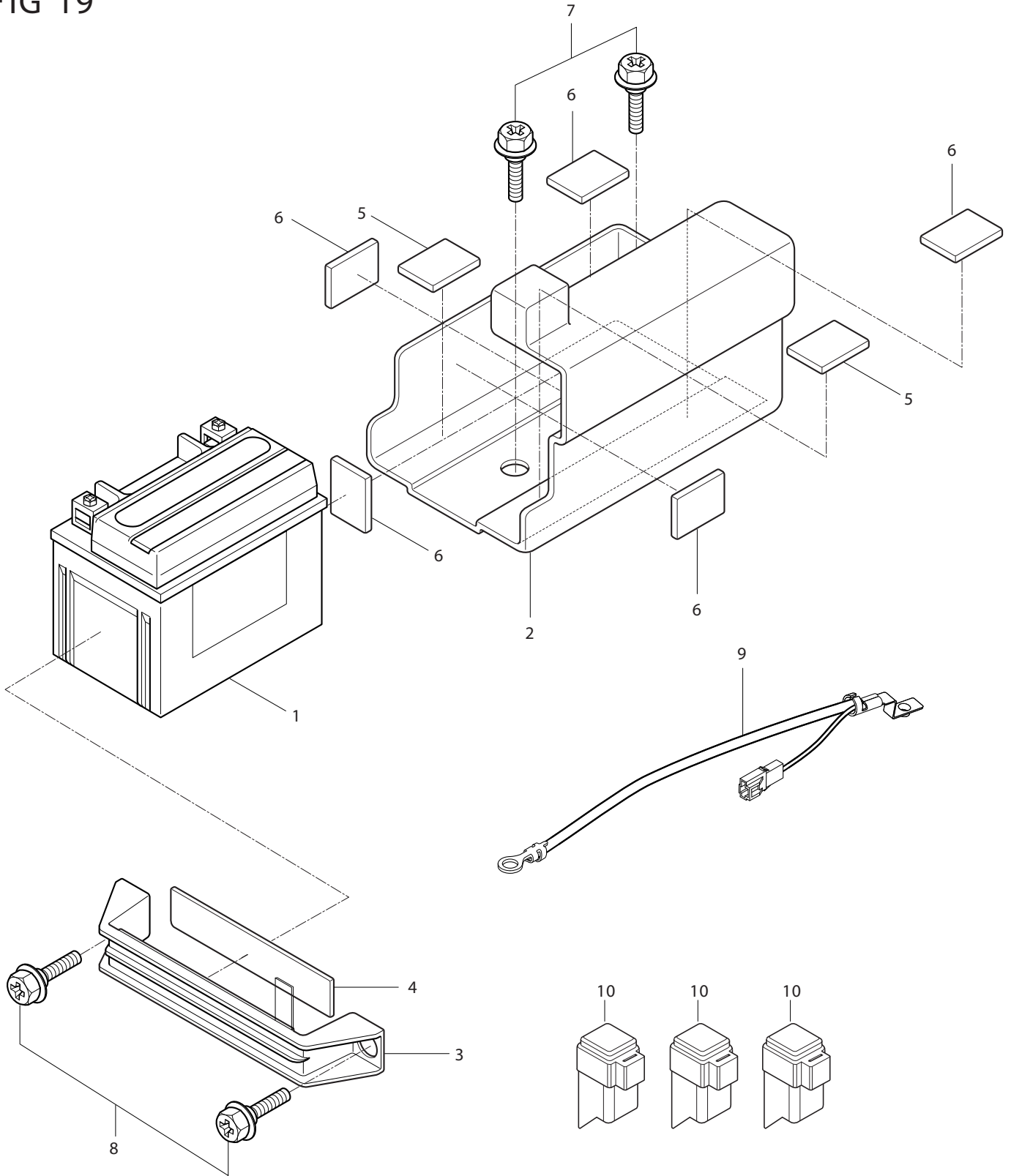


FIG 19. BATTERY

REF. NO.	GV250 - FI (2008)		GV250N - EI (2009)			PARTS NAME	QTY (PCS)	REMARKS
	7EU01/7G01/7S01	8EN01	9EU01/9F01/9G01	8EN01	9EG02			
1	33610HP8800	33610HP8800	33610HP8800	33610HP8800	33610HP8800	BATTERY ASS'Y	1	
2	41541HG5105	41541HG5105	41541HG5105	41541HG5105	41541HG5105	HOLDER , battery	1	
3	41542HG5103	41542HG5103	41542HG5103	41542HG5103	41542HG5103	BAND, battery holder	1	
4	33652-29100	33652-29100	33652-29100	33652-29100	33652-29100	CUSHION, battery holder band	1	
5	46416HE6100	46416HE6100	46416HE6100	46416HE6100	46416HE6100	CUSHION, battery holder no.1	2	
6	33652-01A10	33652-01A10	33652-01A10	33652-01A10	33652-01A10	CUSHION, battery holder no.2	5	
7	02142-06166	02142-06166	02142-06166	02142-06166	02142-06166	BOLT, battery holder	2	
8	09128-06039	09128-06039	09128-06039	09128-06039	09128-06039	BOLT, battery holder band	2	
9	33860HG5100	33860HG5100	33860HG5100	33860HG5100	33860HG5100	LEADWIRE , battery minus	1	
10	38740HG5100	38740HG5100	38740HG5100	38740HG5100	38740HG5100	RELAY ASS'Y. 12V 20A	3	

FIG.20

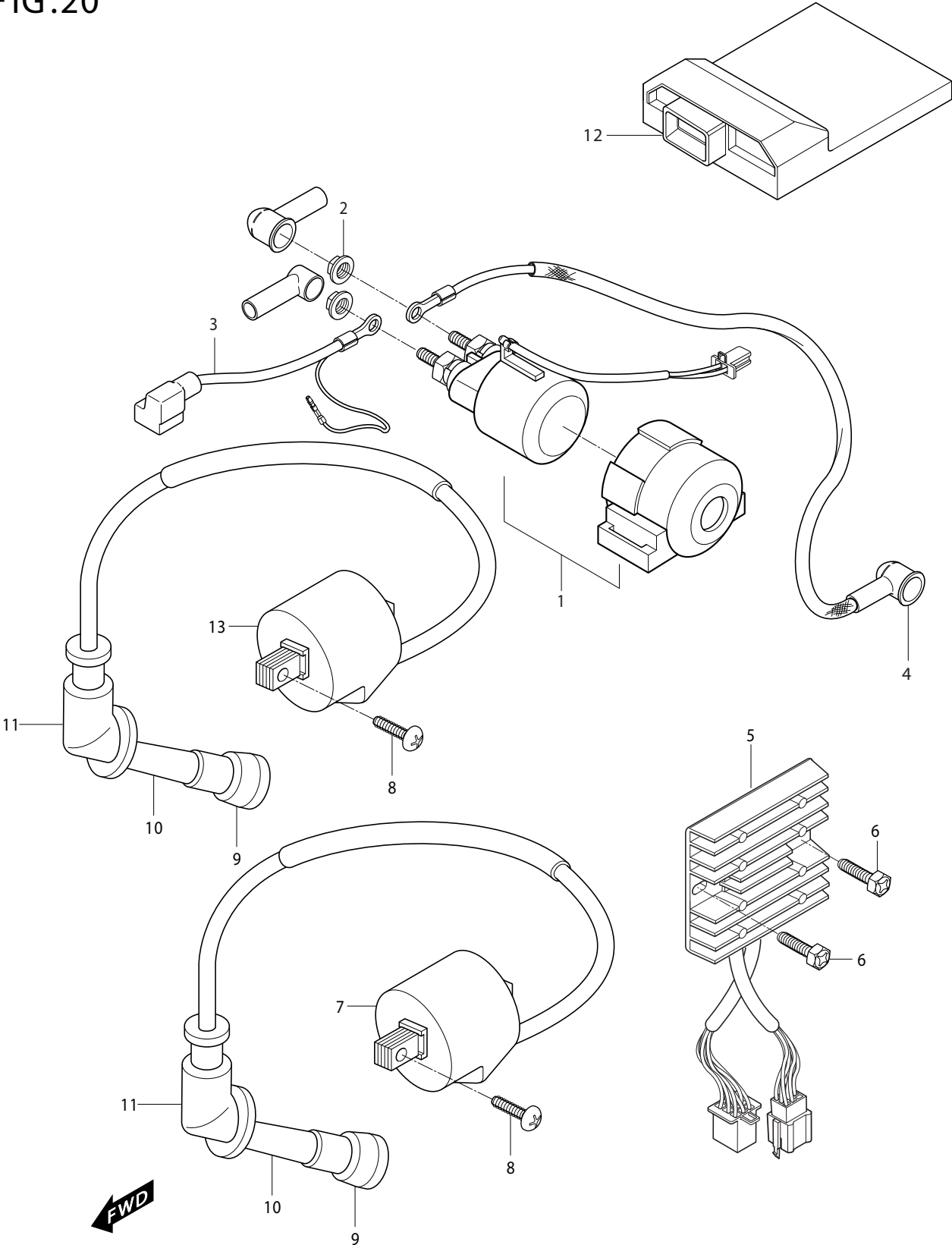


FIG 20. ELECTRICAL

REF. NO.	GV250 - FI (2008)		GV250N - EI (2009)			PARTS NAME	Q'TY (PCS)	REMARKS
	7EU01/7G01/7S01	8EN01	9EU01/9F01/9G01	8EN01	9EG02			
1	31800HG5100	31800HG5100	31800HG5100	31800HG5100	31800HG5100	RELAY ASS'Y, starting motor	1	
2	08316-26066	08316-26066	08316-26066	08316-26066	08316-26066	NUT, starter motor relay terminal	2	
3	33840HL8200	33840HL8200	33840HL8200	33840HL8200	33840HL8200	LEAD WIRE, battery plus	1	
4	33850H93B01	33850H93B01	33850H93B01	33850H93B01	33850H93B01	LEAD WIRE, starter motor	1	
5	32800HN9101	32800HN9101	32800HN9101	32800HN9101	32800HN9101	RECTIFIER regulator ass'y	1	
6	09128-06035	09128-06035	09128-06035	09128-06035	09128-06035	BOLT, rectifier	2	
7	33410HN9120	33410HN9120	33410HP9310	33410HP9310	33410HP9310	COIL ASS'Y, ignition front	1	
8	09128H06052	09128H06052	09128H06052	09128H06052	09128H06052	BOLT, ignition coil	4	
9	33541-23E01	33541-23E01	33541-23E01	33541-23E01	33541-23E01	SEAL, spark plug	2	NOT SALE
10	33510-05C01	33510-05C01	33510-05C01	33510-05C01	33510-05C01	CAP, spark plug	2	including No.9 +No.11
11	33542-24D00	33542-24D00	33542-24D00	33542-24D00	33542-24D00	SEAL, high tension cord	2	NOT SALE
12	32900HR8400	32900HR8400	32900HR8400	32900HR8400	32900HR8400	ENGINE CONTROL UNIT	1	
13	33410HP8800	33410HP8800	33430HP9310	33430HP9310	33430HP9310	COIL ASS'Y, ignition rear	1	
14	09180-06072	09180-06072	09180-06072	09180-06072	09180-06072	SPACER, ignition coil	4	

FIG.21

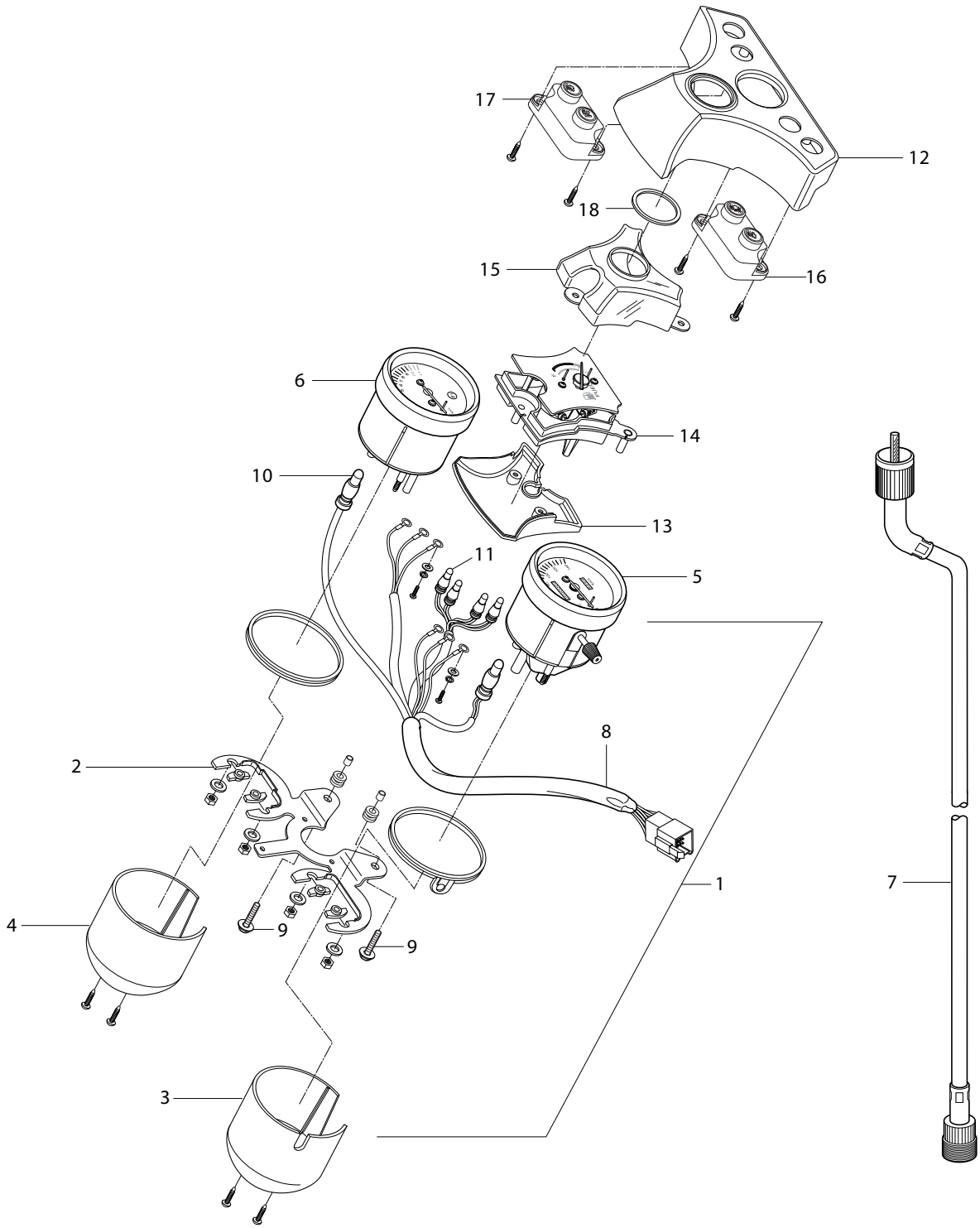


FIG 21. SPEEDOMETER ASS'Y

REF. NO.	GV250 - FI (2008)		GV250N - EI (2009)			PARTS NAME	Q'TY (PCS)	REMARKS
	7EU01/7G01/7S01	8EN01	9EU01/9F01/9G01	8EN01	9EG02			
1	34100HR84A0	34100HR84A0	34100HR84A0	34100HR84A0	34100HR84A0	SPEEDOMETER ASS'Y	1	
2	34950HG5100	34950HG5100	34950HG5100	34950HG5100	34950HG5100	BRACKET	1	NOT SALE
3	34150H93B00	34150H93B00	34150H93B00	34150H93B00	34150H93B00	LOWER CASE, speedometer	1	NOT SALE
4	34106H93B00	34106H93B00	34106H93B00	34106H93B00	34106H93B00	LOWER CASE, tachometer	1	NOT SALE
5	34110HJ8200	34110HJ8200	34110HJ8200	34110HJ8200	34110HJ8200	SPEEDOMETER	1	NOT SALE
6	34120HR84A0	34120HR84A0	34120HR84A0	34120HR84A0	34120HR84A0	TACHOMETER	1	NOT SALE
7	34910HG5103	34910HG5103	34910HG5103	34910HG5103	34910HG5103	CABLE ASS'Y, speedometer	1	NOT SALE
8	34117HR84A0	34117HR84A0	34117HR84A0	34117HR84A0	34117HR84A0	WIRING ASS'Y, speedometer	1	NOT SALE
9	09116-06010	09116-06010	09116-06010	09116-06010	09116-06010	BOLT, speedometer bracket	2	NOT SALE
10	09471-12128	09471-12128	09471-12128	09471-12128	09471-12128	BULB(12V 1.7W) T10	2	NOT SALE
11	09471-12077	09471-12077	09471-12077	09471-12077	09471-12077	BULB(12V 1.7W) T6.5	4	NOT SALE
12	39110HG5100	39110HG5100	39110HG5100	39110HG5100	39110HG5100	INDICATOR LAMP UPPER	1	NOT SALE
13	39120HG5100	39120HG5100	39120HG5100	39120HG5100	39120HG5100	INDICATOR LAMP LOWER	1	NOT SALE
14	34136HG5100	34136HG5100	34136HG5100	34136HG5100	34136HG5100	COVER, fuel meter	1	NOT SALE
15	34135HG5100	34135HG5100	34135HG5100	34135HG5100	34135HG5100	LENS, fuel meter	1	NOT SALE
16	34320HG5100	34320HG5100	34320HG5100	34320HG5100	34320HG5100	LAMP, housing LH	1	NOT SALE
17	34310HG5100	34310HG5100	34310HG5100	34310HG5100	34310HG5100	LAMP, housing RH	1	NOT SALE
18	34350HG5100	34350HG5100	34350HG5100	34350HG5100	34350HG5100	PACKING, fuel meter	1	NOT SALE

FIG.22

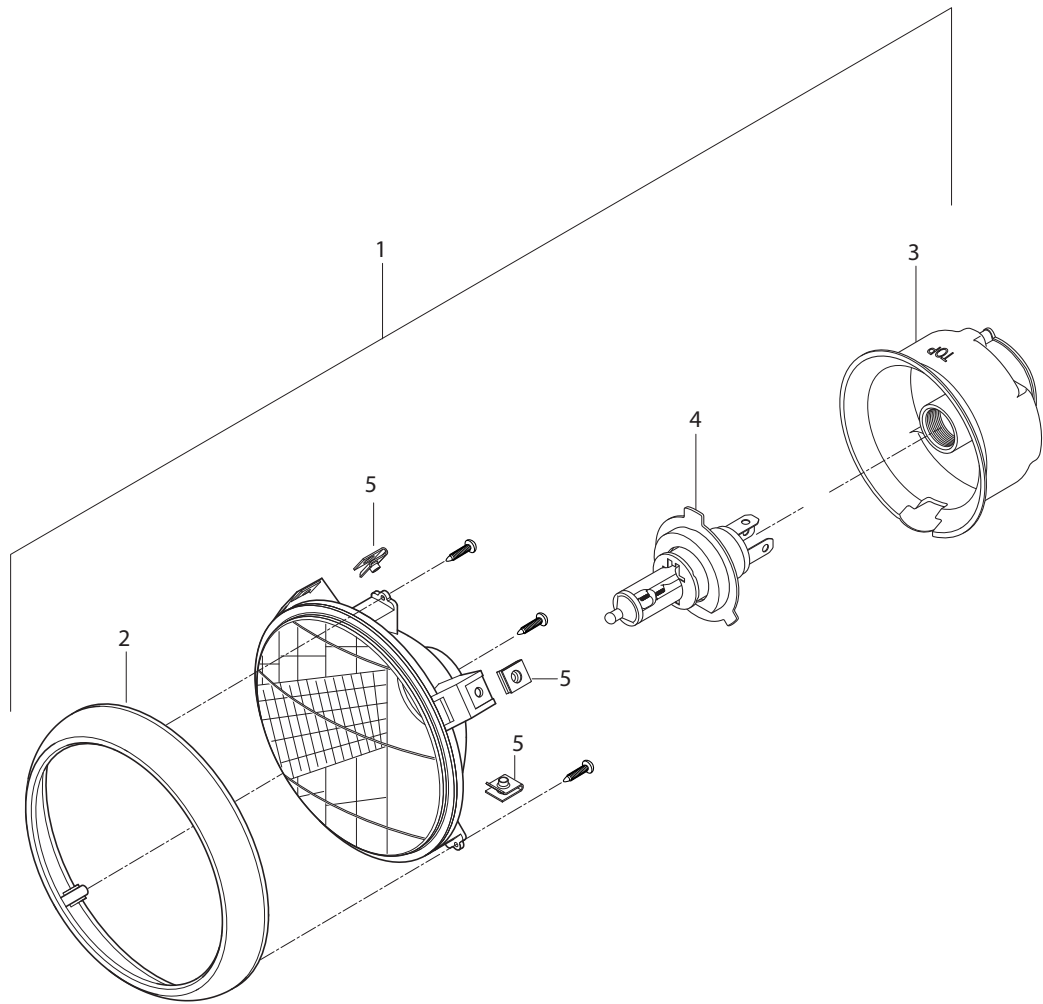


FIG 22. HEAD LAMP

REF. NO.	GV250 - F1 (2008)		GV250N - E1 (2009)			PARTS NAME	Q'TY (PCS)	REMARKS
	7EU01/7G01/7S01	8EN01	9EU01/9F01/9G01	8EN01	9EG02			
1	35100HM8152		35100HM8152			HEAD LAMP ASS'Y		
		35100HM8162		35100HM8162	35100HM8162	HEAD LAMP ASS'Y	1	
2	35111HM8100	35111HM8100	35111HM8100	35111HM8100	35111HM8100	RIM, headlamp	1	
3	35173HM8100	35173HM8100	35173HM8100	35173HM8100	35173HM8100	DUST COVER	1	
4	09471H12104	09471H12104	09471H12104	09471H12104	09471H12104	BULB, head lamp(12v 60/55w)	1	
5	09148-05039	09148-05039	09148-05039	09148-05039	09148-05039	NUT, head lamp(M5)	3	

FIG.23

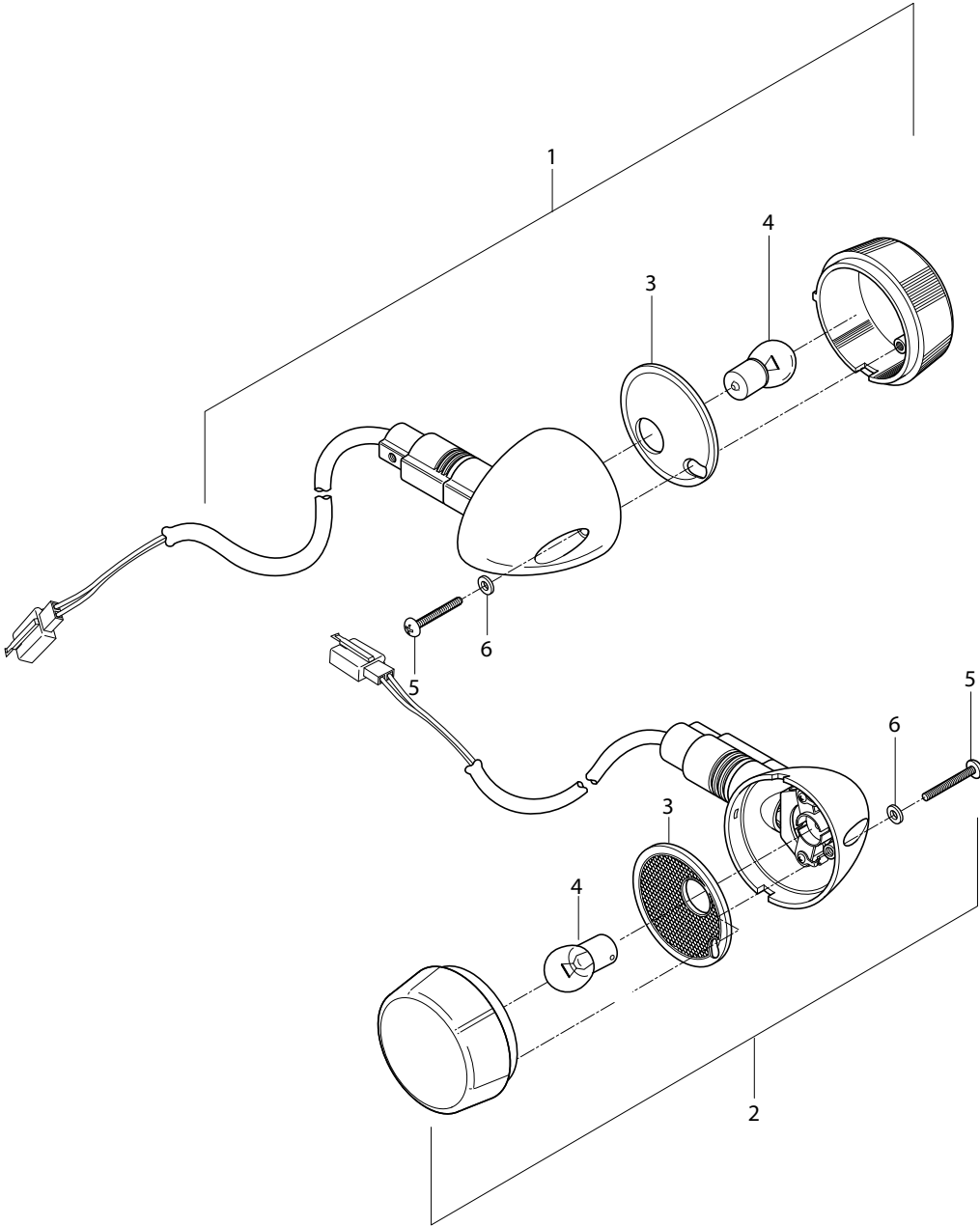


FIG 23. FRONT TURN SIGNAL LAMP

REF. NO.	GV250 - FI (2008)		GV250N - EI (2009)			PARTS NAME	Q'TY (PCS)	REMARKS
	7EU01/7G01/7S01	8EN01	9EU01/9F01/9G01	8EN01	9EG02			
1	35601HS8400	35601HS8400	35601HS8400	35601HS8400	35601HS8400	LAMP ASS'Y, Ft turnsignal R	1	
2	35602HS8400	35602HS8400	35602HS8400	35602HS8400	35602HS8400	LAMP ASS'Y, Ft turnsignal L	1	
3	35614HS8400	35614HS8400	35614HS8400	35614HS8400	35614HS8400	REFLECTOR	2	NOT SALE
4	09471-12003	09471-12003	09471-12003	09471-12003	09471-12003	BULB(12V, 10W)	2	NOT SALE
5	02142-05246	02142-05246	02142-05246	02142-05246	02142-05246	SCREW, turnignal lamp	2	NOT SALE
6	35609H93B00	35609H93B00	35609H93B00	35609H93B00	35609H93B00	VINYL WASHER	2	NOT SALE

FIG.24

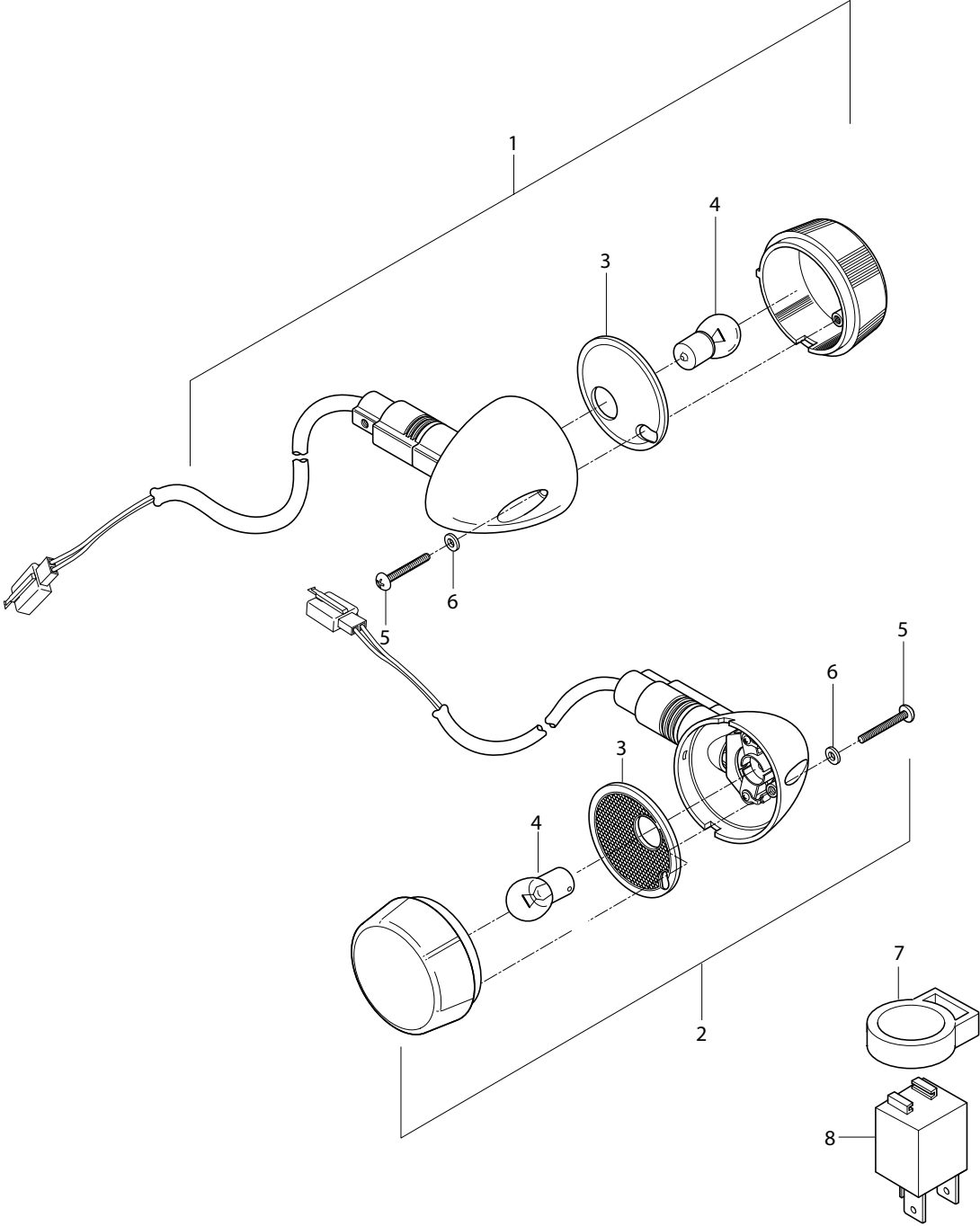


FIG 24. REAR TURN SIGNAL LAMP

REF. NO.	GV250 - FI (2008)		GV250N - EI (2009)			PARTS NAME	Q'TY (PCS)	REMARKS
	7EU01/7G01/7S01	8EN01	9EU01/9F01/9G01	8EN01	9EG02			
1	35603HS8400	35603HS8400	35603HS8400	35603HS8400	35603HS8400	LAMP ASS'Y, Rr turnsignal R	1	
2	35604HS8400	35604HS8400	35604HS8400	35604HS8400	35604HS8400	LAMP ASS'Y, Rr turnsignal L	1	
3	35614HS8400	35614HS8400	35614HS8400	35614HS8400	35614HS8400	REFLECTOR	2	NOT SALE
4	03211-04358	03211-04358	03211-04358	03211-04358	03211-04358	BULB(12V, 10W)	2	NOT SALE
5	02142-05246	02142-05246	02142-05246	02142-05246	02142-05246	SCREW, turnsignal lamp	2	NOT SALE
6	35609H93B00	35609H93B00	35609H93B00	35609H93B00	35609H93B00	VINYL WASHER	2	NOT SALE
7	38612H11200	38612H11200	38612H11200	38612H11200	38612H11200	BAND, turnsignal	1	NOT SALE
8	39610HR9700	39610HR9700	39610HR9700	39610HR9700	39610HR9700	RELAY ASS'Y, turnsignal	1	NOT SALE

FIG.25

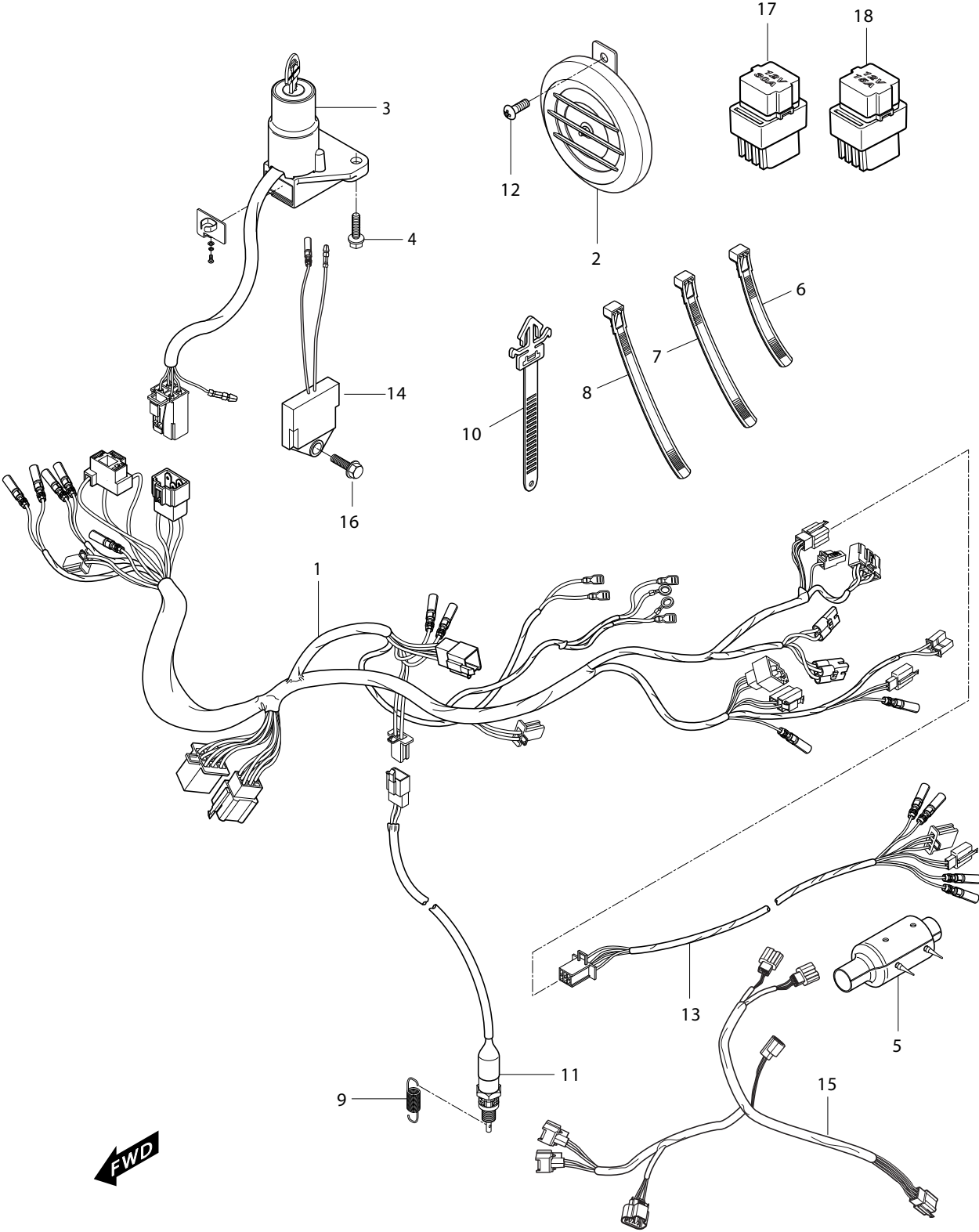


FIG 25. WIRING HARNESS

REF. NO.	GV250 - FI (2008)		GV250N - EI (2009)			PARTS NAME	Q'TY (PCS)	REMARKS
	7EU01/7G01/7S01	8EN01	9EU01/9F01/9G01	8EN01	9EG02			
1	36610HR8452	36610HR8452	36610HR8451	36610HR8450	36610HR8401	HARNASS, wiring	1	
2	38500HG5100	38500HG5100	38500HG5100	38500HG5100	38500HG5100	HORN ASS'Y	1	
3	38510H93B00	38510H93B00	38510H93B00	38510H93B00	38510H93B00	LOCK ASSY, steering	1	
4	01517-06166	01517-06166	01517-06166	01517-06166	01517-06166	BOLT, steering lock	2	
5	36618-30610	36618-30610	36618-30610	36618-30610	36618-30610	TUBE, magneto lead wire	1	
6	09407-14403	09407-14403	09407-14403	09407-14403	09407-14403	CLAMP, wiring harness	3	
7	09407-20406	09407-20406	09407-20406	09407-20406	09407-20406	CLAMP, wiring harness	2	
8	09407-22402	09407-22402	09407-22402	09407-22402	09407-22402	CLAMP, wiring harness	2	
9	09443-06012	09443-06012	09443-06012	09443-06012	09443-06012	SPRING	1	
10	09407-14408	09407-14408	09407-14408	09407-14408	09407-14408	CLAMP, wiring harness	3	
11	37740H93B00	37740H93B00	37740H93B00	37740H93B00	37740H93B00	SWITCH ASS'Y, brake lamp	1	
12	02112-36128	02112-36128	02112-36128	02112-36128	02112-36128	SCREW, horn	1	
13	36670HJ8200	36670HJ8200	36670HJ8200	36670HJ8200	36670HJ8200	LEAD WIRE, rear compi	1	
14	37890HP8800	37890HP8800	37890HP8810	37890HP8810	37890HP8810	SENSOR ASS'Y, tip over	1	
15	17760H88600	17760H88600	17760H88600	17760H88600	17760H88600	LEAD WIRE, sensor parts	1	
16	02142-06165	02142-06165	02142-06165	02142-06165	02142-06165	SCREW, tip over sensor	1	
17	36740HN9100	36740HN9100	36740HN9100	36740HN9100	36740HN9100	BOX ASS'Y, fuse(30A)	1	
18	36740-35C00	36740-35C00	36740-35C00	36740-35C00	36740-35C00	BOX ASS'Y, fuse(15A)	1	

FIG.26

FWD

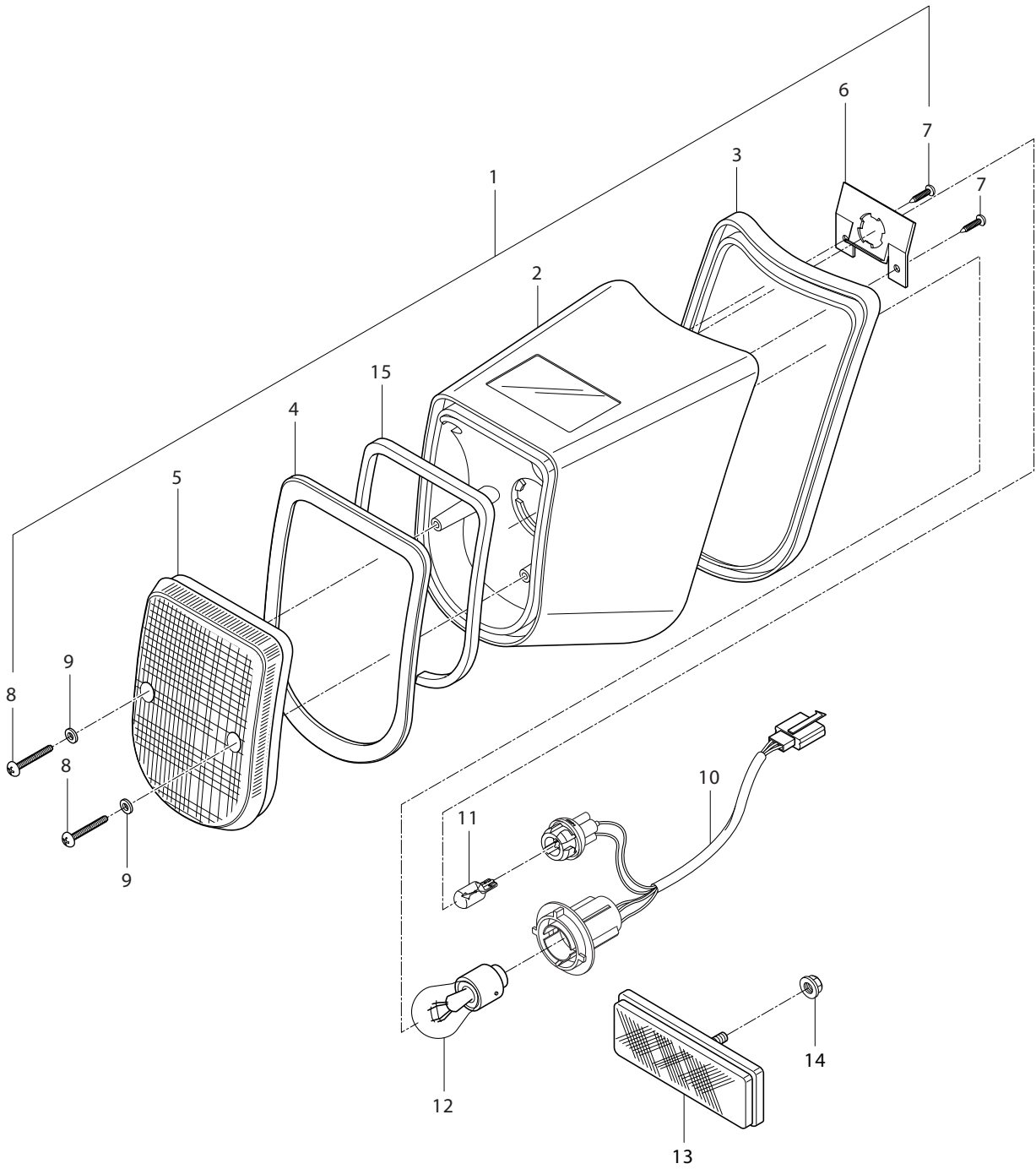


FIG 26. REAR COMBINATION

REF. NO.	GV250 - FI (2008)		GV250N - EI (2009)			PARTS NAME	Q'TY (PCS)	REMARKS
	7EU01/7G01/7S01	8EN01	9EU01/9F01/9G01	8EN01	9EG02			
1	35710HJ8251	35710HJ8251	35710HJ8251	35710HJ8251	35710HJ8251	LAMP ASS'Y, rear combi	1	
2	35720HJ8200	35720HJ8200	35720HJ8200	35720HJ8200	35720HJ8200	REFLECTOR, housing	1	
3	35718HJ8200	35718HJ8200	35718HJ8200	35718HJ8200	35718HJ8200	RUBBER, housing	1	
4	35716HJ8200	35716HJ8200	35716HJ8200	35716HJ8200	35716HJ8200	BRACKET, reflector	1	
5	35712HJ8250	35712HJ8250	35712HJ8250	35712HJ8250	35712HJ8250	LENS, tail & stop	1	
6	35927HJ8200	35927HJ8200	35927HJ8200	35927HJ8200	35927HJ8200	BRACKET, license	1	NOT SALE
7	03211-04126	03211-04126	03211-04126	03211-04126	03211-04126	SCREW, license(M4x12)	2	
8	03211-04206	03211-04206	03211-04206	03211-04206	03211-04206	SCREW, lens(M4x20)	2	
9	35609H93B00	35609H93B00	35609H93B00	35609H93B00	35609H93B00	VINYL WASHER	2	
10	35760HJ8200	35760HJ8200	35760HJ8200	35760HJ8200	35760HJ8200	SOCKET ASS'Y	1	
11	09471-12210	09471-12210	09471-12210	09471-12210	09471-12210	BULB, license lamp(12V 5W)	1	
12	09471-12046	09471-12046	09471-12046	09471-12046	09471-12046	BULB, tail & stop(12V 21/5W)	1	
13	35970-17301	35970-17301	35970-17301	35970-17301	35970-17301	REFLEX REFLECTOR ASS'Y, rear	1	
14	08316-26055	08316-26055	08316-26055	08316-26055	08316-26055	NUT, rear reflex reflector	1	
15	35722HJ8200	35722HJ8200	35722HJ8200	35722HJ8200	35722HJ8200	SPONGE, tail & stop	1	

FIG 27

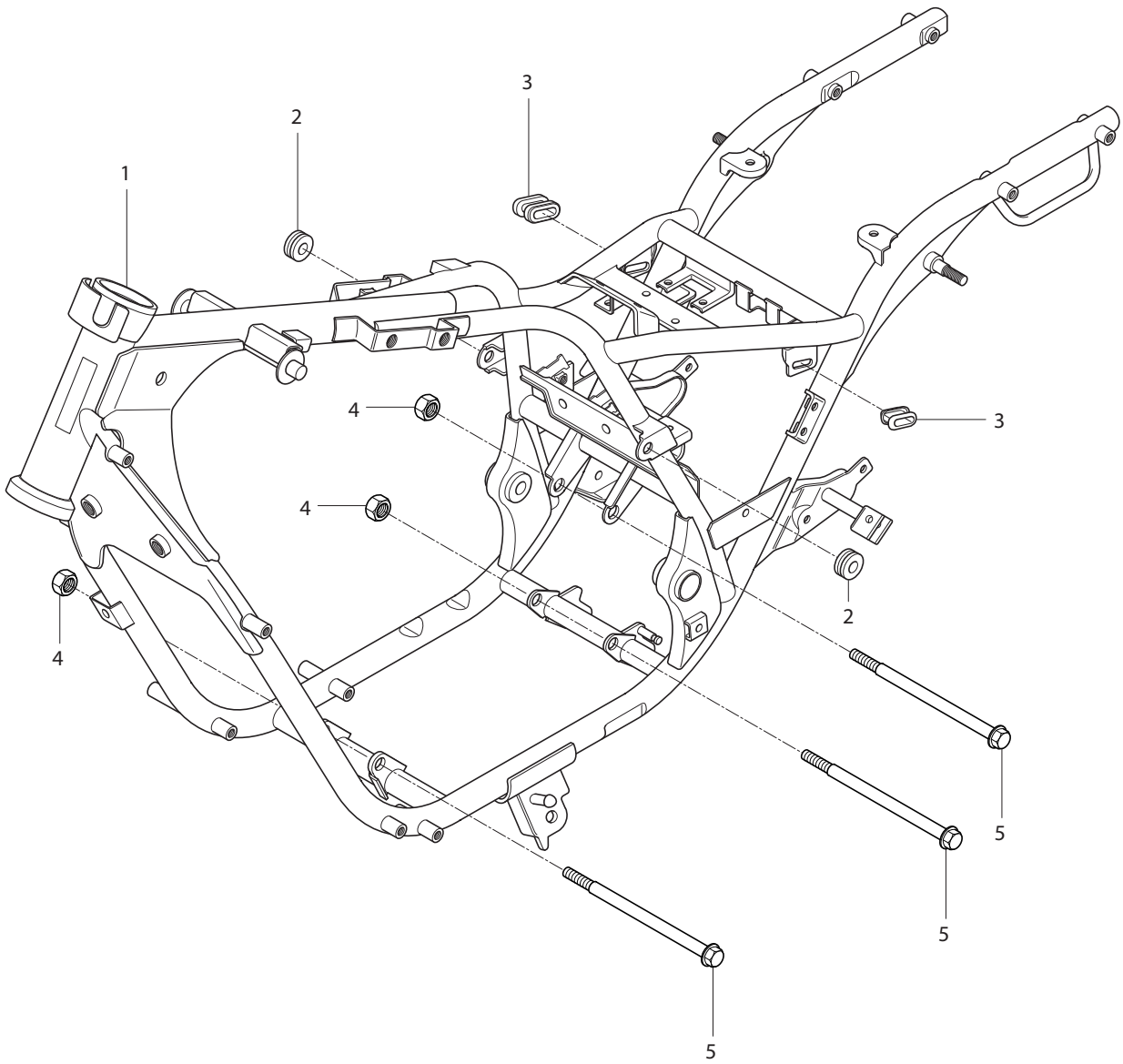
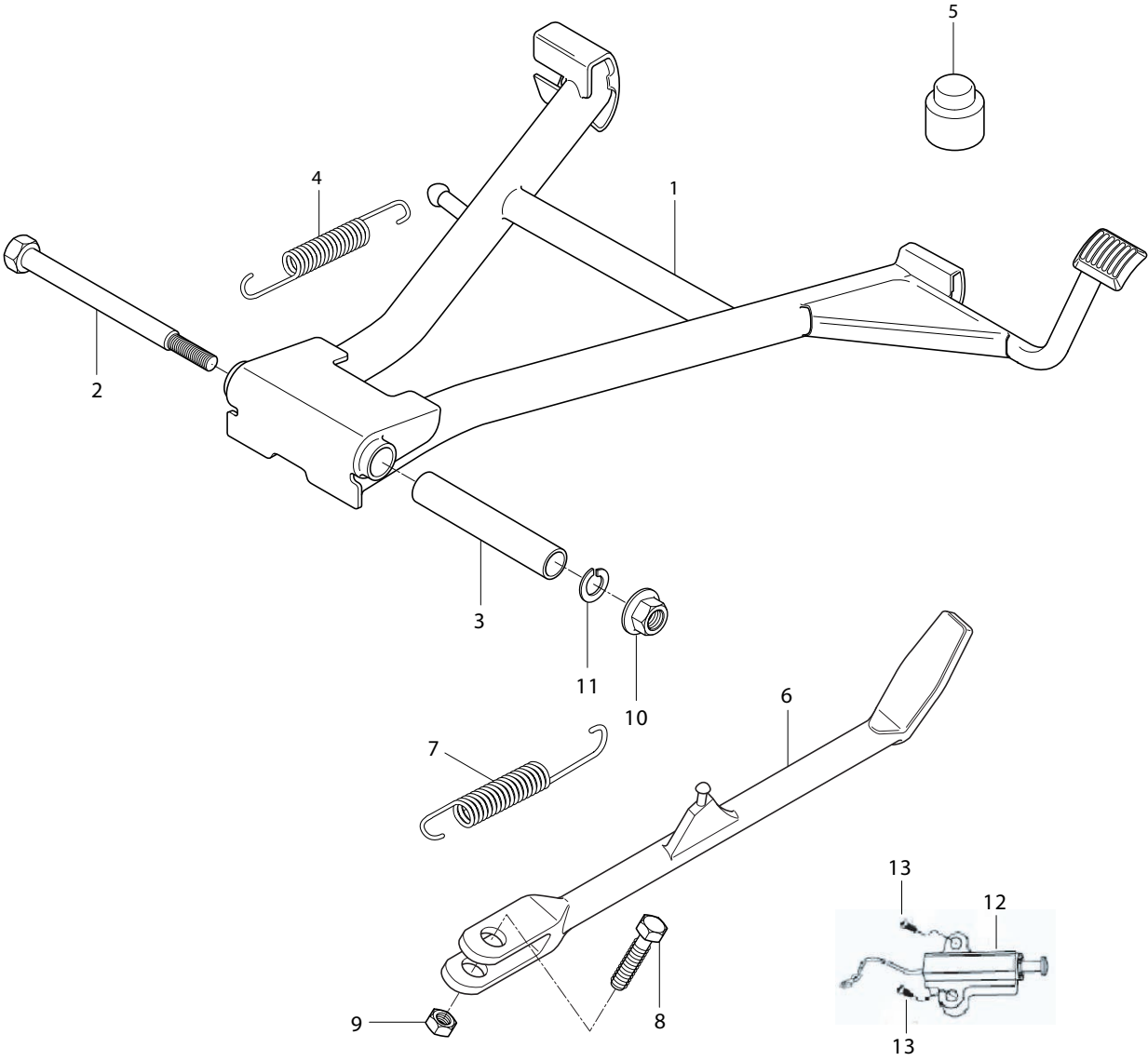


FIG 27. FRAME

REF. NO.	GV250 - FI (2008)		GV250N - EI (2009)			PARTS NAME	QTY (PCS)	REMARKS
	7EU01/7G01/7S01	8EN01	9EU01/9F01/9G01	8EN01	9EG02			
1	41100HR8400PAM	41100HR8400PAM	41100H88400PAM	41100H88400PAM	41100H88400PAM	FRAME COMP	1	
2	09320-08018	09320-08018	09320-08018	09320-08018	09320-08018	CUSHION, frame & side cover r/l	2	
3	09320H06002	09320H06002	09320H06002	09320H06002	09320H06002	CUSHION, frame & side cover r/l	2	
4	08319-31106	08319-31106	08319-31106	08319-31106	08319-31106	NUT, frame & engine	3	
5	09103H10022	09103H10022	09103H10022	09103H10022	09103H10022	BOLT, frame & engine L=110	3	

FIG.28



FWD

FIG 28. CENTER STAND

REF. NO.	GV250 - FI (2008)		GV250N - EI (2009)			PARTS NAME	Q'TY (PCS)	REMARKS
	7EU01/7G01/7S01	8EN01	9EU01/9F01/9G01	8EN01	9EG02			
1	42100HG5103	42100HG5103	42100HG5103	42100HG5103	42100HG5103	STAND COMP, center	1	
2	09103H10022	09103H10022	09103H10022	09103H10022	09103H10022	BOLT, center stand	1	
3	42191-35C00	42191-35C00	42191-35C00	42191-35C00	42191-35C00	SPACER, center stand	1	
4	09443-17015	09443-17015	09443-17015	09443-17015	09443-17015	SPRING, center stand	1	
5	09321-10001	09321-10001	09321-10001	09321-10001	09321-10001	CUSHION, muffler & center stand	1	
6	42310HJ8250PLA	42310HJ8250PLA	42310HJ8250PLA	42310HJ8250PLA	42310HJ8250PLA	STAND, prop	1	
7	09443-15047	09443-15047	09443-15047	09443-15047	09443-15047	SPRING, prop stand outer	1	
8	09100-10031	09100-10031	09100-10031	09100-10031	09100-10031	BOLT, prop stand	1	
9	08310-22106	08310-22106	08310-22106	08310-22106	08310-22106	NUT, prop stand	1	
10	08316-26106	08316-26106	08316-26106	08316-26106	08316-26106	NUT, center stand	1	
11	08321-31106	08321-31106	08321-31106	08321-31106	08321-31106	LOCK WASHER, center stand	1	
12	37840HJ8250	37840HJ8250	37840HJ8250	37840HJ8250	37840HJ8250	SWITCH, side stand	1	
13	01517-06205	01517-06205	01517-06205	01517-06205	01517-06205	BOLT, Side Stand Switch	2	

FIG.29

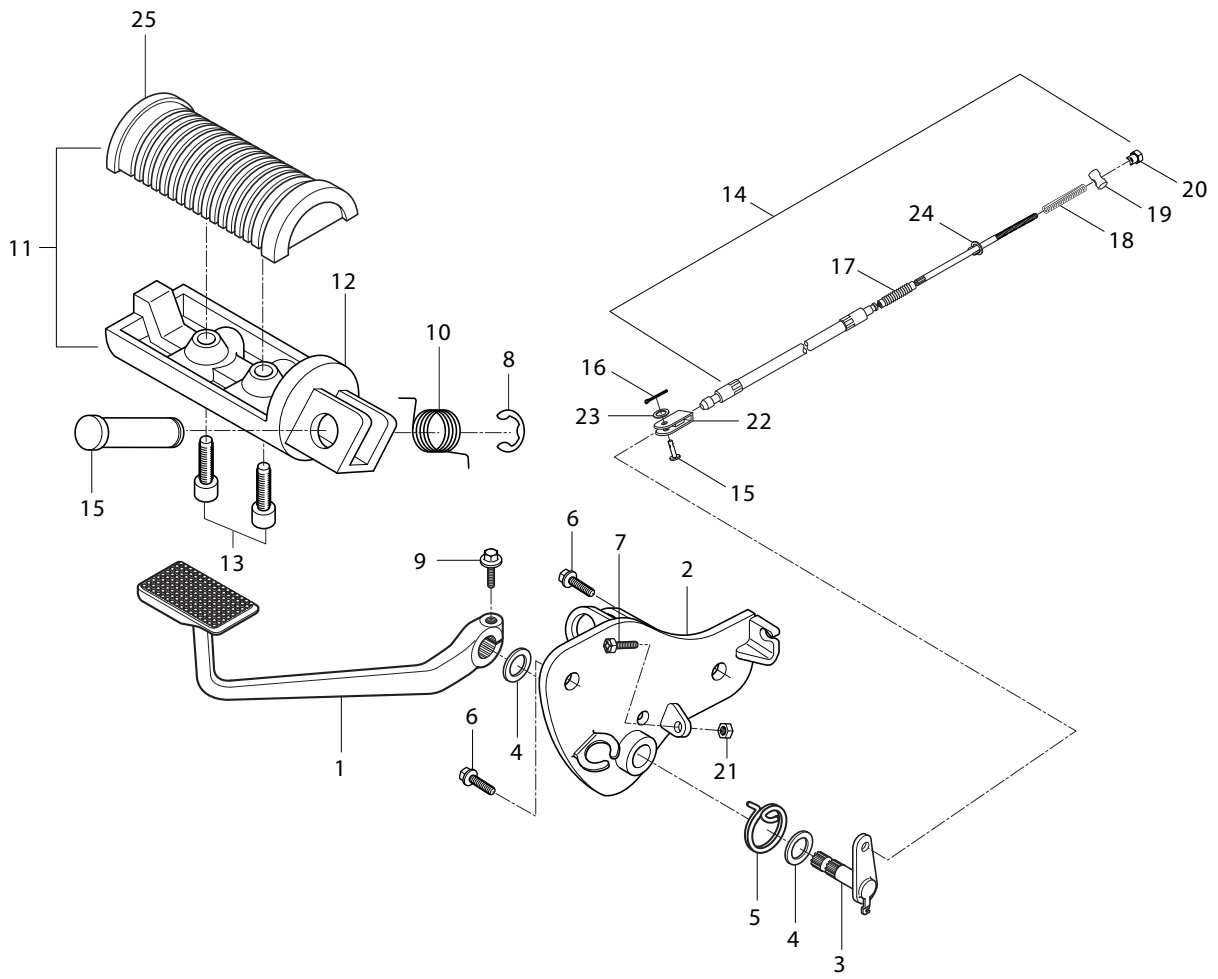


FIG 29. REAR BRAKE

REF. NO.	GV250 - FI (2008)		GV250N - EI (2009)			PARTS NAME	Q'TY (PCS)	REMARKS
	7EU01/7G01/7S01	8EN01	9EU01/9F01/9G01	8EN01	9EG02			
1	43110HD6301PLA	43110HD6301PLA	43110HD6301PLA	43110HD6301PLA	43110HD6301PLA	PEDAL COMP, brake	1	
2	43510HG5102PLA	43510HG5102PLA	43510HG5102PLA	43510HG5102PLA	43510HG5102PLA	BRACKET COMP, front footrest R	1	
3	43120H93B00	43120H93B00	43120H93B00	43120H93B00	43120H93B00	ARM COMP, brake rod	1	
4	43212-04A00	43212-04A00	43212-04A00	43212-04A00	43212-04A00	WASHER, brake pedal	1	
5	43213-29B00	43213-29B00	43213-29B00	43213-29B00	43213-29B00	SPRING, brake pedal	1	
6	01527-10258	01527-10258	01527-10258	01527-10258	01527-10258	BOLT, front footrest bracket	2	
7	09128-06005	09128-06005	09128-06005	09128-06005	09128-06005	BOLT, brake adjuster	1	
8	08332-11106	08332-11106	08332-11106	08332-11106	08332-11106	E-RING, front footrest	1	
9	01517-06206	01517-06206	01517-06206	01517-06206	01517-06206	BOLT, brake pedal	1	
10	09448H16001	09448H16001	09448H16001	09448H16001	09448H16001	SPRING, front footrest bar	1	
11	43501H93B11	43501H93B11	43501H93B11	43501H93B11	43501H93B11	FOOTREST ASS'Y, front R	1	
12	43571H93B02	43571H93B02	43571H93B02	43571H93B02	43571H93B02	BAR, front footrest R	1	
13	07110-06128	07110-06128	07110-06128	07110-06128	07110-06128	BOLT, front footrest bar	2	
14	58500HG5102	58500HG5102	58500HG5102	58500HG5102	58500HG5102	CABLE ASS'Y, rear brake	1	
15	09200-06010	09200-06010	09200-06010	09200-06010	09200-06010	PIN, rear brake cable	1	
16	04111-20206	04111-20206	04111-20206	04111-20206	04111-20206	COTTER PIN, rear brake cable	1	
17	58515H93B00	58515H93B00	58515H93B00	58515H93B00	58515H93B00	DUST SEAL-2, rear brake cable	1	
18	09440-09004	09440-09004	09440-09004	09440-09004	09440-09004	SPRING, rear brake adjuster	1	
19	09209H11006	09209H11006	09209H11006	09209H11006	09209H11006	PIN, rear brake cable rod lever	1	
20	09150-06001	09150-06001	09150-06001	09150-06001	09150-06001	NUT, rear brake cable adjuster	1	
21	08310-11066	08310-11066	08310-11066	08310-11066	08310-11066	NUT, brake pedal adjuster	1	
22	43533-35C00	43533-35C00	43533-35C00	43533-35C00	43533-35C00	HOLDER, rear brake cable	1	NOT SALE
23	08322-21068	08322-21068	08322-21068	08322-21068	08322-21068	WASHER	1	
24	08332-21068	08332-21068	08332-21068	08332-21068	08332-21068	WASHER	1	
25	43550H93B00	43550H93B00	43550H93B00	43550H93B00	43550H93B00	RUBBER COMP, front footrest	1	

FIG.30

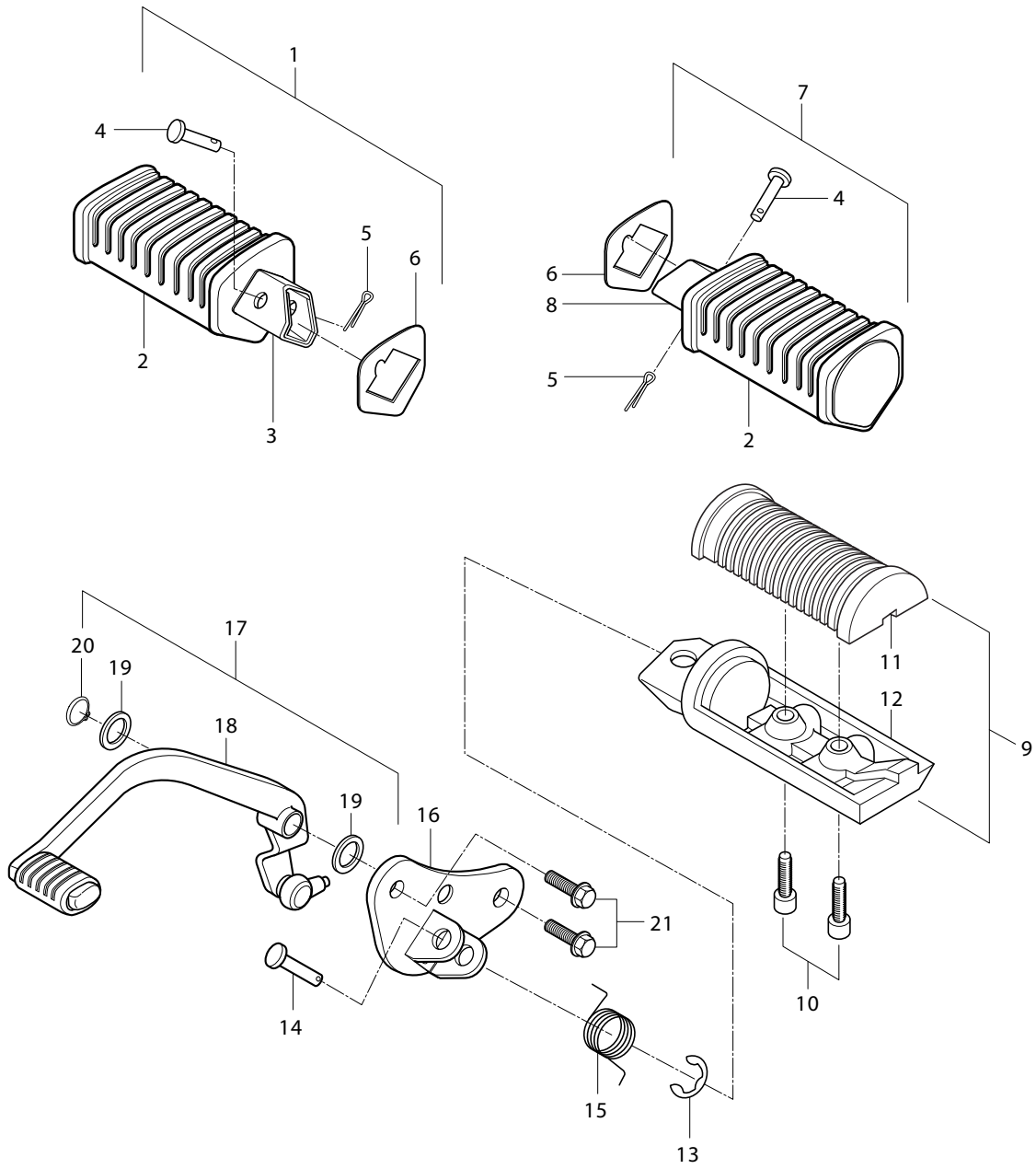


FIG 30. FOOTREST

REF. NO.	GV250 - FI (2008)		GV250N - EI (2009)			PARTS NAME	Q'TY (PCS)	REMARKS
	7EU01/7G01/7S01	8EN01	9EU01/9F01/9G01	8EN01	9EG02			
1	43600H93B00	43600H93B00	43600H93B00	43600H93B00	43600H93B00	FOOTREST ASSY, pillion R	1	
2	43612-05351	43612-05351	43612-05351	43612-05351	43612-05351	RUBBER, pillion footrest	2	
3	43610-05350	43610-05350	43610-05350	43610-05350	43610-05350	BAR COMP, pillion footrest R	1	
4	09200-06010	09200-06010	09200-06010	09200-06010	09200-06010	PIN, pillion footrest	2	
5	04111-20206	04111-20206	04111-20206	04111-20206	04111-20206	COTTER PIN, pillion footrest	2	
6	43631-05350	43631-05350	43631-05350	43631-05350	43631-05350	WASHER, pillion footrest rubber	2	
7	43700H93B00	43700H93B00	43700H93B00	43700H93B00	43700H93B00	FOOTREST ASSY, pillion L	1	
8	43620-05350	43620-05350	43620-05350	43620-05350	43620-05350	BAR COMP, pillion footrest L	1	
9	43502H93B11	43502H93B11	43502H93B11	43502H93B11	43502H93B11	FOOTREST ASSY, front L	1	
10	07110-06128	07110-06128	07110-06128	07110-06128	07110-06128	.BOLT, front footrest bar(M6x12)	2	
11	43550H93B00	43550H93B00	43550H93B00	43550H93B00	43550H93B00	.RUBBER COMP, front footrest	1	
12	43581H93B02	43581H93B02	43581H93B02	43581H93B02	43581H93B02	.BAR, front footrest L	1	
13	08332-11106	08332-11106	08332-11106	08332-11106	08332-11106	E-RING, front footrest	1	
14	09200H12001	09200H12001	09200H12001	09200H12001	09200H12001	PIN, front footrest bar	2	
15	09448H16001	09448H16001	09448H16001	09448H16001	09448H16001	SPRING, front footrest bar	1	
16	43560HG5101PLA	43560HG5101PLA	43560HG5101PLA	43560HG5101PLA	43560HG5101PLA	BRACKET, front footrest L	1	
17	25609HG5101	25609HG5101	25609HG5101	25609HG5101	25609HG5101	LEVER ASSY, gear shift cam	1	
18	25610HG5101	25610HG5101	25610HG5101	25610HG5101	25610HG5101	LEVER COMP, gear shift cam	1	
19	09160-12011	09160-12011	09160-12011	09160-12011	09160-12011	WASHER, gear shift lever	2	
20	08331-31128	08331-31128	08331-31128	08331-31128	08331-31128	CIRCLIP, gear shift lever	1	
21	01527-10258	01527-10258	01527-10258	01527-10258	01527-10258	BOLT,front footrest bracket	2	

FIG.31

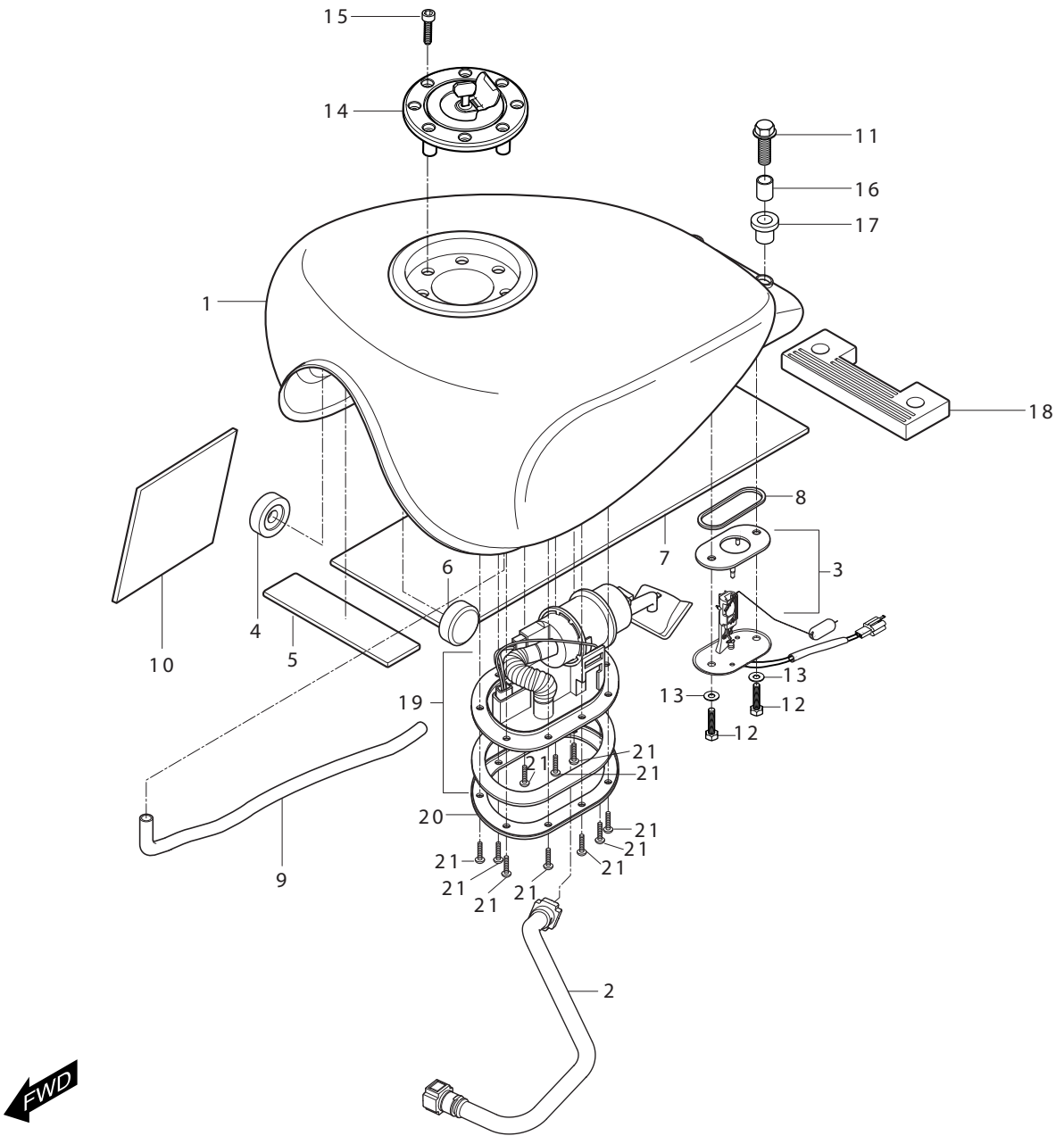


FIG 31. FUEL TANK

REF. NO.	GV250 - FI (2008)		GV250N - EI (2009)			PARTS NAME	Q'TY (PCS)	REMARKS
	7EU01/7G01/7S01	8EN01	9EU01/9F01/9G01	8EN01	9EG02			
1	44110HR8400CBK	44110HR8400CBK				TANK COMP, fuel (BLACK)	1	MODEL 2008
1	44110HR8400CON	44110HR8400CON				TANK COMP, fuel (BLACK+ORANGE)	1	MODEL 2008
1	44110HR8400CMS	44110HR8400CMS				TANK COMP, fuel (BLUE+SILVER)	1	MODEL 2008
1	44110HR8400CPM	44110HR8400CPM				TANK COMP, fuel (BLACK+RED)	1	MODEL 2008
1			44110H88400CBK	44110H88400CBK	44110H88400CBK	TANK COMP, fuel (BLACK)	1	MODEL 2009
1			44110HRW1000RN	44110HRW1000RN	44110HRW1000RN	TANK COMP, fuel (BLACK+RED)	1	MODEL 2009 (WATER DECAL)
1			44110HRW1000SN	44110HRW1000SN	44110HRW1000SN	TANK COMP, fuel (BLACK+SILVER)	1	MODEL 2009 (WATER DECAL)
2			15810H88400	15810H88400	15810H88400	HOSE COMP , fuel comp	1	
3	34810H88400	34810H88400	34810H88400	34810H88400	34810H88400	GAUGE ASS'Y, fuel sender	1	
4	09329-10007	09329-10007	09329-10007	09329-10007	09329-10007	CUSHION, fuel tank inner front	1	
5	44213HG5100	44213HG5100	44213HG5100	44213HG5100	44213HG5100	CUSHION, fuel tank inner body	1	
6	09329-10007	09329-10007	09329-10007	09329-10007	09329-10007	CUSHION, fuel tank inner front	1	
7	44214HR8400	44214HR8400	44214HR8400	44214HR8400	44214HR8400	CUSHION, fuel tank inner body NO.1	1	
8	44348-28070	44348-28070	44348-28070	44348-28070	44348-28070	O-RING	1	
9	09352H70103650	09352H70103650	09352H70103650	09352H70103650	09352H70103650	HOSE , fuel tank drain l=650	1	
10	44215HG5100	44215HG5100	44215HG5100	44215HG5100	44215HG5100	CUSHION, fuel tank inner body NO.2	2	
11	09116H06084	09116H06084	09116H06084	09116H06084	09116H06084	BOLT, fuel tank R R cushion	2	
12	09128-06035	09128-06035	09128-06035	09128-06035	09128-06035	BOLT, fuel sender	2	
13	09168-06010	09168-06010	09168-06010	09168-06010	09168-06010	GASKET, fuel sender	2	
14	44200H35C30	44200H35C30	44200H35C30	44200H35C30	44200H35C30	CAP ASS'Y, fuel tank filler	1	
15	09106-05017	09106-05017	09106-05017	09106-05017	09106-05017	BOLT, fuel tank filler	4	
16	09180H06003	09180H06003	09180H06003	09180H06003	09180H06003	SPACER , fuel tank R R cushion	2	
17	09320-10022	09320-10022	09320-10022	09320-10022	09320-10022	CUSHION, fuel tank R R NO.2	2	
18	44542-38300	44542-38300	44542-38300	44542-38300	44542-38300	CUSHION, fuel tank R R NO.1	1	
19	15100HR8400	15100HR8400	15100H88400	15100H88400	15100H88400	PUMP AS S'Y, fuel pump module	1	
20	68100HG5100	68100HG5100	68100HG5100	68100HG5100	68100HG5100	PLATE , fuel pump module	1	NOT SALE
21	09125H06016	09125H06016	09125H06016	09125H06016	09125H06016	SCREW, fuel pump module	10	
22	68319H05350PL	68319H05350PL	68319H05350PL	68319H05350PL	68319H05350PL	LABEL,CAUTION (ENGLISH)	1	
22	68319H05370PL		68319H05370PL			LABEL,CAUTION (GERMANY)	1	
22	68319H05380PL		68319H05380PL			LABEL,CAUTION (SPAIN)	1	
22	68319H05380PL		68319H05380PL			LABEL,CAUTION (FRENCH)	1	

FIG.32

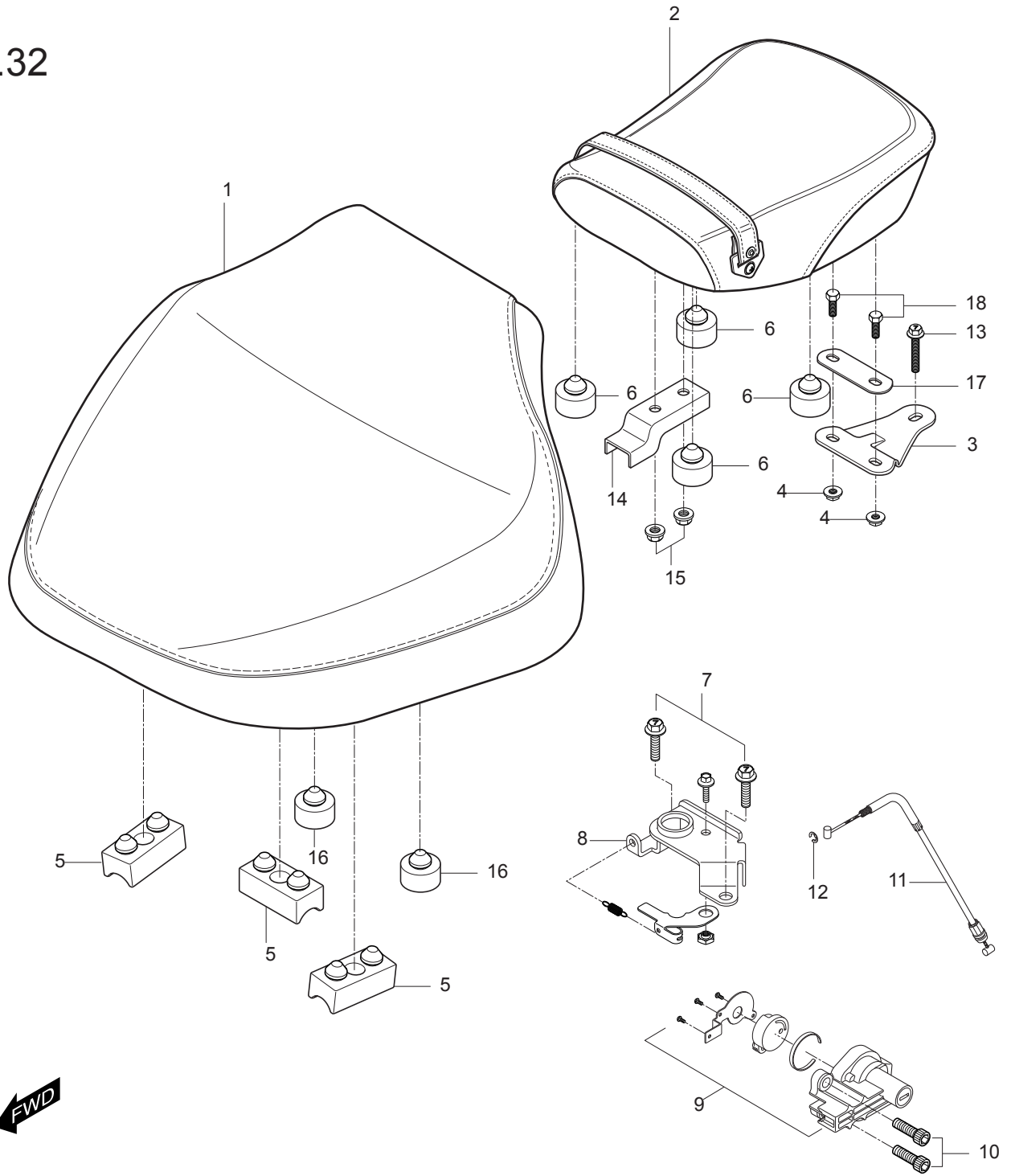


FIG 32. SEAT

REF. NO.	GV250 - FI (2008)		GV250N - EI (2009)			PARTS NAME	Q'TY (PCS)	REMARKS
	7EU01/7G01/7S01	8EN01	9EU01/9F01/9G01	8EN01	9EG02			
1	45110HG5102	45110HG5102				SEAT SET, front	1	MODEL 2008
1			45110HG5102L08	45110HG5102L08	45110HG5102L08	SEAT SET, front- BLACK+RED	1	MODEL 2009 (BLACK+RED)
1			45110HG5102L09	45110HG5102L09	45110HG5102L09	SEAT SET, front -BLACK, BLACK+SILVER	1	MODEL 2009 (BLACK, BLACK+SILVER)
2	45200HJ8202	45200HJ8202				SEAT SET, rear	1	MODEL 2008
2			45200HJ8202L08	45200HJ8202L08	45200HJ8202L08	SEAT SET, rear- BLACK+RED	1	MODEL 2009 (BLACK+RED)
2			45200HJ8202L09	45200HJ8202L09	45200HJ8202L09	SEAT SET, rear -BLACK, BLACK+SILVER	1	MODEL 2009 (BLACK, BLACK+SILVER)
3	45291HJ8201	45291HJ8201	45291HJ8201	45291HJ8201	45291HJ8201	BRACKET, seat rear	1	
4	08316-26068	08316-26068	08316-26068	08316-26068	08316-26068	NUT, seat rear bracket	2	
5	09321H08007	09321H08007	09321H08007	09321H08007	09321H08007	CUSHION	3	
6	45192HG5100	45192HG5100	45192HG5100	45192HG5100	45192HG5100	CUSHION	4	
7	01517-06166	01517-06166	01517-06166	01517-06166	01517-06166	BOLT, seat striker	2	
8	45220H93B00	45220H93B00	45220H93B00	45220H93B00	45220H93B00	LOCK ASS'Y, seat striker	1	
9	95700-93B30	95700-93B30	95700-93B30	95700-93B30	95700-93B30	LOCK ASS'Y, seat	1	
10	09106-06030	09106-06030	09106-06030	09106-06030	09106-06030	BOLT, seat lock	2	
11	45280HG5101	45280HG5101	45280HG5101	45280HG5101	45280HG5101	CABLE COMP, seat lock	1	
12	08332-11056	08332-11056	08332-11056	08332-11056	08332-11056	E-RING, seat lock cable	1	
13	01517-06256	01517-06256	01517-06256	01517-06256	01517-06256	BOLT, rear seat brkt & tail cover	1	
14	45233HG5100	45233HG5100	45233HG5100	45233HG5100	45233HG5100	BRKT, seat rear hook	1	
15	08316-26066	08316-26066	08316-26066	08316-26066	08316-26066	NUT, seat rear hook	2	
16	09321-100B2	09321-100B2	09321-100B2	09321-100B2	09321-100B2	CUSHION	2	
17	45231HG5100	45231HG5100	45231HG5100	45231HG5100	45231HG5100	REINF, rr seat support	1	
18	09119-06065	09119-06065	09119-06065	09119-06065	09119-06065	BOLT, rear seat brkt	2	

FIG.33

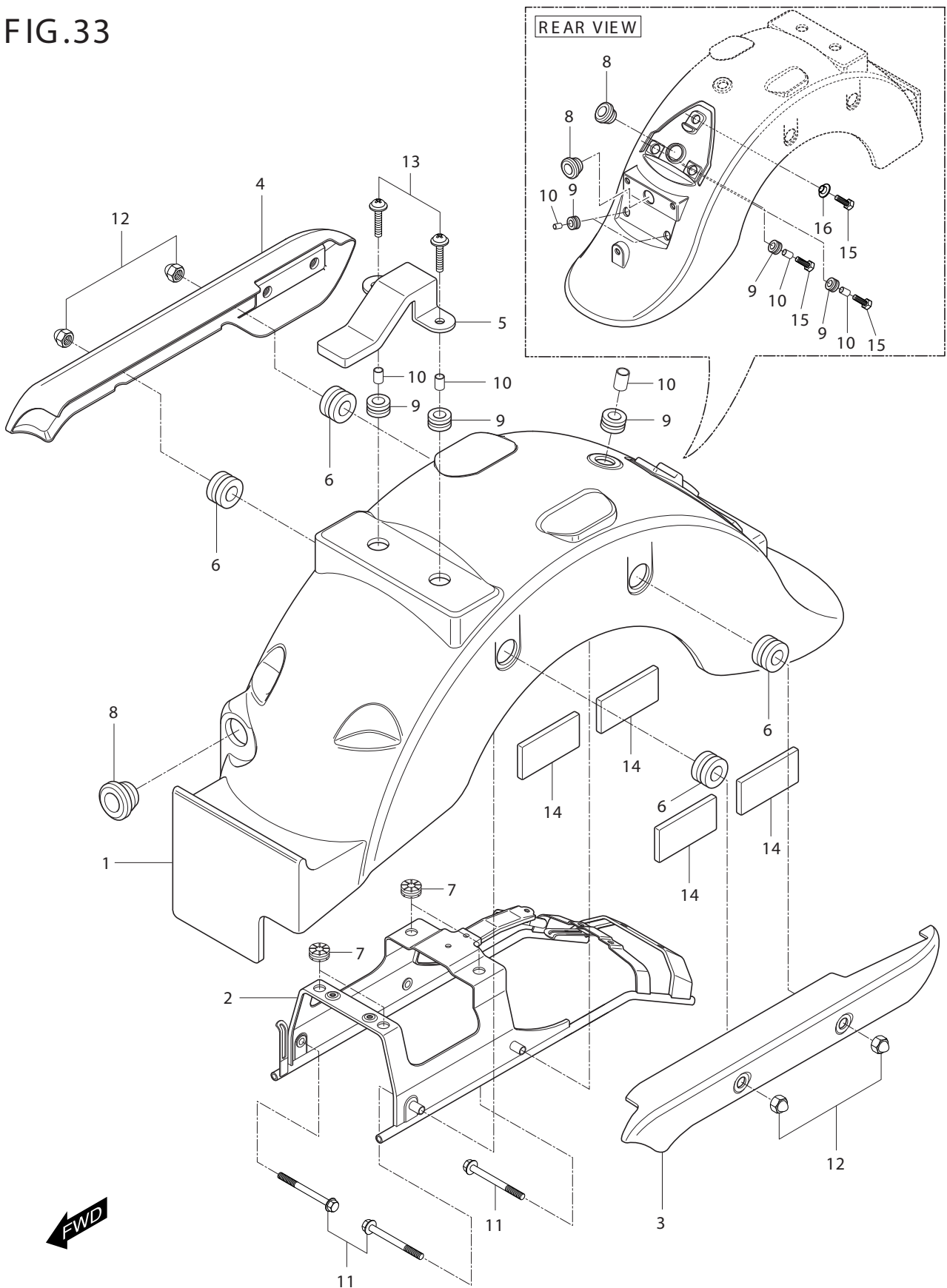


FIG 33. TAIL COVER

REF. NO.	GV250 - FI (2008)		GV250N - EI (2009)			PARTS NAME	Q'TY (PCS)	REMARKS
	7EU01/7G01/7S01	8EN01	9EU01/9F01/9G01	8EN01	9EG02			
1	45511HJ8201CMS	45511HJ8201CMS				COVER,seat tail (BLACK+SILVER)	1	MODEL 2008
1	45511HJ8201CON	45511HJ8201CON				COVER,seat tail (BLACK+ORANGE)	1	MODEL 2008
1	45511HJ8201CSD	45511HJ8201CSD				COVER,seat tail (BLUE+SILVER)	1	MODEL 2008
1	45511HJ8201CPM	45511HJ8201CPM				COVER,seat tail (BLACK+RED)	1	MODEL 2008
1			45511HJ8210CBK	45511HJ8210CBK	45511HJ8210CBK	COVER,seat tail (BLACK)	1	MODEL 2009
1			45511HJW100CRN	45511HJW100CRN	45511HJW100CRN	COVER,seat tail (BLACK+RED)	1	MODEL 2009 (WATER DECAL)
1			45511HJW100CSN	45511HJW100CSN	45511HJW100CSN	COVER, seat tail	1	MODEL 2009 (WATER DECAL)
2	45520HJ8201	45520HJ8201	45520HJ8201	45520HJ8201	45520HJ8201	BRACE COMP, seat tail cover	1	
3	46230HG5100PLA	46230HG5100PLA	46230HG5100PLA	46230HG5100PLA	46230HG5100PLA	PLATE COMP, pillion rider L	1	
4	46220HG5100PLA	46220HG5100PLA	46220HG5100PLA	46220HG5100PLA	46220HG5100PLA	PLATE COMP, pillion rider R	1	
5	45232HG5100	45232HG5100	45232HG5100	45232HG5100	45232HG5100	BRACKET, seat tail & seat	1	
6	09320-11008	09320-11008	09320-11008	09320-11008	09320-11008	CUSHION, seat tail cover side	4	
7	94434H29E00	94434H29E00	94434H29E00	94434H29E00	94434H29E00	CUSHION, seat tail cover brace	4	
8	09320H12060	09320H12060	09320H12060	09320H12060	09320H12060	GROMMET, seat tail cover	3	
9	09320-09016	09320-09016	09320-09016	09320-09016	09320-09016	CUSHION, seat tail cover upper	7	
10	09180-06114	09180-06114	09180-06114	09180-06114	09180-06114	SPACER, seat tail cover upper	7	
11	01517-08606	01517-08606	01517-08606	01517-08606	01517-08606	BOLT, pillion rider plate	4	
12	08313-11087	08313-11087	08313-11087	08313-11087	08313-11087	NUT, pillion rider plate	4	
13	09136H06114	09136H06114	09136H06114	09136H06114	09136H06114	SCREW, seat tail cover upper	4	
14	33652-38A10	33652-38A10	33652-38A10	33652-38A10	33652-38A10	CUSHION, tail cover	4	
15	01517-06256	01517-06256	01517-06256	01517-06256	01517-06256	BOLT, seat tail rear cover	3	
16	09169-06032	09169-06032	09169-06032	09169-06032	09169-06032	WASHER, tail rear cover upper	1	

FIG.34 (2008)

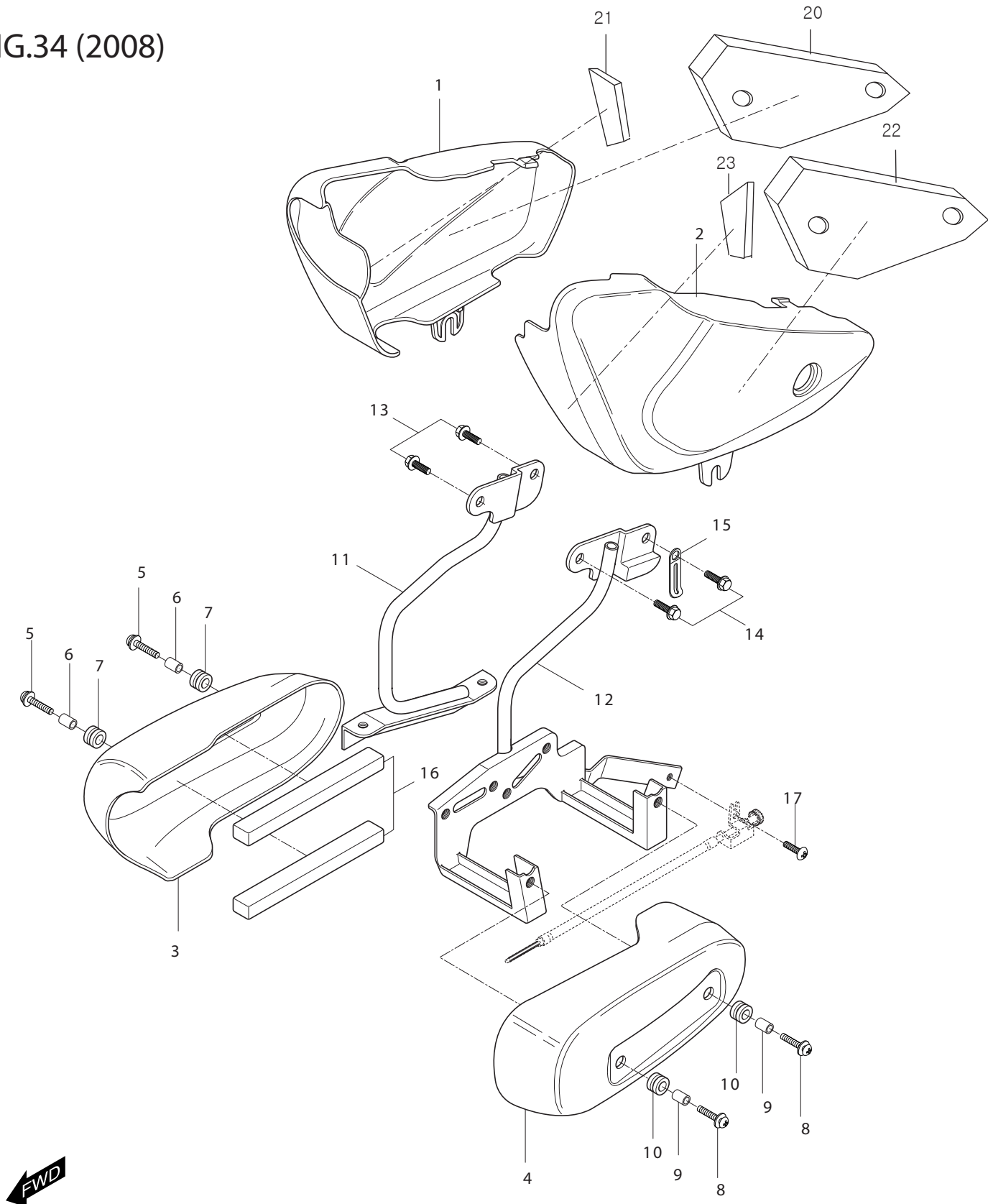


FIG 34. SIDE COVER(2008)

REF. NO.	GV250 - FI (2008)		GV250N - EI (2009)			PARTS NAME	Q'TY (PCS)	REMARKS
	7EU01/7G01/7S01	8EN01	9EU01/9F01/9G01	8EN01	9EG02			
1	47111HG51500PR	47111HG51500PR				COVER, side R (BLACK+RED)	1	
1	47111HG51500BS	47111HG51500BS				COVER, side R (BLACK+SILVER & BLUE+SILVER)	1	With Emblem + Cushion
1	47111HG51510LO	47111HG51510LO				COVER, side R (BLACK+ORANGE)	1	With Emblem + Cushion
2	47211HG51500PR	47211HG51500PR				COVER, side R (BLACK+RED)	1	
2	47211HG51500BS	47211HG51500BS				COVER, side R (BLACK+SILVER & BLUE+SILVER)	1	
2	47211HG51510LO	47211HG51510LO				COVER, side R (BLACK+ORANGE)	1	
3	47411HJ8271	47411HJ8271				COVER, air clnr element RH	1	
4	47421HJ8270	47421HJ8270				DECO, fuel tank lower & bracket LH	1	
5	09136-06022	09136-06022				SCREW, air cleaner element cover RH(M6*20)	2	
6	09180-06084	09180-06084				SPACER, air cleaner element cover RH	2	
7	09320-09016	09320-09016				CUSHION, air cleaner element cover RH	2	
8	09136-06022	09136-06022				SCREW, tank low deco LH & bracket(M6*20)	2	
9	09180-06084	09180-06084				SPACER, fuel tank low deco LH	2	
10	09320-09016	09320-09016				CUSHION, fuel tank low deco LH	2	
11	47450HR840003P	47450HR840003P				BRACKET COMP, air clnr elem cover RH	1	
12	47460HG510803P	47460HG510803P				BRACKET COMP, air lower deco LH & fra	1	
13	01517-08166	01517-08166				BOLT, air cleaner element cover bracket(M8*16)	2	
14	01517-08166	01517-08166				BOLT, tank lower deco bracket(M8*16)	2	
15	09404-08403	09404-08403				CLAMP, deco brkt & igtiton coil	1	
16	47412HG5100	47412HG5100				CUSHION, A/C element cover	2	
17	02142-05125	02142-05125				SCREW, adj cable brkt(M5*12)	1	
18	68170HG5150	68170HG5150				TAPE, air cleaner cover	2	
19	68130HG51000CR	68130HG51000CR				EMBLEM,side cover	2	
20	47161HG5150	47161HG5150				CUSH,S/COV R NO1	1	
21	47162HG5150	47162HG5150				CUSH,S/COV R N2	1	
22	47261HG5150	47261HG5150				CUSH,S/COV L NO1	1	
23	47262HG5150	47262HG5150				CUSH,S/COV L NO2	1	

FIG.34 (2009)

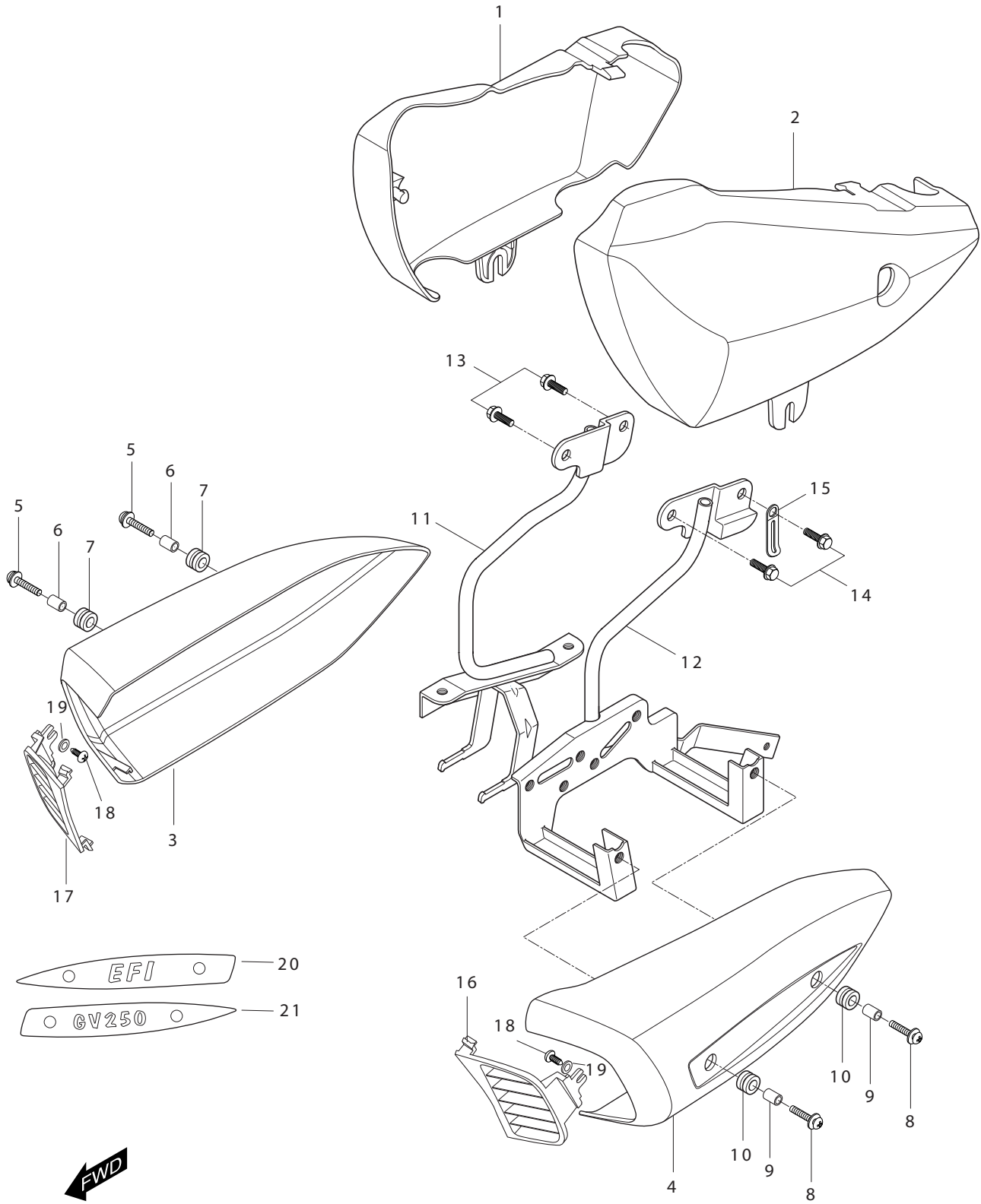


FIG 34. SIDE COVER(2009)

REF. NO.	GV250 - FI (2008)		GV250N - EI (2009)			PARTS NAME	QTY (PCS)	REMARKS
	7EU01/7G01/7S01	8EN01	9EU01/9F01/9G01	8EN01	9EG02			
1			47111H88400CBK	47111H88400CBK	47111H88400CBK	COVER, side R (COMMON)	1	MODEL 2009
2			47211H88400CBK	47211H88400CBK	47211H88400CBK	COVER, side L (COMMON)	1	MODEL 2009
3			47411H88400	47411H88400	47411H88400	COVER, air clnr element RH	2	MODEL 2009
4			47421H88400	47421H88400	47421H88400	DECO, fuel tank lower & bracket LH	2	MODEL 2009
5			09136-06022	09136-06022	09136-06022	SCREW, air cleaner element cover RH(M6*20)	2	MODEL 2009
6			09180-06084	09180-06084	09180-06084	SPACER, air cleaner element cover RH	2	MODEL 2009
7			09320-09016	09320-09016	09320-09016	CUSHION, air cleaner element cover RH	2	MODEL 2009
8			09136-06022	09136-06022	09136-06022	SCREW, tank low deco LH & bracket(M6*20)	2	MODEL 2009
9			09180-06084	09180-06084	09180-06084	SPACER, fuel tank low deco LH	1	MODEL 2009
10			09320-09016	09320-09016	09320-09016	CUSHION, fuel tank low deco LH	1	MODEL 2009
11			47450H8840003P	47450H8840003P	47450H8840003P	BRACKET COMP, air clnr elem cover RH	1	MODEL 2009
12			47460HG510903P	47460HG510903P	47460HG510903P	BRACKET COMP, air lower deco LH & fra	1	MODEL 2009
13			01517-08166	01517-08166	01517-08166	BOLT, air cleaner element cover bracket(M8*16)	2	MODEL 2009
14			01517-08166	01517-08166	01517-08166	BOLT, tank lower deco bracket(M8*16)	2	MODEL 2009
15			09404-08403	09404-08403	09404-08403	CLAMP, deco brkt & igtiton coil	1	MODEL 2009
16			47426H88400	47426H88400	47426H88400	GRILL,DECO COVER L	1	MODEL 2009
17			47427H88400	47427H88400	47427H88400	GRILL,DECO COVER R	1	MODEL 2009
18			03241-05105	03241-05105	03241-05105	Screw, adj cable brkt	2	MODEL 2009
19			09160-05016	09160-05016	09160-05016	CUSHION.	2	MODEL 2009
20			68174H88400	68174H88400	68174H88400	STICKER AIR CLEANER R	2	MODEL 2009
21			68176H88400	68176H88400	68176H88400	STICKER AIR CLEANER -L	2	MODEL 2009

FIG.35

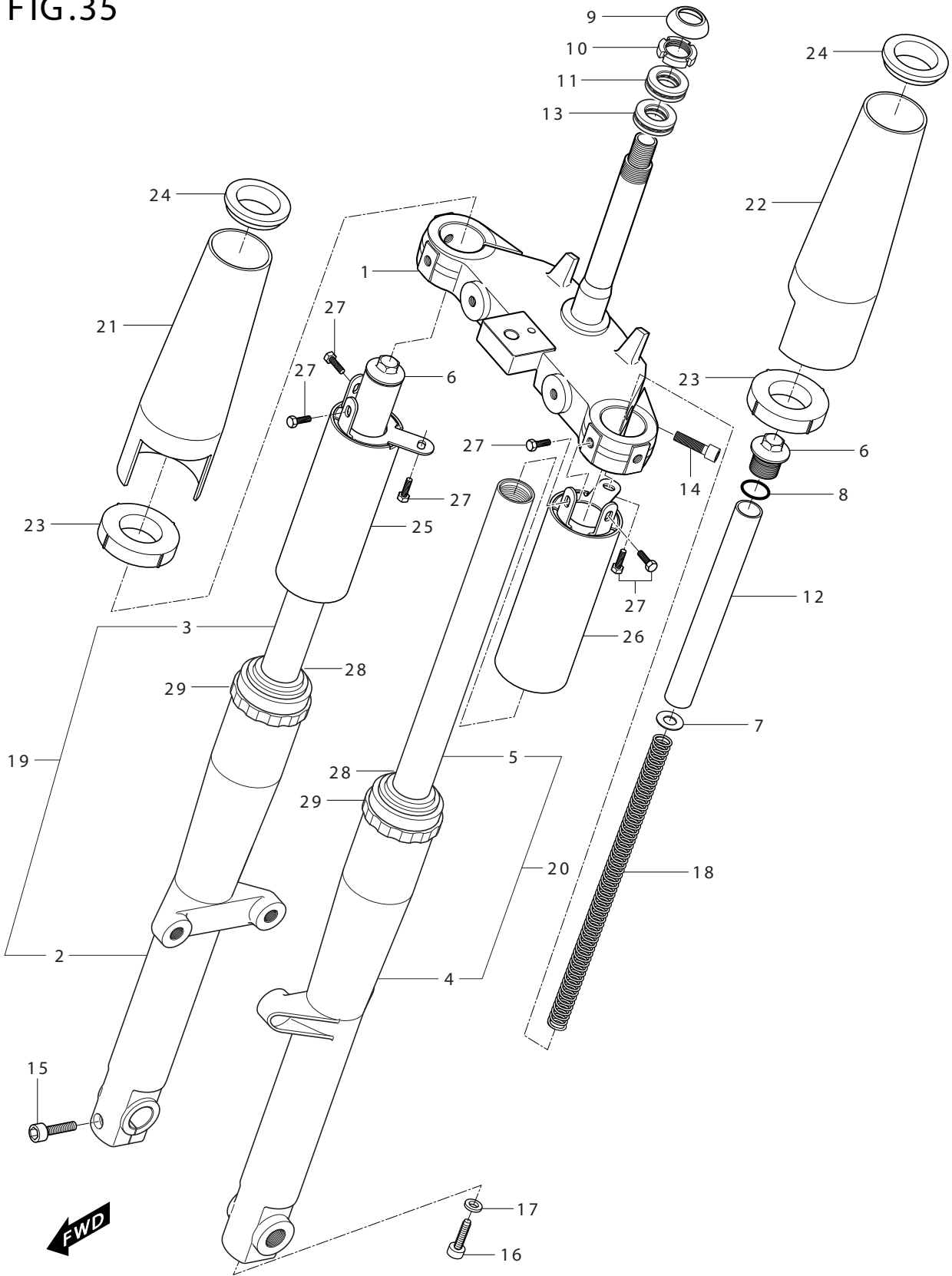


FIG 35. FRONT FORK

REF. NO.	GV250 - FI (2008)		GV250N - EI (2009)			PARTS NAME	Q'TY (PCS)	REMARKS
	7EU01/7G01/7S01	8EN01	9EU01/9F01/9G01	8EN01	9EG02			
0						FORK ASS'Y,front	1	NOT SALES
1	51410HJ8203	51410HJ8203	51410HJ8203	51410HJ8203	51410HJ8203	BRACKET COMP, under	1	
2	51420HJ8200	51420HJ8200	51420HJ8200	51420HJ8200	51420HJ8200	.CASE, bottom R	1	NOT SALES
3	51415HG5100	51415HG5100	51415HG5100	51415HG5100	51415HG5100	PIPE, FORK R	1	NOT SALES
4	51520HJ8200	51520HJ8200	51520HJ8200	51520HJ8200	51520HJ8200	.CASE, bottom L	1	NOT SALES
5	51415HG5100	51415HG5100	51415HG5100	51415HG5100	51415HG5100	PIPE, FORK L	1	NOT SALES
6	51351HG5100	51351HG5100	51351HG5100	51351HG5100	51351HG5100	BOLT, front fork upper	2	NOT SALES
7	51402HG5100	51402HG5100	51402HG5100	51402HG5100	51402HG5100	.GUIDE,spring	2	NOT SALES
8	91356HG5100	91356HG5100	91356HG5100	91356HG5100	91356HG5100	.O-RING	2	NOT SALES
9	51643HG5801	51643HG5801	51643HG5801	51643HG5801	51643HG5801	DUST SEAL, steering upper	1	
10	51631-28001	51631-28001	51631-28001	51631-28001	51631-28001	NUT, steering stem	1	
11	09265H28001	09265H28001	09265H28001	09265H28001	09265H28001	BEARING, steering upper(28*52*16)	1	
12	51610HG5100	51610HG5100	51610HG5100	51610HG5100	51610HG5100	.SPACER, front fork inner	2	NOT SALE
13	09265H28001	09265H28001	09265H28001	09265H28001	09265H28001	BEARING, steering lower(28*52*16)	1	
14	07110-08258	07110-08258	07110-08258	07110-08258	07110-08258	BOLT, bracket comp(M8*25)	2	NOT SALES
15	07110-08358	07110-08358	07110-08358	07110-08358	07110-08358	BOLT, front fork clamp R (M8*25)	1	NOT SALES
16	07110-08256	07110-08256	07110-08256	07110-08256	07110-08256	BOLT, fork clip (M8*25)	1	NOT SALES
17	90544H93B00	90544H93B00	90544H93B00	90544H93B00	90544H93B00	.WASHER,spacer	2	NOT SALES
18	51410HG5100	51410HG5100	51410HG5100	51410HG5100	51410HG5100	.SPRING, cushion	2	NOT SALE
19	51210HJ8200	51210HJ8200	51210H88400	51210H88400	51210H88400	DAMPER ASS'Y, R	1	
20	51220HJ8200	51220HJ8200	51220H88400	51220H88400	51220H88400	DAMPER ASS'Y, L	1	
21	51881HJ8200	51881HJ8200	51881HJ8200	51881HJ8200	51881HJ8200	COVER,front fork upper,R	1	NOT SALES
22	51881HJ8200	51881HJ8200	51881HJ8200	51881HJ8200	51881HJ8200	COVER,front fork upper,L	1	NOT SALES
23	51886HJ8200	51886HJ8200	51886HJ8200	51886HJ8200	51886HJ8200	CUSHION,front fork cover No.2	2	NOT SALES
24	51885HJ8200	51885HJ8200	51885HJ8200	51885HJ8200	51885HJ8200	CUSHION,front fork cover No.1	2	NOT SALES
25	51882HJ8202PLA	51882HJ8202PLA	51882H88400PLA	51882H88400PLA	51882H88400PLA	COVER COMP,front fork lower RH	1	
26	51883HJ8202PLA	51883HJ8202PLA	51883H88400PLA	51883H88400PLA	51883H88400PLA	COVER COMP,front fork lower LH	1	
27	09128-06004	09128-06004	09128-06004	09128-06004	09128-06004	BOLT,front fork cover lower (M6*10)	6	NOT SALES
28	51240-G5100	51240-G5100	51240-G5100	51240-G5100	51240-G5100	OIL SEAL, FORK	1	NOT SALES
29	51241H88400	51241H88400	51241H88400	51241H88400	51241H88400	GUARD, Front fork lower cover	2	NOT SALES

FIG 36

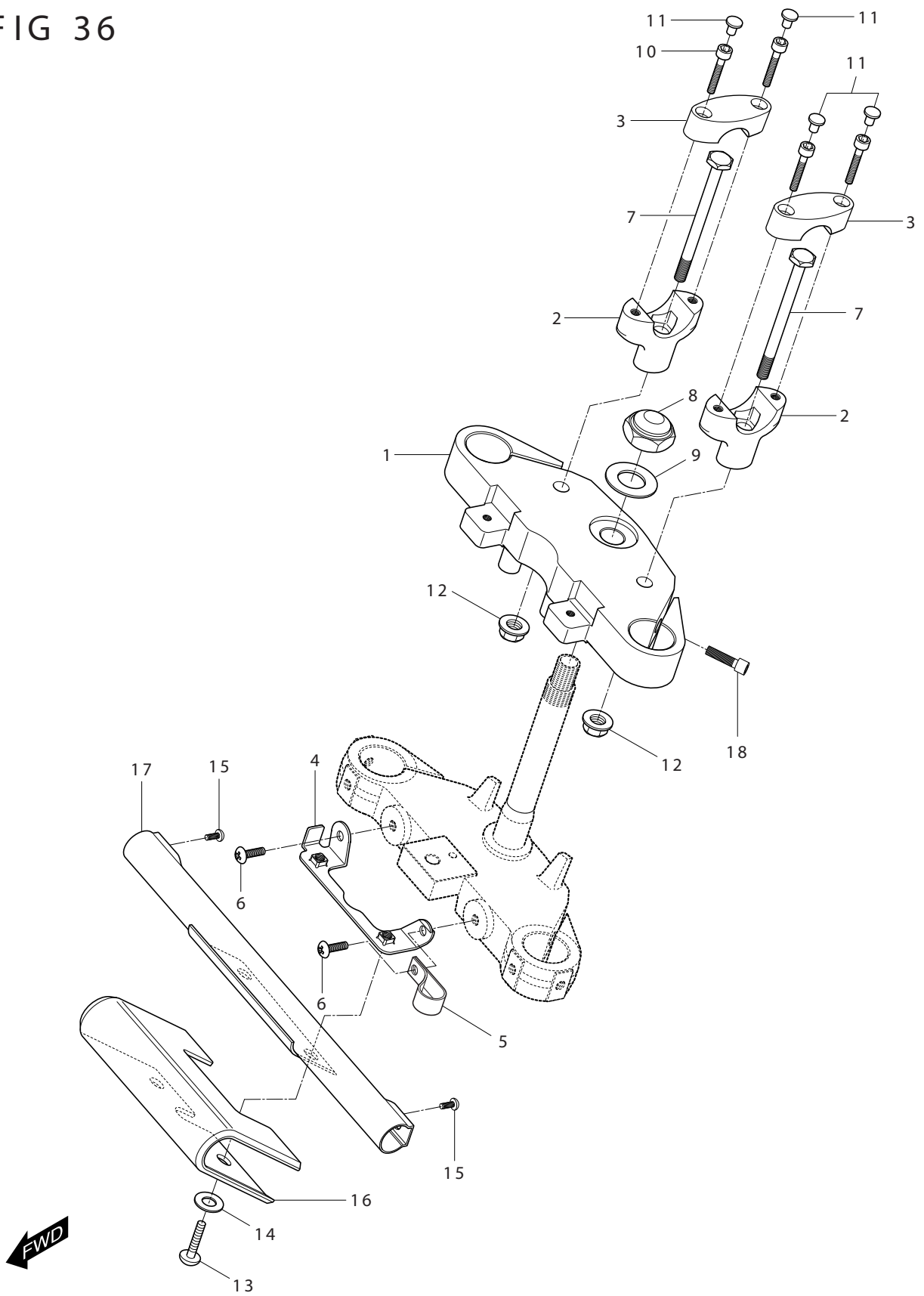


FIG 36. STEERING HEAD

REF. NO.	GV250 - FI (2008)		GV250N - EI (2009)			PARTS NAME	Q'TY (PCS)	REMARKS
	7EU01/7G01/7S01	8EN01	9EU01/9F01/9G01	8EN01	9EG02			
1	51311HG510803P	51311HG510803P	51311HG510803P	51311HG510803P	51311HG510803P	BRACKET, front fork upper	1	
2	56221HG510503P	56221HG510503P	56221HG510503P	56221HG510503P	56221HG510503P	HOLDER, handle lower	2	
3	56211HG510503P	56211HG510503P	56211HG510503P	56211HG510503P	56211HG510503P	HOLDER, handle upper	2	
4	51760HG5102	51760HG5102	51760HG5102	51760HG5102	51760HG5102	GUIDE, under bracket & cable	1	
5	09403-14404	09403-14404	09403-14404	09403-14404	09403-14404	CLAMP, bracket hose No.2	1	
6	02142-06126	02142-06126	02142-06126	02142-06126	02142-06126	SCREW, upper cable guide No.1	2	
7	09100H10071	09100H10071	09100H10071	09100H10071	09100H10071	BOLT, handle holder lower	2	
8	09159H22002	09159H22002	09159H22002	09159H22002	09159H22002	NUT, str upper	1	
9	09160H22032	09160H22032	09160H22032	09160H22032	09160H22032	WASHER, str upper	1	
10	07110-08306	07110-08306	07110-08306	07110-08306	07110-08306	BOLT, handle holder upper	4	
11	5622HG5100	5622HG5100	5622HG5100	5622HG5100	5622HG5100	CAP, handle holder up bolt	4	
12	08319-31108	08319-31108	08319-31108	08319-31108	08319-31108	NUT, handle holder lower	2	
13	09136-06022	09136-06022	09136-06022	09136-06022	09136-06022	SCREW, under bracket cover	2	
14	09169H06011	09169H06011	09169H06011	09169H06011	09169H06011	WASHER, turnsignal lamp & cover	2	NOT SALE
15	02142-05125	02142-05125	02142-05125	02142-05125	02142-05125	SCREW, turnsignal lamp & cover	2	
16	51710HJ8201	51710HJ8201	51710HJ8201	51710HJ8201	51710HJ8201	COVER, turn signal tube	1	
17	51720HJ8201PLA	51720HJ8201PLA	51720HJ8201PLA	51720HJ8201PLA	51720HJ8201PLA	TUBE COMP, turn signal	1	
18	07110-08258	07110-08258	07110-08258	07110-08258	07110-08258	BOLT, brkt upper	2	

FIG.37

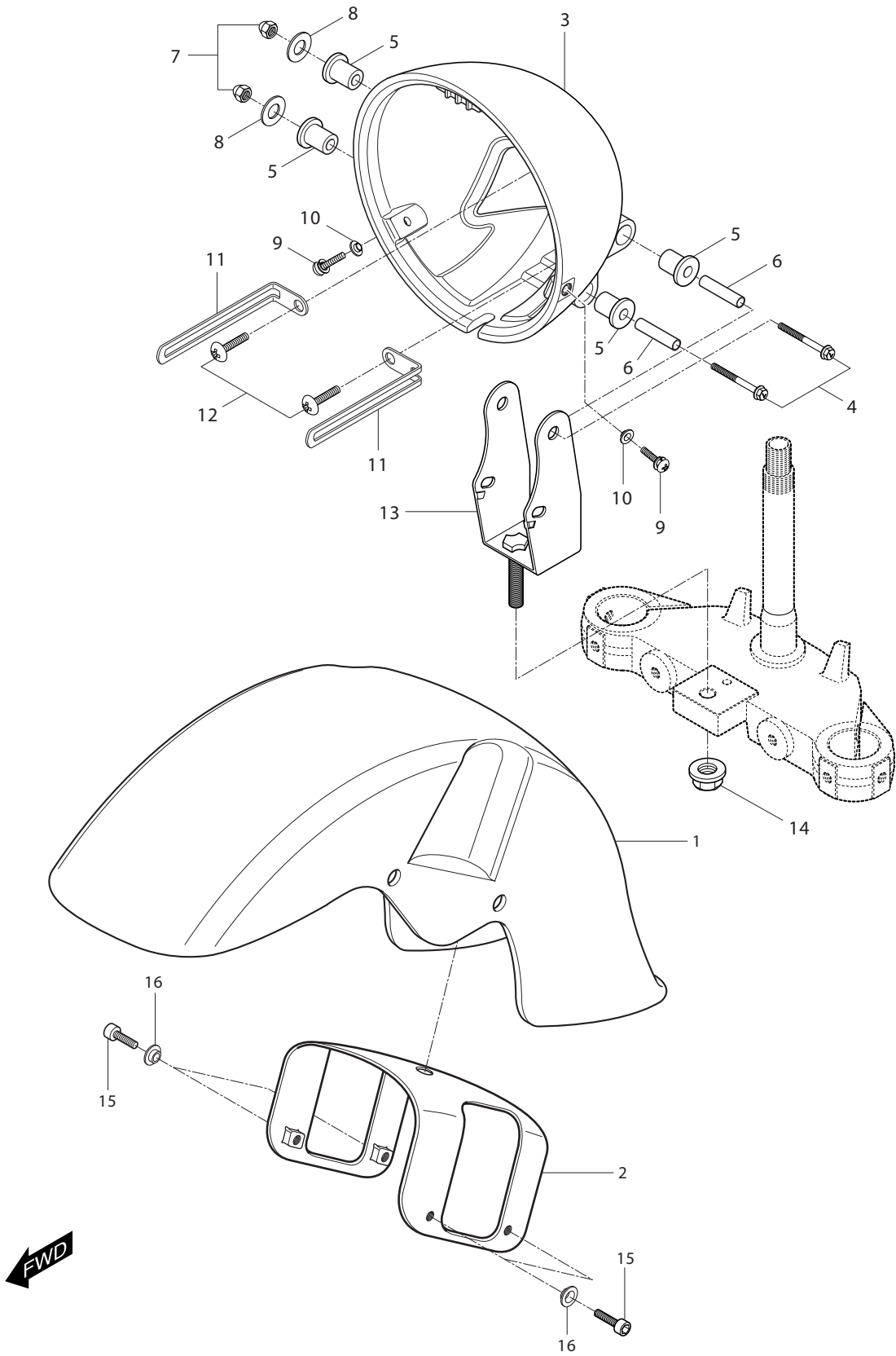


FIG 37. FRONT FENDER

REF. NO.	GV250 - FI (2008)		GV250N - EI (2009)			PARTS NAME	Q'TY (PCS)	REMARKS
	7EU01/7G01/7S01	8EN01	9EU01/9F01/9G01	8EN01	9EG02			
1	53111HJ82020MS	53111HJ82020MS				FENDER, front (BLACK+SILVER)	1	MODEL 2008
1	53111HJ82020ON	53111HJ82020ON				FENDER, front (BLACK+ORANG)	1	MODEL 2008
1	53111HJ82020SD	53111HJ82020SD				FENDER, front (BLUE+SILVER)	1	MODEL 2008
1	53111HJ82020PM	53111HJ82020PM				FENDER, front (BLACK+RED)	1	MODEL 2009
1			53111HJ8202CBK	53111HJ8202CBK	53111HJ8202CBK	FENDER, front (BLACK)	1	MODEL 2009
1			53111HJW100CRN	53111HJW100CRN	53111HJW100CRN	FENDER, front (BLACK+RED)	1	MODEL 2009(WATER DECALED)
1			53111HJW100CSN	53111HJW100CSN	53111HJW100CSN	FENDER, front (BLACK+SILVER)	1	MODEL 2009(WATER DECALED)
2	53211HJ8201	53211HJ8201	53211HJ8201	53211HJ8201	53211HJ8201	BRACE, front fender	1	
3	51811HG5150	51811HG5150	51811HG5150	51811HG5150	51811HG5150	HOUSING, head lamp	1	
4	09103H06013	09103H06013	09103H06013	09103H06013	09103H06013	BOLT, headlamp housing & bracket	2	
5	09320H09017	09320H09017	09320H09017	09320H09017	09320H09017	CUSHION, headlamp housing & brkt	4	
6	09180H06034	09180H06034	09180H06034	09180H06034	09180H06034	SPACER, headlamp housing & brkt	2	
7	08313-11066	08313-11066	08313-11066	08313-11066	08313-11066	NUT, headlamp housing & bracket	2	
8	09160-06060	09160-06060	09160-06060	09160-06060	09160-06060	WASHER, headlamp housing & brkt	2	
9	02112-95208	02112-95208	02112-95208	02112-95208	02112-95208	SCREW, housing & headlamp	2	
10	09169-05008	09169-05008	09169-05008	09169-05008	09169-05008	WASHER, housing & headlamp	2	
11	09404-06405	09404-06405	09404-06405	09404-06405	09404-06405	CLAMP, headlamp housing	2	
12	03241-05106	03241-05106	03241-05106	03241-05106	03241-05106	SCREW, headlamp housing clamp	2	
13	51820HJ8201	51820HJ8201	51820HJ8201	51820HJ8201	51820HJ8201	BRACKET COMP, headlamp housing	1	
14	08319-31106	08319-31106	08319-31106	08319-31106	08319-31106	NUT, housing brkt & under bracket	1	
15	07110-08256	07110-08256	07110-08256	07110-08256	07110-08256	BOLT, front fender	4	
16	09169-08034	09169-08034	09169-08034	09169-08034	09169-08034	WASHER, front fender	4	

FIG.38

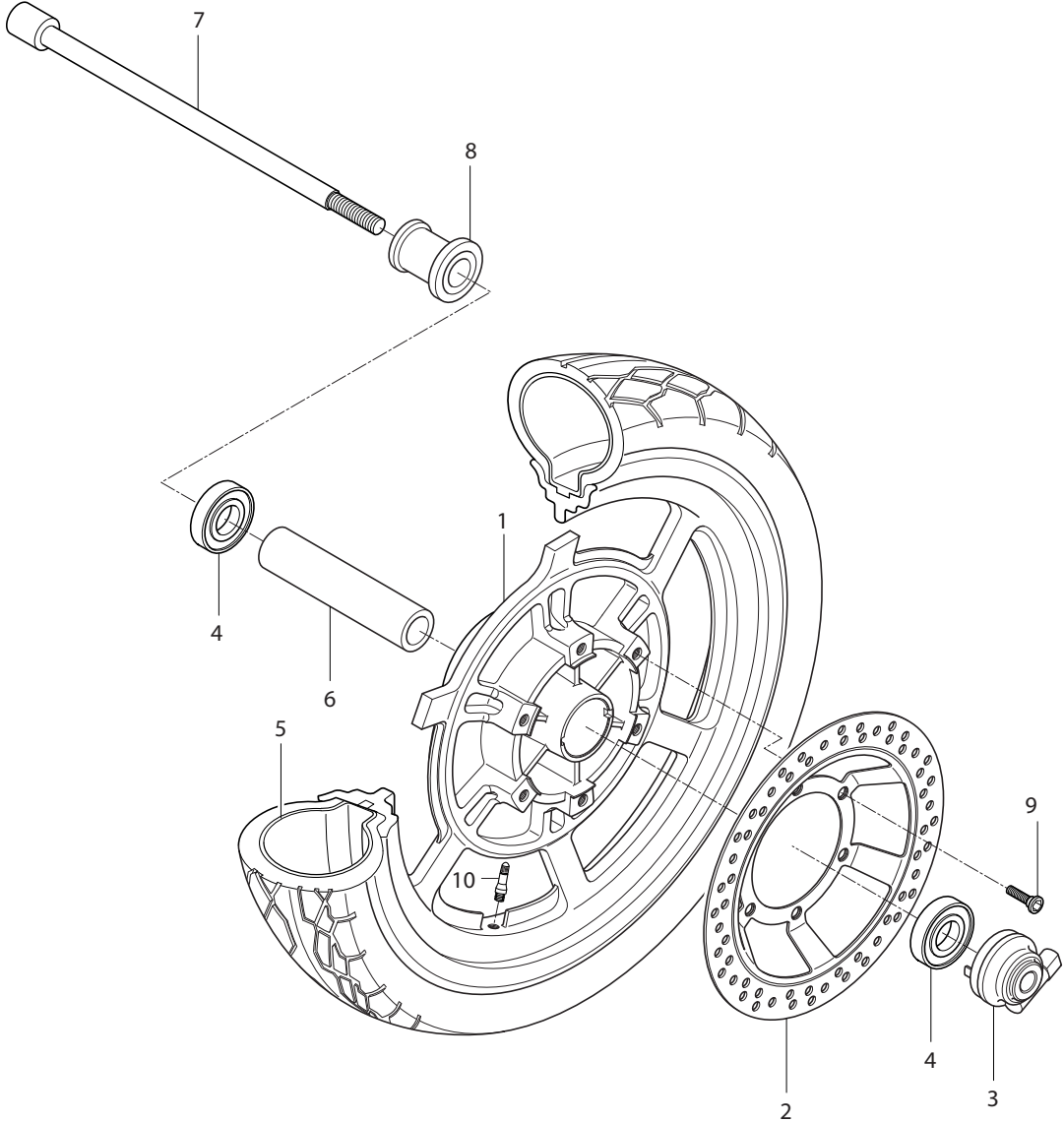


FIG 38. FRONT WHEEL

REF. NO.	GV250 - FI (2008)		GV250N - EI (2009)			PARTS NAME	QTY (PCS)	REMARKS
	7EU01/7G01/7S01	8EN01	9EU01/9F01/9G01	8EN01	9EG02			
0	54140HG5100HPA	54140HG5100HPA	54140HG5100HPA	54140HG5100HPA	54140HG5100HPA	WHEEL ASSY,front		
1	54141HG5104	54141HG5104	54141HG5104	54141HG5104	54141HG5104	WHEEL, front (J16xMT2.50)	1	
2	59211HG5101	59211HG5101	59211HG5101	59211HG5101	59211HG5101	DISC, front brake	1	
3	54600HG5102	54600HG5102	54600HG5102	54600HG5102	54600HG5102	BOX ASS'Y, speedometer gear	1	
4	08124-63027	08124-63027	08124-63027	08124-63027	08124-63027	BEARING, front hub (R/L)	2	
5	55101HJ8200	55101HJ8200	55101HJ8200	55101HJ8200	55101HJ8200	TIRE SET, front (110/90-16 59s)	1	
6	54731HG5100	54731HG5100	54731HG5100	54731HG5100	54731HG5100	SPACER, front hub bearing	1	
7	54711HG5101	54711HG5101	54711HG5101	54711HG5101	54711HG5101	AXLEL, front	1	
8	54750HG5100	54750HG5100	54750HG5100	54750HG5100	54750HG5100	SPACER COMP, front axlel L	1	
9	59421-03A01	59421-03A01	59421-03A01	59421-03A01	59421-03A01	BOLT, front brake disc	6	
10	55220-41D10	55220-41D10	55220-41D10	55220-41D10	55220-41D10	VALVE ASS'Y, wheel rim	1	

FIG.39

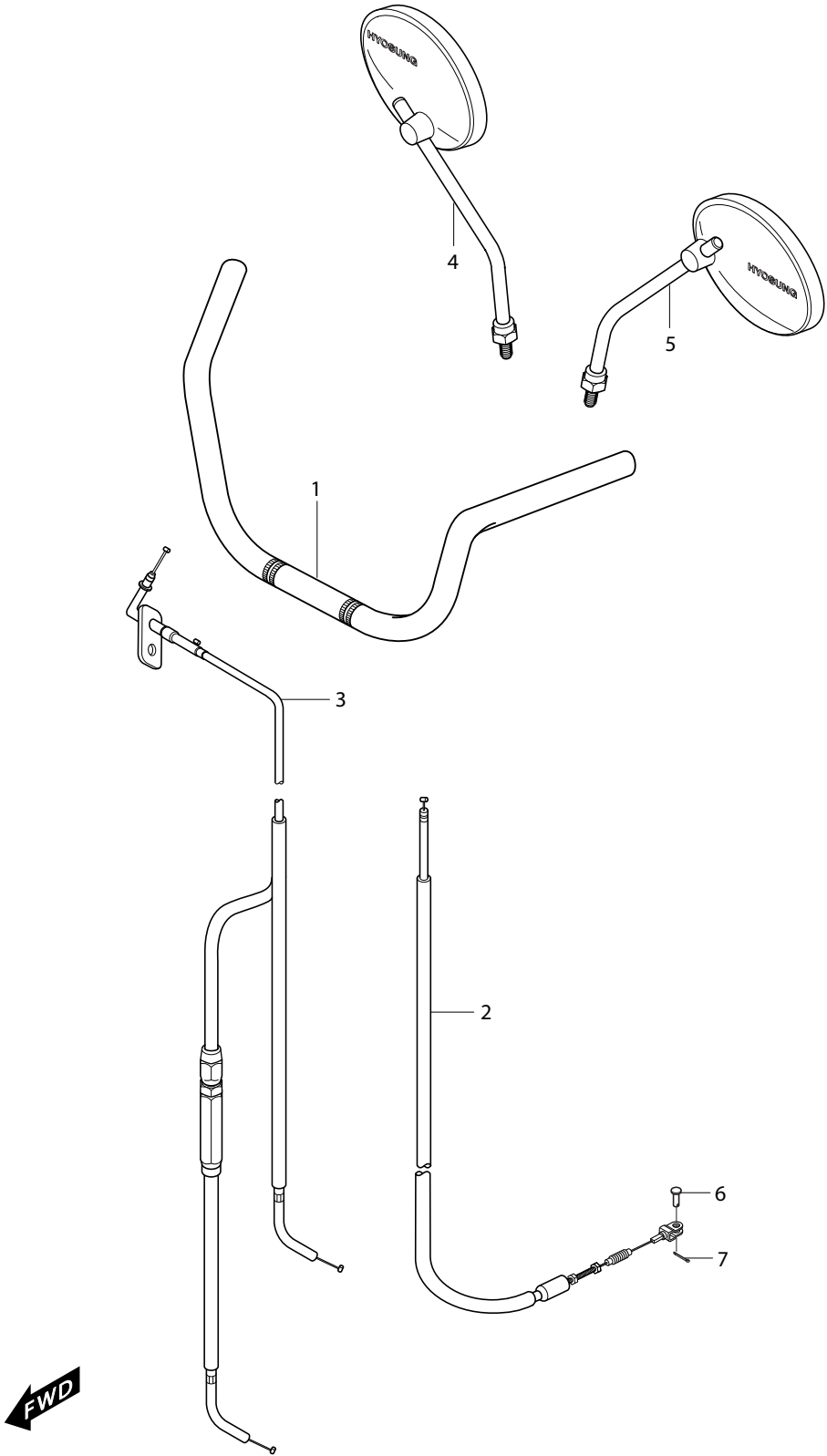
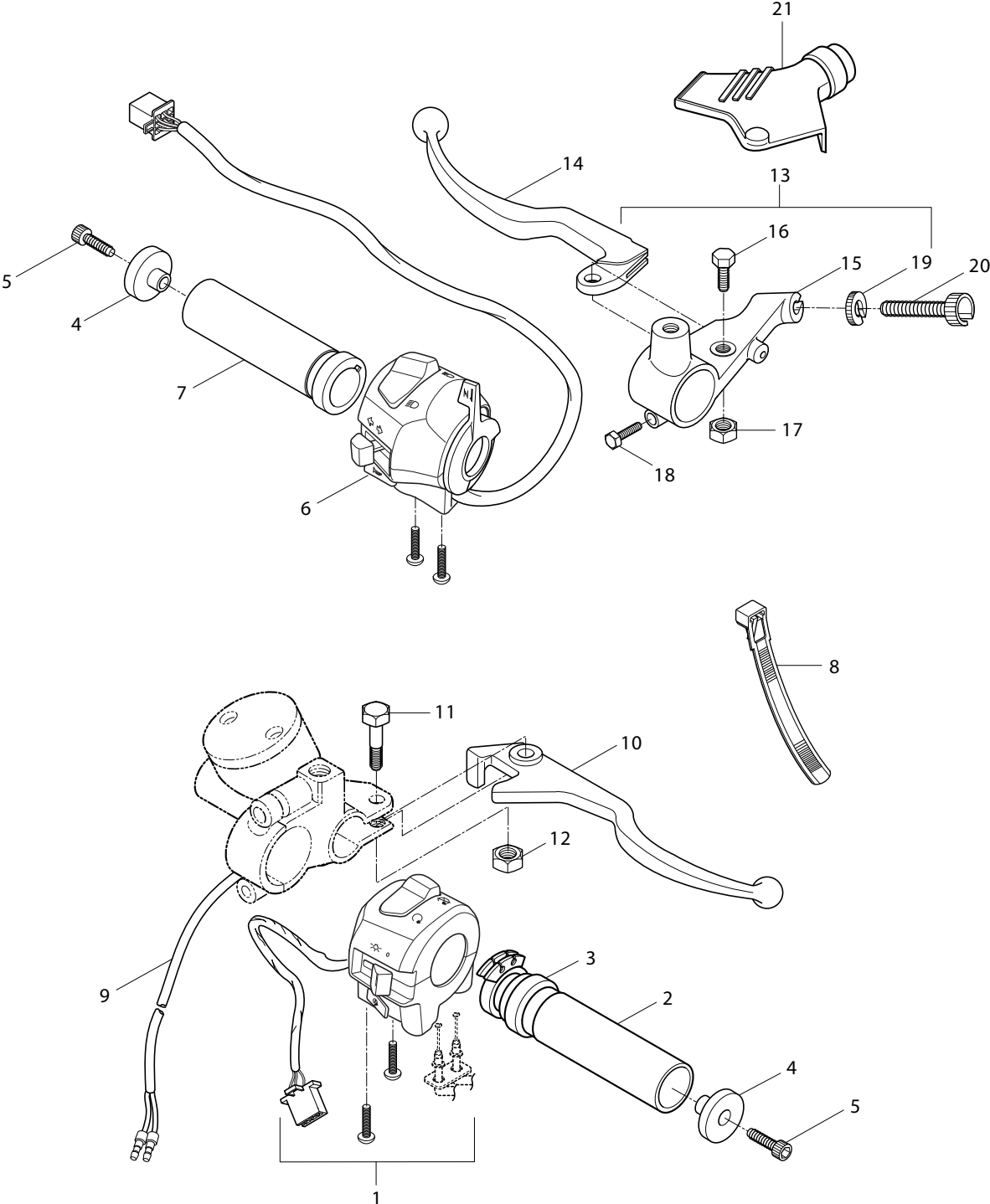


FIG 39. HANDLE BAR

REF. NO.	GV250 - FI (2008)		GV250N - EI (2009)			PARTS NAME	Q'TY (PCS)	REMARKS
	7EU01/7G01/7S01	8EN01	9EU01/9F01/9G01	8EN01	9EG02			
1	56110HR8450WED	56110HR8450WED	56110H88401WED	56110H88401WED	56110H88401WED	HANDLE BAR COMP	1	
2	58200HG5101	58200HG5101	58200HG5101	58200HG5101	58200HG5101	CABLE ASS`Y CLUTCH	1	
3	58300HR8401	58300HR8401	58300HR8401	58300HR8401	58300HR8401	CABLE ASS`Y, throttle	1	
4	56500HG5150	56500HG5150	56500HG5150	56500HG5150	56500HG5150	MIRROR ASS`Y, rear view R	1	
5	56600HG5150	56600HG5150	56600HG5150	56600HG5150	56600HG5150	MIRROR ASS`Y, rear view L	1	
6	09200-06004	09200-06004	09200-06004	09200-06004	09200-06004	PIN, clutch cable	1	
7	04111-20158	04111-20158	04111-20158	04111-20158	04111-20158	COTTER PIN, clutch	1	
*	56501HG5150	56501HG5150	56501HG5150	56501HG5150	56501HG5150	MIRROR SET(RH + LH)	1	

FWD

FIG.40



FWD

FIG 40. HANDLE SWITCH

REF. NO.	GV250 - FI (2008)		GV250N - EI (2009)			PARTS NAME	Q'TY (PCS)	REMARKS
	7EU01/7G01/7S01	8EN01	9EU01/9F01/9G01	8EN01	9EG02			
1	37200HR8400	37200HR8400	37200HR8450	37200HR8450	37200HR8400	SWITCH ASSY, handle R	1	
2	57110HG5102	57110HG5102	57110HG5102	57110HG5102	57110HG5102	GRIP COMP, throttle	1	
3	57113H93B00	57113H93B00	57113H93B00	57113H93B00	57113H93B00	COVER, throttle grip	1	NOT SALE
4	56271H93B01	56271H93B01	56271H93B01	56271H93B01	56271H93B01	BALANCER	2	
5	07110-08258	07110-08258	07110-08258	07110-08258	07110-08258	BOLT, handle balancer	2	
6	37400HR8400	37400HR8400	37400HR8400	37400HR8400	37400HR8400	SWITCH ASSY, handle L	1	
7	57210HG5100	57210HG5100	57210HG5100	57210HG5100	57210HG5100	GRIP COMP, L	1	
8	09407-20406	09407-20406	09407-20406	09407-20406	09407-20406	CLAMP, handle switch lead wire	1	
9	57460H93B00	57460H93B00	57460H93B00	57460H93B00	57460H93B00	SWITCH ASSY, stop	1	
10	57421HJ8200	57421HJ8200	57421HJ8200	57421HJ8200	57421HJ8200	LEVER, brake	1	
11	57431H18622	57431H18622	57431H18622	57431H18622	57431H18622	BOLT, brake lever pivot	1	
12	08319-21068	08319-21068	08319-21068	08319-21068	08319-21068	NUT, brake lever pivot	1	
13	57500HG5160	57500HG5160	57500HG5160	57500HG5160	57500HG5160	LEVER ASSY, clutch	1	
14	57620HN9101	57620HN9101	57620HN9101	57620HN9101	57620HN9101	CLUTCH LEVER	1	
15	57511HG5160	57511HG5160	57511HG5160	57511HG5160	57511HG5160	HOLDER, clutch lever	1	
16	57431H18623	57431H18623	57431H18623	57431H18623	57431H18623	BOLT, brake lever pivot	1	
17	08319-21068	08319-21068	08319-21068	08319-21068	08319-21068	NUT, brake lever pivot	1	
18	57531HN9100	57531HN9100	57531HN9100	57531HN9100	57531HN9100	BOLT, clutch lever pivot	1	
19	57442H93B00	57442H93B00	57442H93B00	57442H93B00	57442H93B00	LOCK NUT	1	
20	57441H93B00	57441H93B00	57441H93B00	57441H93B00	57441H93B00	ADJUSTER, wire	1	
21	57661HN9100	57661HN9100	57661HN9100	57661HN9100	57661HN9100	COVER, clutch lever	1	

FIG.41

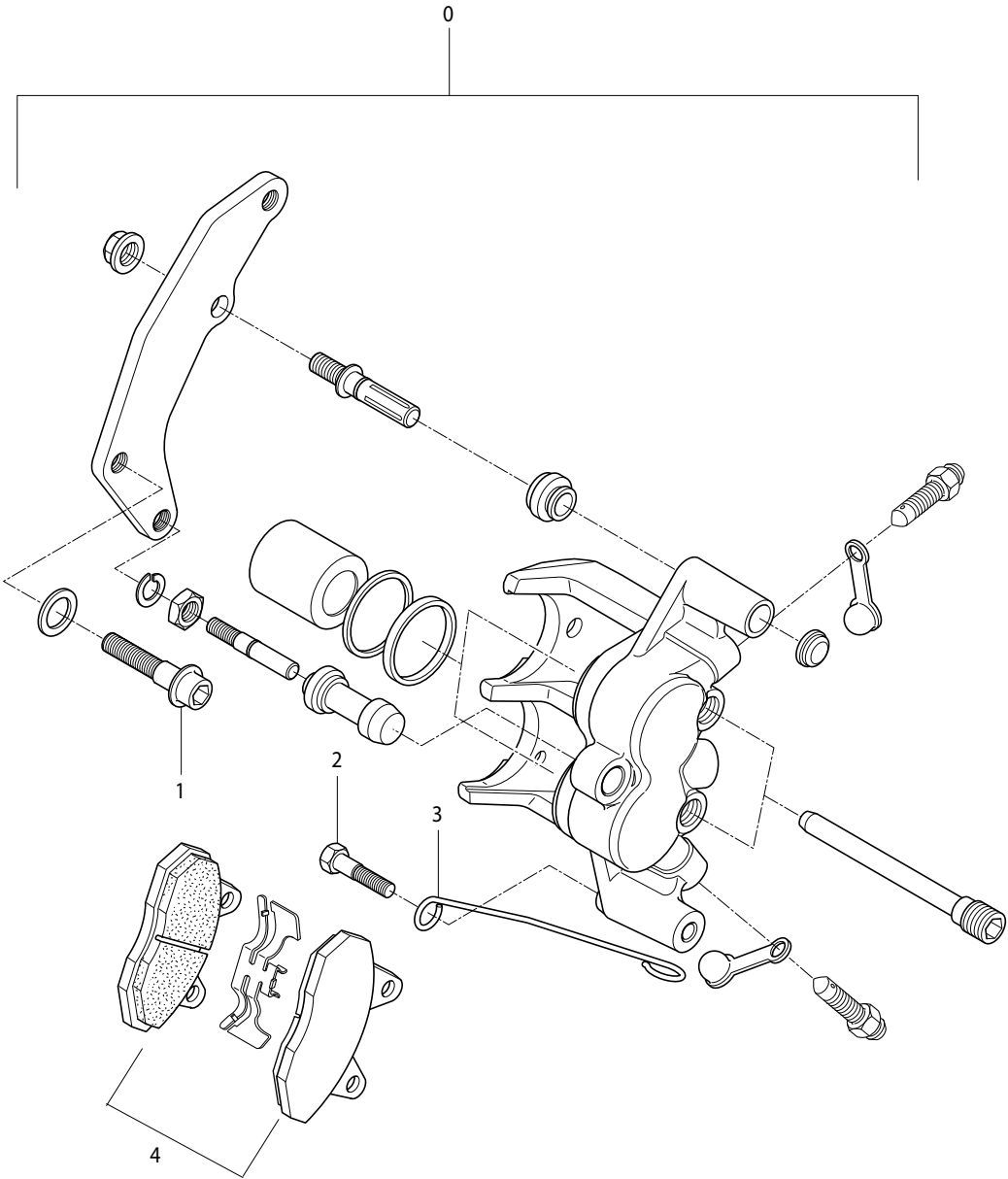


FIG 41. CALIPER

REF. NO.	GV250 - FI (2008)		GV250N - EI (2009)			PARTS NAME	Q'TY (PCS)	REMARKS
	7EU01/7G01/7S01	8EN01	9EU01/9F01/9G01	8EN01	9EG02			
0	59300HG5112	59300HG5112	59300HG5112	59300HG5112	59300HG5112	CALIPER ASS`Y, L	1	
1	09103H08254	09103H08254	09103H08254	09103H08254	09103H08254	BOLT, caliper	2	
2	01514-06106	01514-06106	01514-06106	01514-06106	01514-06106	BOLT, speedometer cable guide	1	
3	51418HF4501	51418HF4501	51418HF4501	51418HF4501	51418HF4501	GUIDE, speedometer cable	1	
4	59301HP9500	59301HP9500	59301HP9500	59301HP9500	59301HP9500	.PAD COMP,caliper(8.4t)		

FIG.42

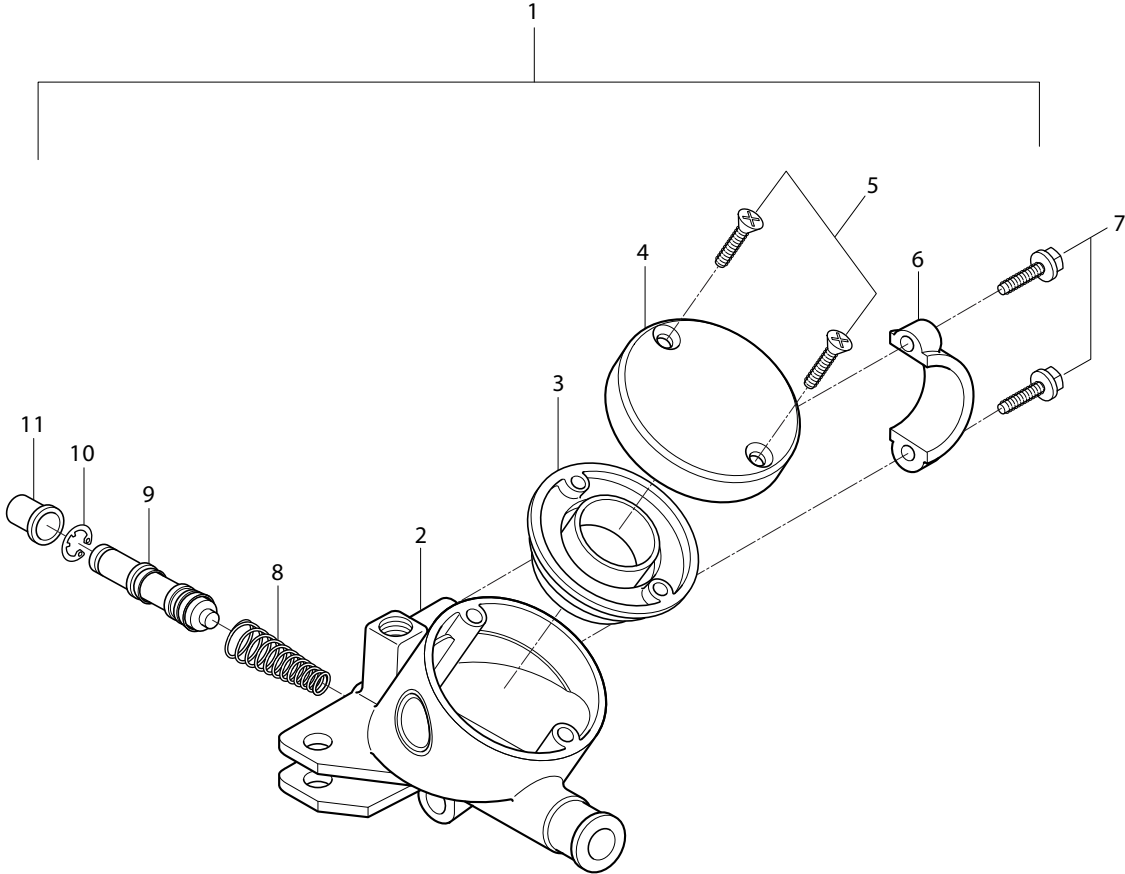


FIG 42. MASTER CYLINDER

REF. NO.	GV250 - FI (2008)		GV250N - EI (2009)			PARTS NAME	Q'TY (PCS)	REMARKS
	7EU01/7G01/7S01	8EN01	9EU01/9F01/9G01	8EN01	9EG02			
1	59600HG5102	59600HG5102	59600HG5102	59600HG5102	59600HG5102	CYLINDER ASSY, front master	1	
2	59661H93B00	59661H93B00	59661H93B00	59661H93B00	59661H93B00	.BODY	1	NOT SALE
3	59686H93B00	59686H93B00	59686H93B00	59686H93B00	59686H93B00	.DIAPHRAGM	1	NOT SALE
4	59669H93B00	59669H93B00	59669H93B00	59669H93B00	59669H93B00	.CAP, reservoir	1	NOT SALE
5	59691H93B00	59691H93B00	59691H93B00	59691H93B00	59691H93B00	.SCREW, reservoir	1	NOT SALE
6	59671H93B00	59671H93B00	59671H93B00	59671H93B00	59671H93B00	.HOLDER	1	NOT SALE
7	59693-45100	59693-45100	59693-45100	59693-45100	59693-45100	.BOLT SET	1	NOT SALE
8	59621-36500	59621-36500	59621-36500	59621-36500	59621-36500	.SPRING, return	1	NOT SALE
9	59611-36500	59611-36500	59611-36500	59611-36500	59611-36500	.PISTON	1	NOT SALE
10	59665-36500	59665-36500	59665-36500	59665-36500	59665-36500	.CIRCLIP	1	NOT SALE
11	59666-54100	59666-54100	59666-54100	59666-54100	59666-54100	.BOOT COMP	1	NOT SALE

FIG.43

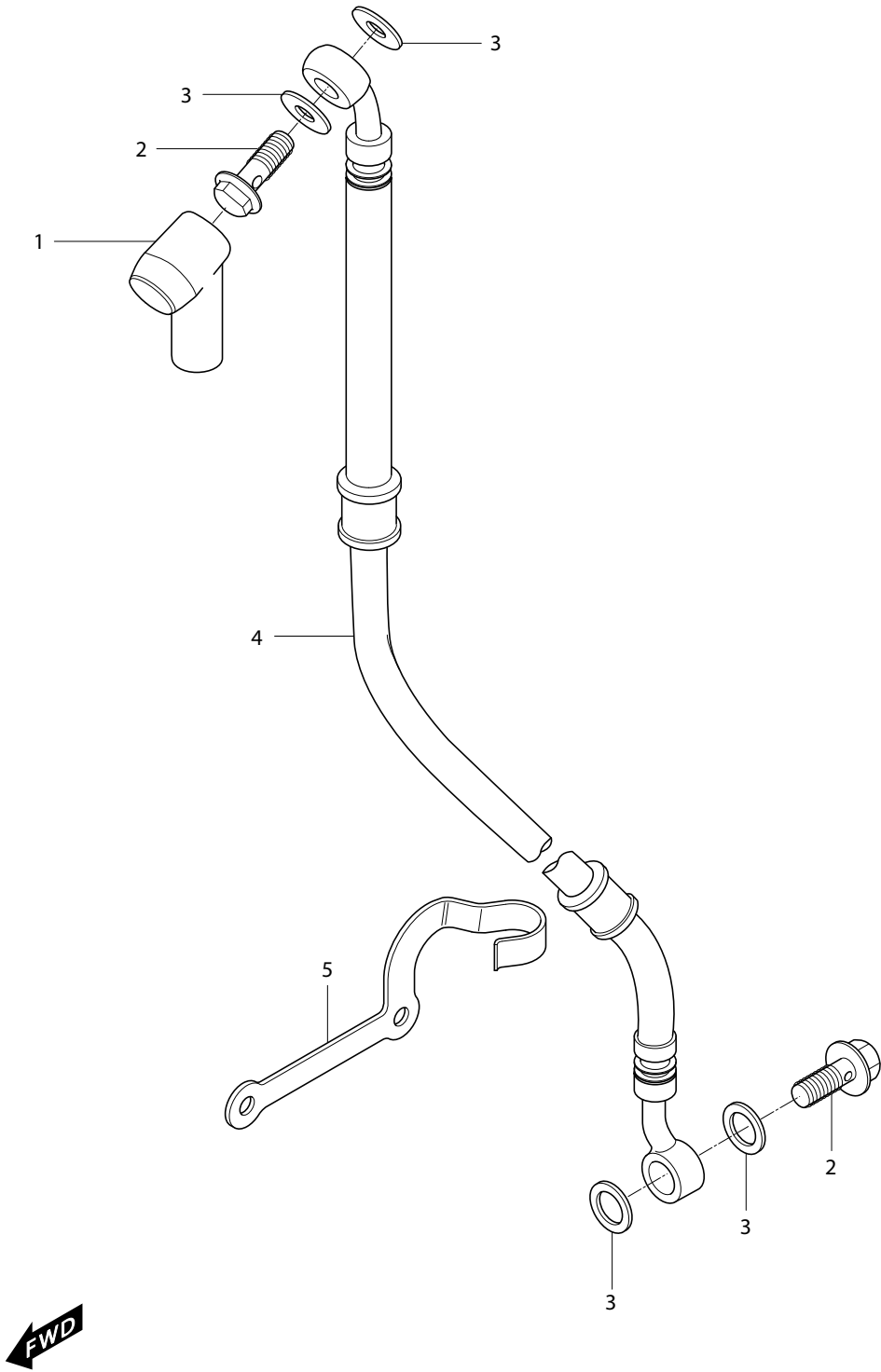


FIG 43. FRONT BRAKE HOSE

REF. NO.	GV250 - FI (2008)		GV250N - EI (2009)			PARTS NAME	Q'TY (PCS)	REMARKS
	7EU01/7G01/7S01	8EN01	9EU01/9F01/9G01	8EN01	9EG02			
1	59711H49002	59711H49002	59711H49002	59711H49002	59711H49002	BOOT, brake hose	1	
2	09360-10039	09360-10039	09360-10039	09360-10039	09360-10039	BOLT, brake hose	2	
3	09161-10005	09161-10005	09161-10005	09161-10005	09161-10005	WASHER, brake hose	4	
4	59480HJ8202	59480HJ8202	59480H88400	59480H88400	59480H88400	HOSE, front brake	1	
5	59266HJ8200	59266HJ8200	59266HJ8200	59266HJ8200	59266HJ8200	CLAMP, brake hose No.1	1	

FIG.44

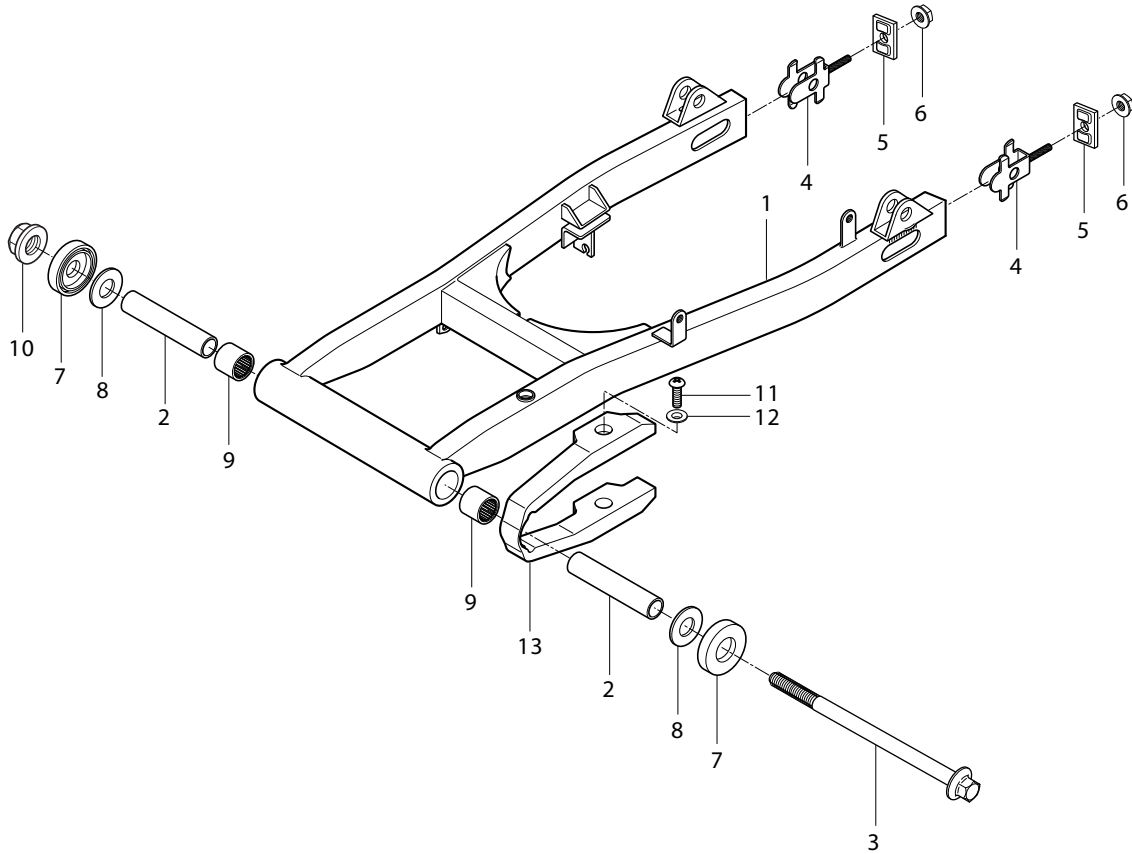


FIG 44. SWINGING ARM

REF. NO.	GV250 - FI (2008)		GV250N - EI (2009)			PARTS NAME	Q'TY (PCS)	REMARKS
	7EU01/7G01/7S01	8EN01	9EU01/9F01/9G01	8EN01	9EG02			
1	61100HJ8204PAM	61100HJ8204PAM	61100HJ8204PAM	61100HJ8204PAM	61100HJ8204PAM	SWINGING ARM ASS'Y, rear	1	
2	61251HG5100	61251HG5100	61251HG5100	61251HG5100	61251HG5100	SPACER, swing. arm. pivot. bearing	2	
3	61211HG5101	61211HG5101	61211HG5101	61211HG5101	61211HG5101	SHAFT, rear swinging arm. pivot	1	
4	61410HJ8200	61410HJ8200	61410HJ8200	61410HJ8200	61410HJ8200	ADTUSTER COMP, chain	2	
5	61421-01D00	61421-01D00	61421-01D00	61421-01D00	61421-01D00	PLATE, chain adjuster guide	2	
6	08319-31088	08319-31088	08319-31088	08319-31088	08319-31088	NUT, chain adjuster	2	
7	61262-45002	61262-45002	61262-45002	61262-45002	61262-45002	COVER, rear swinging arm pivot	2	
8	08211-14341	08211-14341	08211-14341	08211-14341	08211-14341	THRUST WASHER, swinging arm pivot	2	
9	09263-22017	09263-22017	09263-22017	09263-22017	09263-22017	BEARING, rear swinging arm pivot	2	
10	08319-31128	08319-31128	08319-31128	08319-31128	08319-31128	NUT, rear swinging arm pivot	1	
11	02142-06166	02142-06166	02142-06166	02142-06166	02142-06166	SCREW, chain touch defense buffer	2	
12	09169H06011	09169H06011	09169H06011	09169H06011	09169H06011	WASHER, chain touch defense buffer	2	
13	61273HJ8200	61273HJ8200	61273HJ8200	61273HJ8200	61273HJ8200	BUFFER, chain touch deffnse	1	

FIG.45

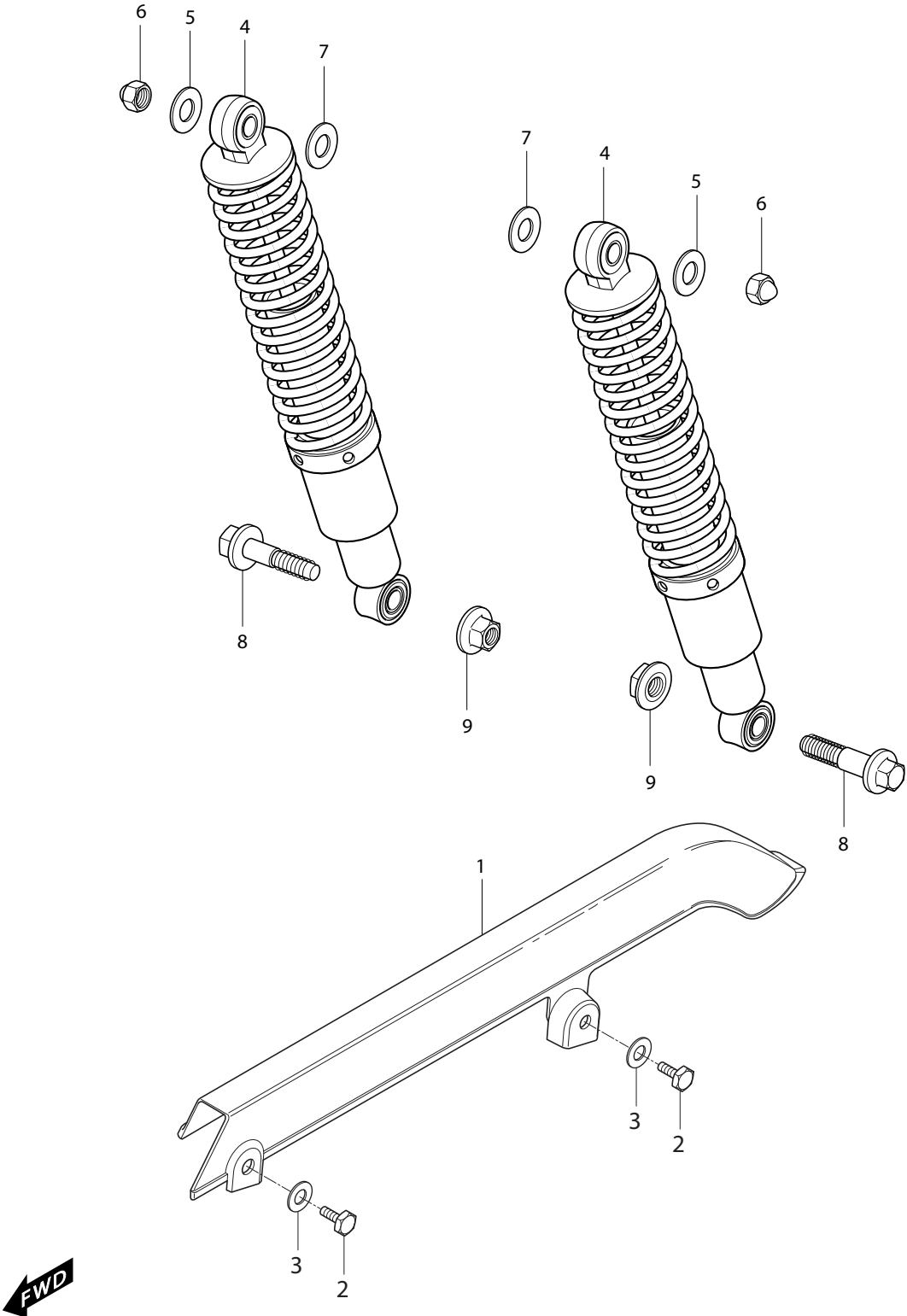


FIG 45. REAR SHOCK ABSORBER

REF. NO.	GV250 - FI (2008)		GV250N - EI (2009)			PARTS NAME	Q'TY (PCS)	REMARKS
	7EU01/7G01/7S01	8EN01	9EU01/9F01/9G01	8EN01	9EG02			
1	61311HG5103	61311HG5103	61311HG5103	61311HG5103	61311HG5103	CASE, chain	1	
2	01104-06128	01104-06128	01104-06128	01104-06128	01104-06128	BOLT, chain. case	2	
3	09169-06010	09169-06010	09169-06010	09169-06010	09169-06010	WASHER, chain case	2	
4	62100HJ8200	62100HJ8200	62100HJ8200	62100HJ8200	62100HJ8200	REAR SHOCK ABSORBER ASS'Y	2	
5	09160-10001	09160-10001	09160-10001	09160-10001	09160-10001	WASHER, rear shock absorber upper	2	
6	08313-11107	08313-11107	08313-11107	08313-11107	08313-11107	NUT, rear shock absorber upper	2	
7	08322-21128	08322-21128	08322-21128	08322-21128	08322-21128	WASHER, rr shock absorber inner upper	2	
8	62311-05350	62311-05350	62311-05350	62311-05350	62311-05350	BOLT, rear shock absorber lower	2	
9	08316-16128	08316-16128	08316-16128	08316-16128	08316-16128	NUT, rear shock absorber lower	2	

FIG.46

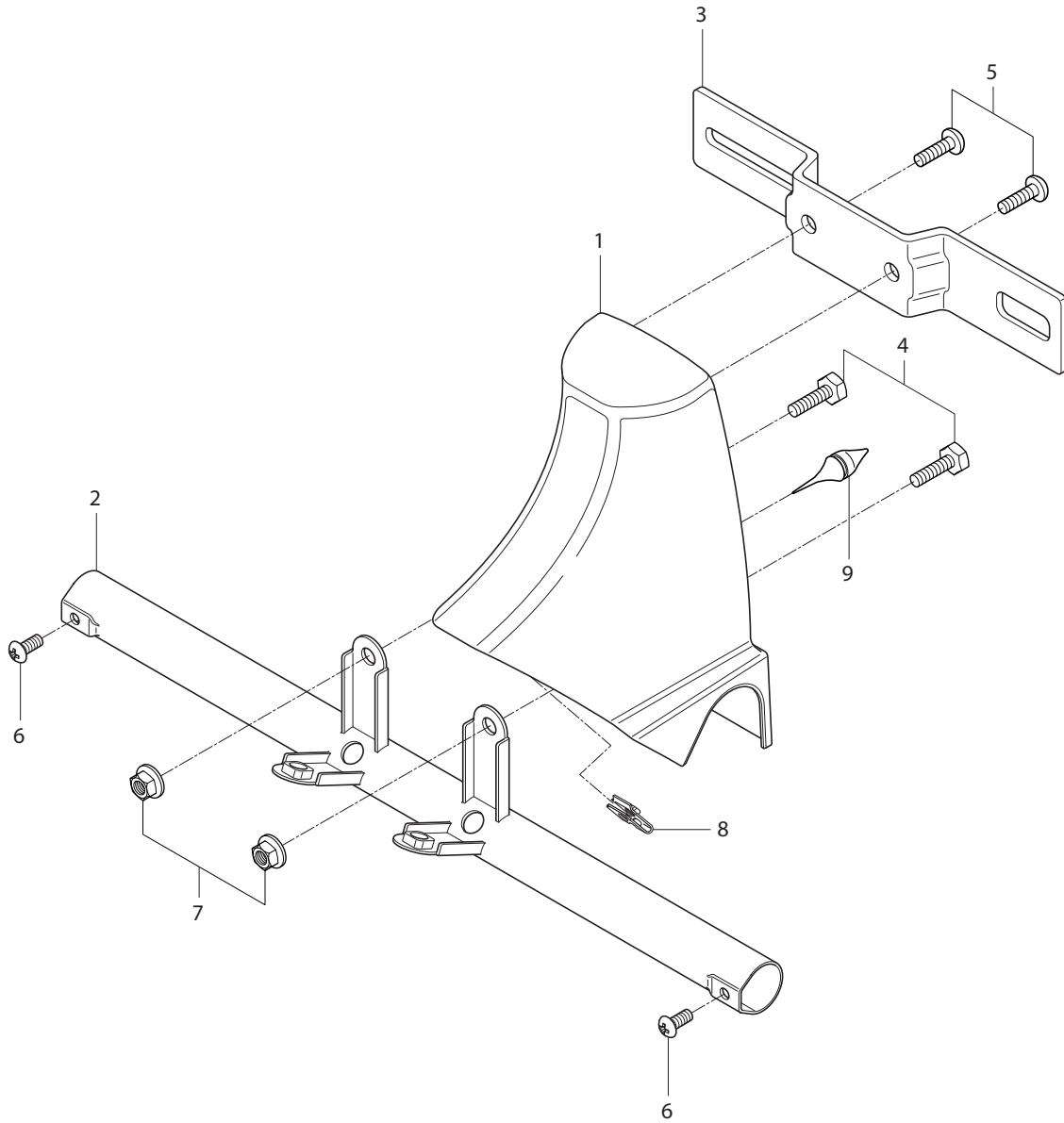


FIG 46. TAIL REAR COVER

REF. NO.	GV250 - FI (2008)		GV250N - EI (2009)			PARTS NAME	Q'TY (PCS)	REMARKS
	7EU01/7G01/7S01	8EN01	9EU01/9F01/9G01	8EN01	9EG02			
1	45541HJ8201	45541HJ8201	45541HJ8201	45541HJ8201	45541HJ8201	COVER TAIL,rear	1	
2	45530HJ8202PLA	45530HJ8202PLA	45530HJ8202PLA	45530HJ8202PLA	45530HJ8202PLA	BRACKET COMP, tail rear cover	1	
3	35927H44430	35927H44430	35927H44430	35927H44430	35927H44430	BRACKET, license plate	1	
4	01107-06166	01107-06166	01107-06166	01107-06166	01107-06166	BOLT, tail rear cover rear	2	
5	02142-06126	02142-06126	02142-06126	02142-06126	02142-06126	SCREW, license plate bracket	2	
6	02142-05125	02142-05125	02142-05125	02142-05125	02142-05125	SCREW, turnsignal lamp	2	
7	08316-16066	08316-16066	08316-16066	08316-16066	08316-16066	NUT, tail rear cover rear	2	
8	09148-06020	09148-06020	09148-06020	09148-06020	09148-06020	NUT, tail rear cover	1	
9	09321-06023	09321-06023	09321-06023	09321-06023	09321-06023	CUSHION, license plate	1	

FIG.47

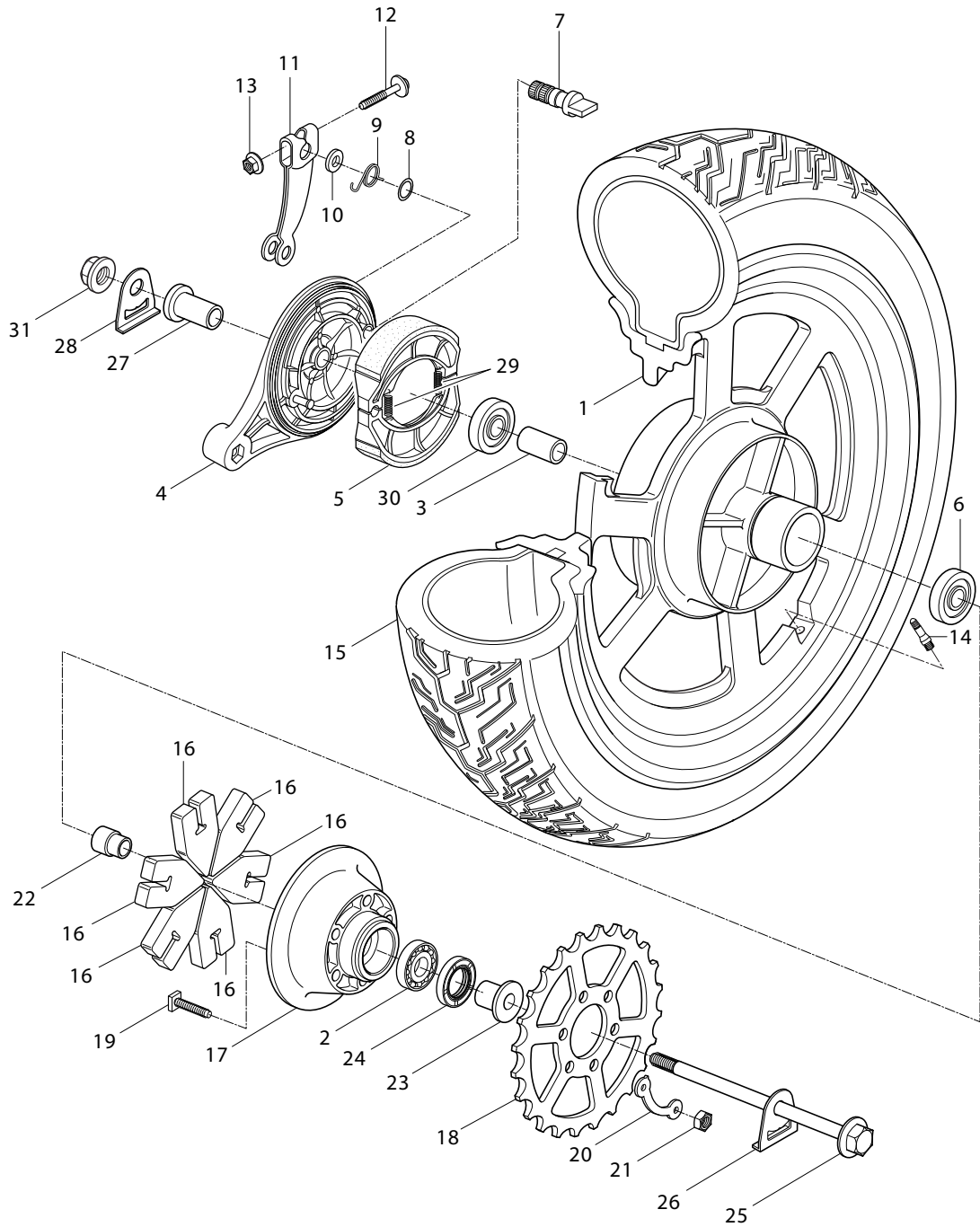


FIG 47. REAR WHEEL

REF. NO.	GV250 - FI (2008)		GV250N - EI (2009)			PARTS NAME	QTY (PCS)	REMARKS
	7EU01/7G01/7S01	SEN01	9EU01/9F01/9G01	SEN01	9EG02			
1	64150HJ8200HPA	64150HJ8200HPA	64150HJ8200HPA	64150HJ8200HPA	64150HJ8200HPA	WHEEL COMP, rear (J15xMT3.00)	1	
2	08113-63057	08113-63057	08113-63057	08113-63057	08113-63057	BEARING, rear sprocket mounting drum	1	
3	64731HJ8200	64731HJ8200	64731HJ8200	64731HJ8200	64731HJ8200	SPACER, rear wheel bearing(L=85.2)	1	
4	64200HJ8200	64200HJ8200	64200HJ8200	64200HJ8200	64200HJ8200	PANEL COMP, rear brake anchor	1	
5	64400SJ8200	64400SJ8200	64400SJ8200	64400SJ8200	64400SJ8200	SHOE COMP, rear brake	2	
6	08123-63037	08123-63037	08123-63037	08123-63037	08123-63037	BEARING, rear wheel L	1	
7	64441HJ8202	64441HJ8202	64441HJ8202	64441HJ8202	64441HJ8202	CAM COMP, rear brake	1	
8	09280-15001	09280-15001	09280-15001	09280-15001	09280-15001	O-RING, rear brake cam	1	
9	09448-33006	09448-33006	09448-33006	09448-33006	09448-33006	SPRING, rear brake panel	1	
10	09160H15001	09160H15001	09160H15001	09160H15001	09160H15001	WASHER, rear brake cam dust seal	1	
11	64451-13200	64451-13200	64451-13200	64451-13200	64451-13200	LEVER, rear brake cam	1	
12	01517-06356	01517-06356	01517-06356	01517-06356	01517-06356	BOLT, rear brake cam lever	1	
13	08316-16066	08316-16066	08316-16066	08316-16066	08316-16066	NUT, rear brake cam lever	1	
14	55220-41D10	55220-41D10	55220-41D10	55220-41D10	55220-41D10	VALVE ASS'Y, wheel rim	1	
15	65101HJ8200	65101HJ8200	65101HJ8200	65101HJ8200	65101HJ8200	TIRE SET, rear (150/80-15 M/C 70S)	1	
16	64651HJ8201	64651HJ8201	64651HJ8201	64651HJ8201	64651HJ8201	SHOCK ABSORBER, rear wheel	1	
17	64611HJ8203	64611HJ8203	64611HJ8203	64611HJ8203	64611HJ8203	DRUM, rear sprocket mounting	1	
18	64511HJ8205	64511HJ8205	64511HJ8205	64511HJ8205	64511HJ8205	SPROCKET, rear(520-46T)	1	
19	09105-10006	09105-10006	09105-10006	09105-10006	09105-10006	BOLT, rear sprocket	6	
20	09169-10013	09169-10013	09169-10013	09169-10013	09169-10013	WASHER, rear sprocket	3	
21	08310-11108	08310-11108	08310-11108	08310-11108	08310-11108	NUT, rear sprocket	6	
22	64733HJ8200	64733HJ8200	64733HJ8200	64733HJ8200	64733HJ8200	RETAINER, rear sprocket drum	1	
23	64751HJ8200	64751HJ8200	64751HJ8200	64751HJ8200	64751HJ8200	SPACER, rear axle L	1	
24	09285-33001	09285-33001	09285-33001	09285-33001	09285-33001	OIL SEAL, RR sprocket mounting drum	1	
25	64711HJ8201	64711HJ8201	64711HJ8201	64711HJ8201	64711HJ8201	AXLE, rear	1	
26	64712HJ8201	64712HJ8201	64712HJ8201	64712HJ8201	64712HJ8201	WASHER, chain adjuster R	1	
27	64741HJ8201	64741HJ8201	64741HJ8201	64741HJ8201	64741HJ8201	SPACER, rear axle R	1	
28	64712HJ8201	64712HJ8201	64712HJ8201	64712HJ8201	64712HJ8201	WASHER, chain adjuster L	1	
29	55420HJ8204	55420HJ8204	55420HJ8204	55420HJ8204	55420HJ8204	SPRING, rear brake shoe	1	
30	08123-63037	08123-63037	08123-63037	08123-63037	08123-63037	BEARING, rear wheel R	1	
31	09159H16002	09159H16002	09159H16002	09159H16002	09159H16002	NUT, rear axle	1	

FIG.48 (2008)

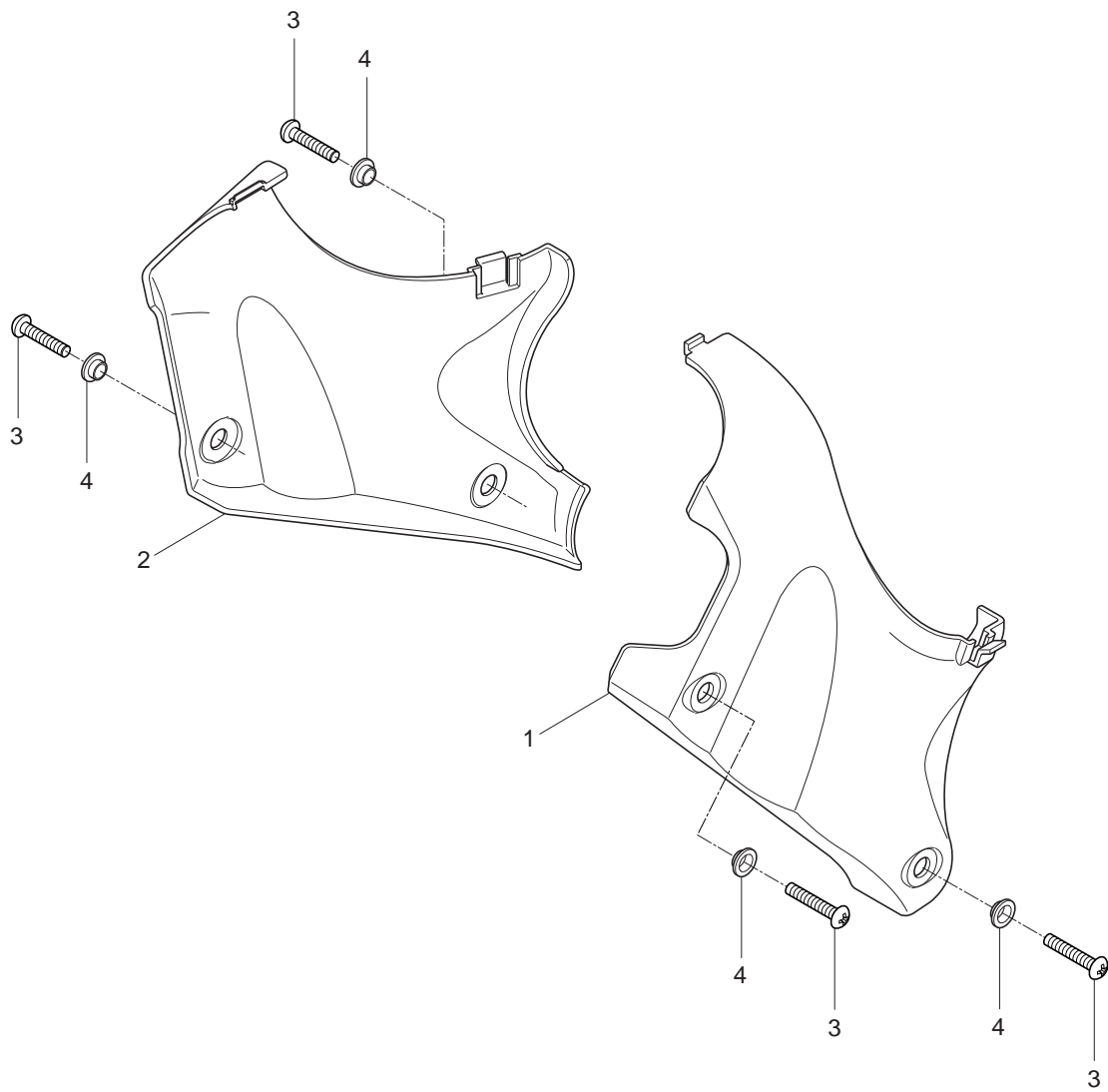


FIG 48. FRAME HEAD COVER(2008)

REF. NO.	GV250 - FI (2008)		GV250N - EI (2009)			PARTS NAME	Q'TY (PCS)	REMARKS
	7EU01/7G01/7S01	8EN01	9EU01/9F01/9G01	8EN01	9EG02			
1	47511HG5103	47511HG5103				COVER, frame head R (0MB,0PR,0WB)	1	SELECTION
2	47521HG5103	47521HG5103				COVER, frame head L (0MB,0PR,0WB)	1	SELECTION
3	02142-05125	02142-05125				SCREW, frame head cover(M5*12)	4	
4	09169-05009	09169-05009				WASHER, frame head cover	4	

FIG. 48 (2009)

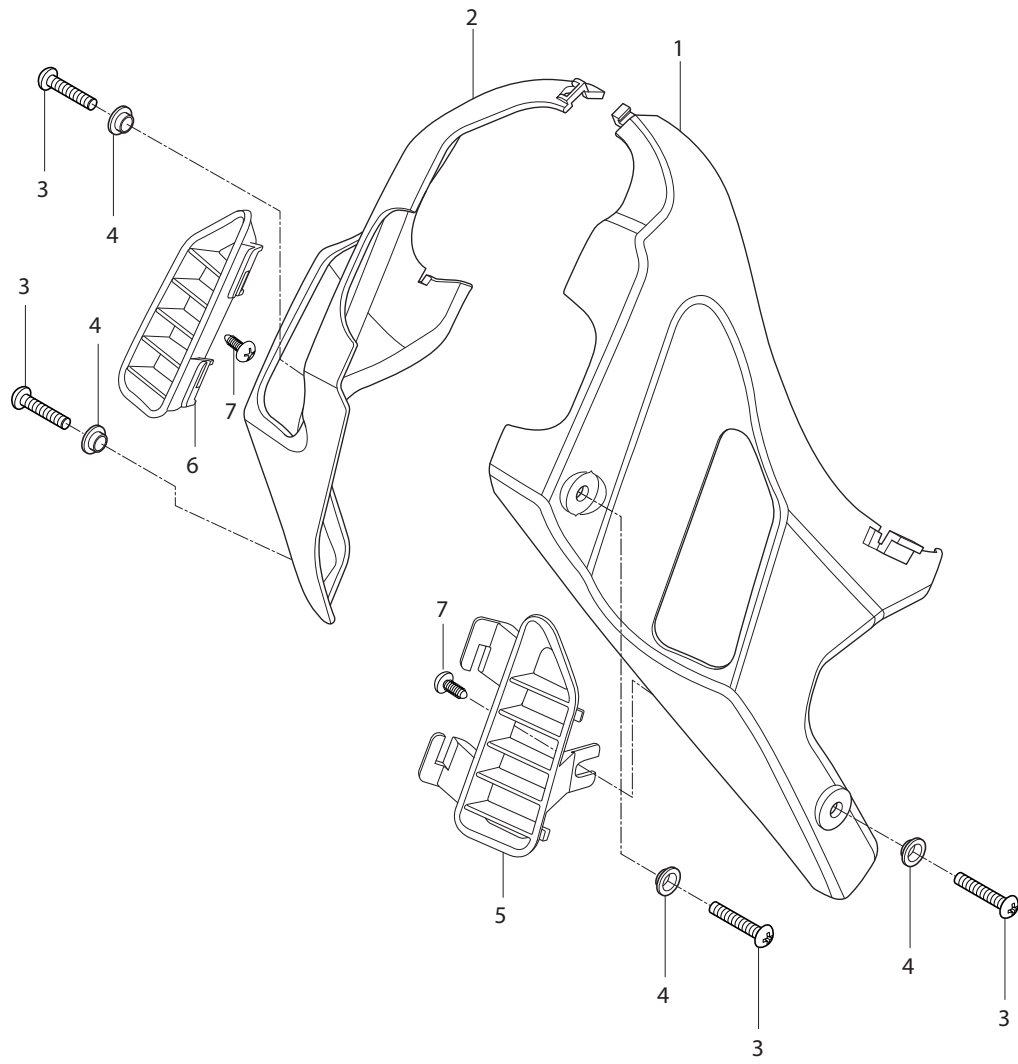
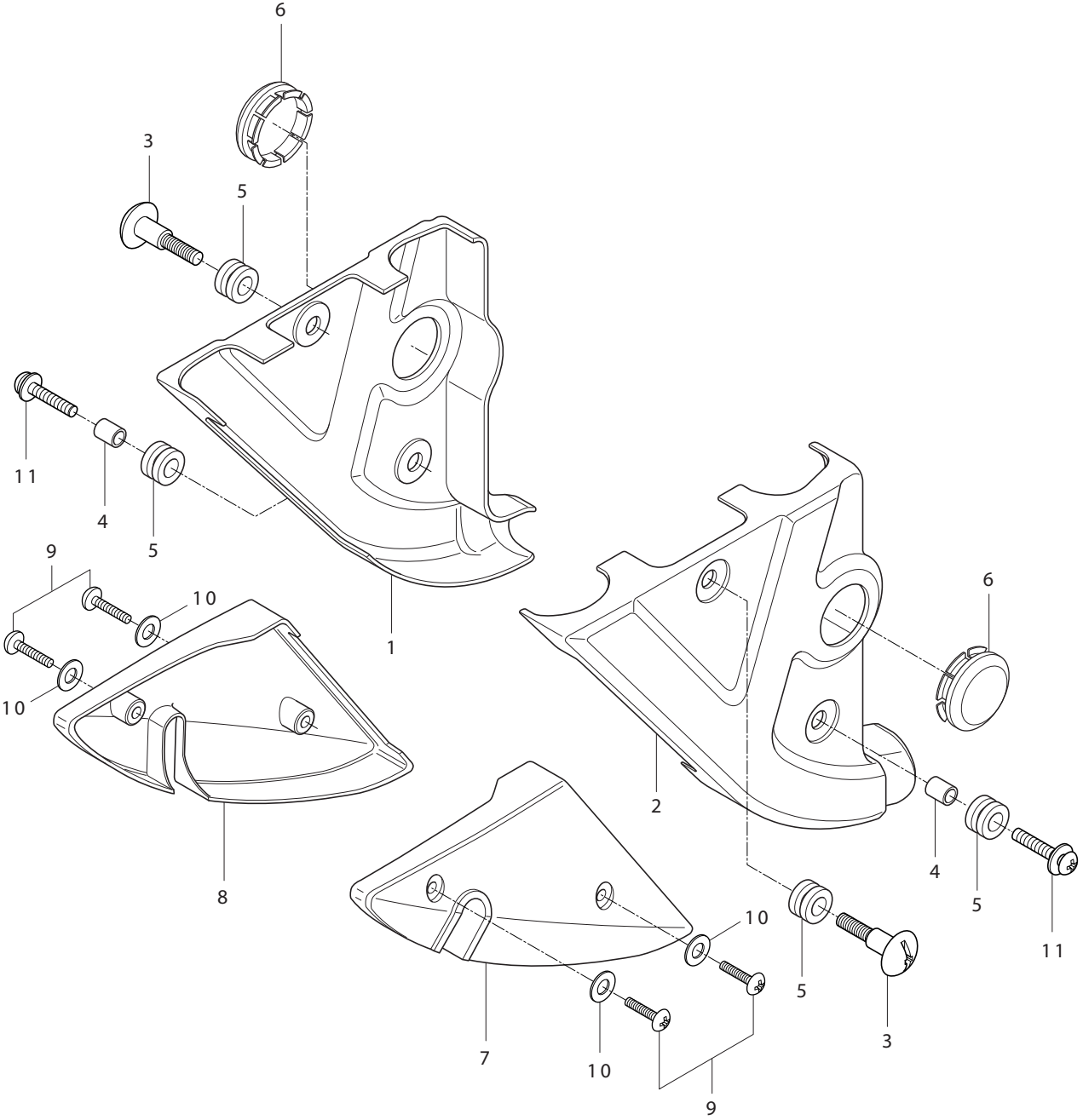


FIG 48. FRAME HEAD COVER(2009)

REF. NO.	GV250 - F1 (2008)		GV250N - E1 (2009)			PARTS NAME	Q'TY (PCS)	REMARKS
	7EU01/7G01/7S01	8EN01	9EU01/9F01/9G01	8EN01	9EG02			
1			47511H88400CBK	47511H88400CBK	47511H88400CBK	COVER, frame head R	1	MODEL 2009
2			47521H88400CBK	47521H88400CBK	47521H88400CBK	COVER, frame head L	1	MODEL 2009
3			02142-05125	02142-05125	02142-05125	SCREW, frame head cover R/L	4	MODEL 2009
4			09169-05009	09169-05009	09169-05009	WASHER, frame head cover R/L	4	MODEL 2009
5			47512H88400	47512H88400	47512H88400	GRILL, frame head cover R	1	MODEL 2009
6			47522H88400	47522H88400	47522H88400	GRILL, frame head cover L	1	MODEL 2009
7			03241-05125	03241-05125	03241-05125	SCREW, frame head cover grill	2	MODEL 2009

FIG.49



FWD

FIG 49. FRAME COVER

REF. NO.	GV250 - FI (2008)		GV250N - EI (2009)			PARTS NAME	Q'TY (PCS)	REMARKS
	7EU01/7G01/7S01	8EN01	9EU01/9F01/9G01	8EN01	9EG02			
1	47121HG5101	47121HG5101	47121HG5101	47121HG5101	47121HG5101	COVER, side lower R	1	
2	47221HG5101	47221HG5101	47221HG5101	47221HG5101	47221HG5101	COVER, side lower L	1	
3	48242HE6100	48242HE6100	48242HE6100	48242HE6100	48242HE6100	BOLT, side lower cover upper	2	
4	09180-06011	09180-06011	09180-06011	09180-06011	09180-06011	SPACER, side lower cover lower	2	
5	09320-09016	09320-09016	09320-09016	09320-09016	09320-09016	CUSHION, side lower cover	4	
6	47125HG5100	47125HG5100	47125HG5100	47125HG5100	47125HG5100	CAP, rear swingingarm pivot	2	
7	47131HG5101	47131HG5101	47131HG5101	47131HG5101	47131HG5101	COVER, side lower rear RH	1	
8	47231HG5101	47231HG5101	47231HG5101	47231HG5101	47231HG5101	COVER, side lower rear LH	1	
9	02142-05308	02142-05308	02142-05308	02142-05308	02142-05308	SCREW, side lower cover rear R/L	4	
10	08322-21058	08322-21058	08322-21058	08322-21058	08322-21058	WASHER, side lower cover rear R/L	4	
11	09136-06022	09136-06022	09136-06022	09136-06022	09136-06022	SCREW, side lower cover lower	2	